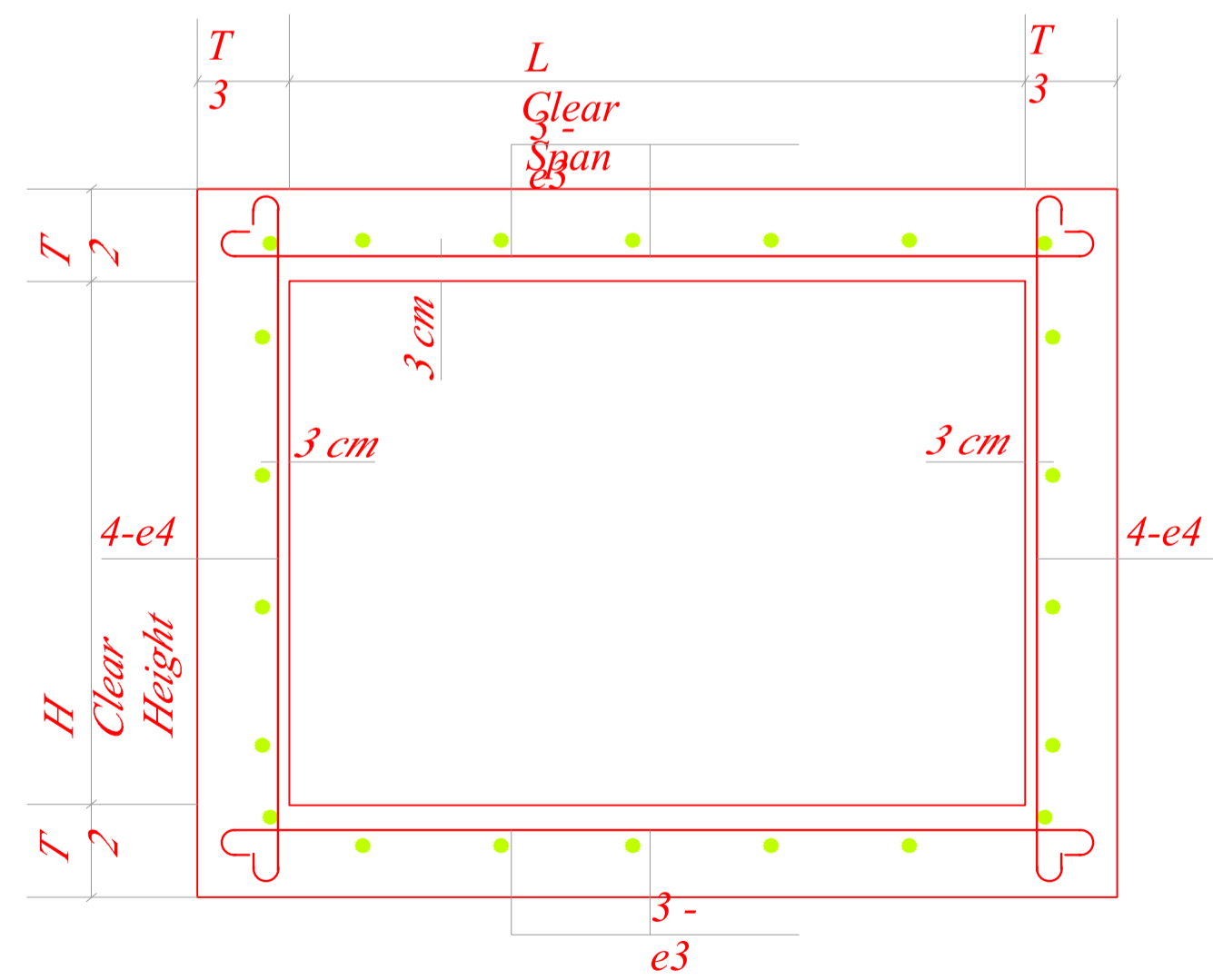
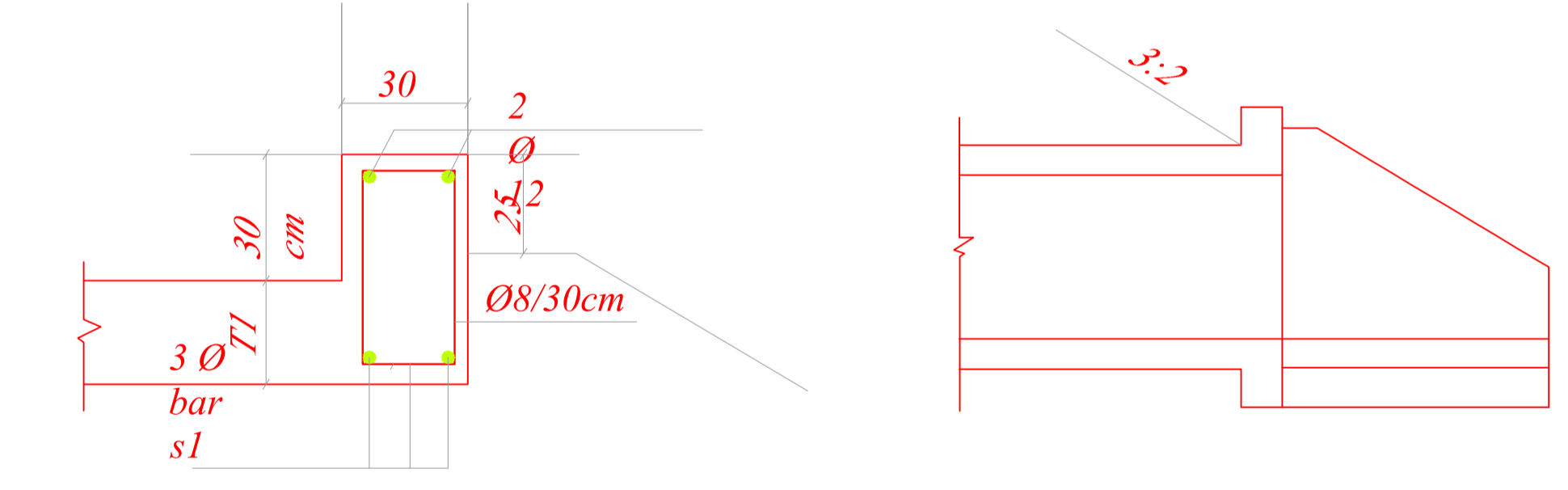


Culvert	Thicknesses					List of Reinforcing										Quantities		Thicknesses					List of Reinforcing										Quantities	
	Clear Span	Height H	Top Slab	Boff Slab	Walls T3	Ø Dia	bar Length	Steel Dia	bar Length	Spacing	Number	Spacing	Number	Spacing	Ø Dia	Concrete	Reinf. Steel	Top Slab	Boff Slab	Walls T3	Ø Dia	bar Length	Steel Dia	bar Length	Spacing	Number	Spacing	Number	Spacing	Ø Dia	Concrete	Reinf. Steel		
m	m	cm	cm	cm	mm	m	cm	mm	m	cm	cm	Number	cm	Number	cm	m ³ /m	kg/m	cm	cm	cm	mm	m	cm	mm	m	cm	cm	cm	cm	mm	m ³ /m	kg/m		
6.01 m to 9.0m Fill																	9.01 m to 12.0m																	
1.0	1.0	24	26	22	16	1.53	12.50	14	1.56	20	10	25	6	30	12	1.16	73.45	27	29	25	16	1.59	10	14	1.62	20	10	25	6	30	12	1.34	85.73	
	1.5	24	26	23	16	1.55	12.50	14	2.06	18	10	25	10	30	12	1.42	86.32	27	29	25	16	1.59	10	16	2.15	16	10	25	10	30	12	1.42	86.32	
1.5	1.0	33	35	23	18	2.08	11	1.74	20	14	25	6	30	12	1.79	116.20	38	40	25	18	2.12	10	14	1.84	20	17	20	6	30	12	1.79	116.11		
	1.5	33	36	23	18	2.08	11	1.6	2.28	20	14	25	10	30	12	2.04	134.63	38	41	25	18	2.12	10	16	2.38	15	17	20	10	30	12	2.04	136.63	
2.0	1.0	33	36	26	18	2.81	11	1.8	2.81	16	14	25	14	30	12	2.43	174.55	38	41	29	18	2.20	10	18	2.91	15	17	20	14	30	12	2.44	174.55	
	1.5	28	28	22	16	2.53	11	1.4	2.12	22	18	25	10	30	12	2.03	122.50	35	36	24	18	2.60	10.5	14	2.28	15	18	25	10	30	12	2.51	162.30	
2	2.0	28	30	24	16	2.57	11	1.4	2.64	22	18	25	14	30	12	2.40	132.92	35	37	24	18	2.60	10.5	14	2.28	15	18	25	10	30	12	2.51	162.30	
	2.5	28	30	26	16	2.61	11	1.4	3.14	17	18	25	16	30	12	2.76	151.48	35	38	26	18	2.64	10.5	14	2.29	15	18	25	14	30	12	2.88	175.60	
2.5	1.0	32	34	26	18	3.14	12	1.4	1.72	25	22	25	6	30	12	2.51	147.81	35	39	28	18	2.68	10.5	14	3.30	14	18	25	16	30	12	3.29	190.91	
	1.5	32	34	26	18	3.14	12	1.4	2.22	25	22	25	10	30	12	2.77	156.20	42	43	26	22	3.19	12	14	1.91	20	30	18	6	30	12	3.08	215.47	
3.0	2.0	32	34	28	18	3.18	12	1.4	2.72	25	22	25	14	30	12	3.17	165.92	42	44	26	22	3.19	12	16	2.45	18	30	18	10	30	12	3.38	238.90	
	2.5	32	35	28	18	3.18	12	1.4	3.23	14	22	25	16	30	12	3.45	197.15	42	45	28	22	3.23	12	16	2.96	18	30	18	14	30	12	3.78	253.37	
3.0	3.0	32	35	28	18	3.18	12	1.6	3.26	14	22	25	20	30	12	3.73	229.73	42	46	29	22	3.25	12	22	3.55	19	30	18	20	25	12	4.16	319.33	
	1.0	38	40	26	18	3.64	9	1.4	1.84	25	32	20	6	30	12	3.27	214.92	42	47	31	22	3.29	12	22	4.06	17	30	18	24	25	12	4.65	353.88	
3.0	1.5	38	40	26	18	3.64	9	1.4	2.34	25	32	20	10	30	12	3.53	223.30	50	51	30	22	3.77	10	14	2.07	19	42	15	6	30	12	4.24	293.71	
	2.0	38	40	31	18	3.74	9	1.4	2.84	20	32	20	14	30	12	4.10	242.98	50	52	30	22	3.77	10	14	2.38	19	42	15	10	30	12	4.57	303.75	
3.0	2.5	38	41	31	18	3.74	9	1.6	3.38	17	32	20	16	30	12	4.40	273.21	50	53	31	22	3.79	10	16	3.12	18	42	15	14	30	12	4.97	332.40	
	3.0	38	41	31	18	3.74	9	1.8	3.91	15	32	20	20	30	12	4.72	318.16	50	54	33	22	3.83	10	18	3.66	17	42	15	20	25	12	5.46	371.44	
																		50	55	35	22	3.87	10	22	4.22	16	42	15	24	25	12	5.99	448.75	



Typical Section



Headwall Detail & Reinforcement



RainWater Drainage Project Taebah/ baten saed		
DRAWING TITLE: BOX CULVERT PLAN , SECTION & DETAILS		
SCALE	Dimensions Are:	DRAWING NO.
1:100	IN (m)	
S.A		