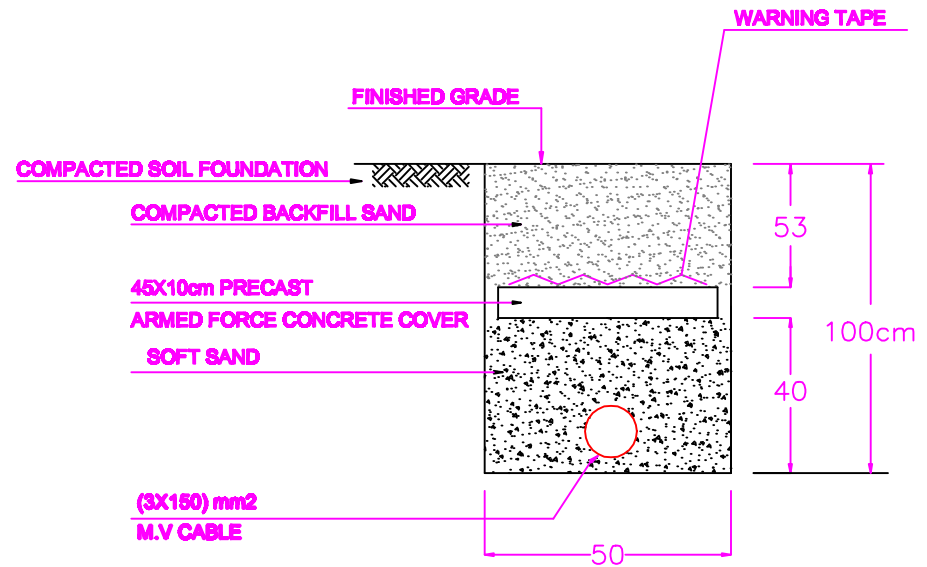
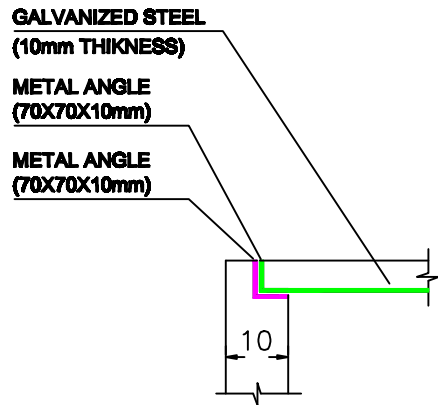


**DETAIL (A)**  
**ELECTRICAL MANHOLE AT JOINT CABLES**  
 N.T.S



**DETAIL (B)**  
**ELECTRICAL TRENCH**  
 in the Street



**DETAIL (C)**  
 NTS