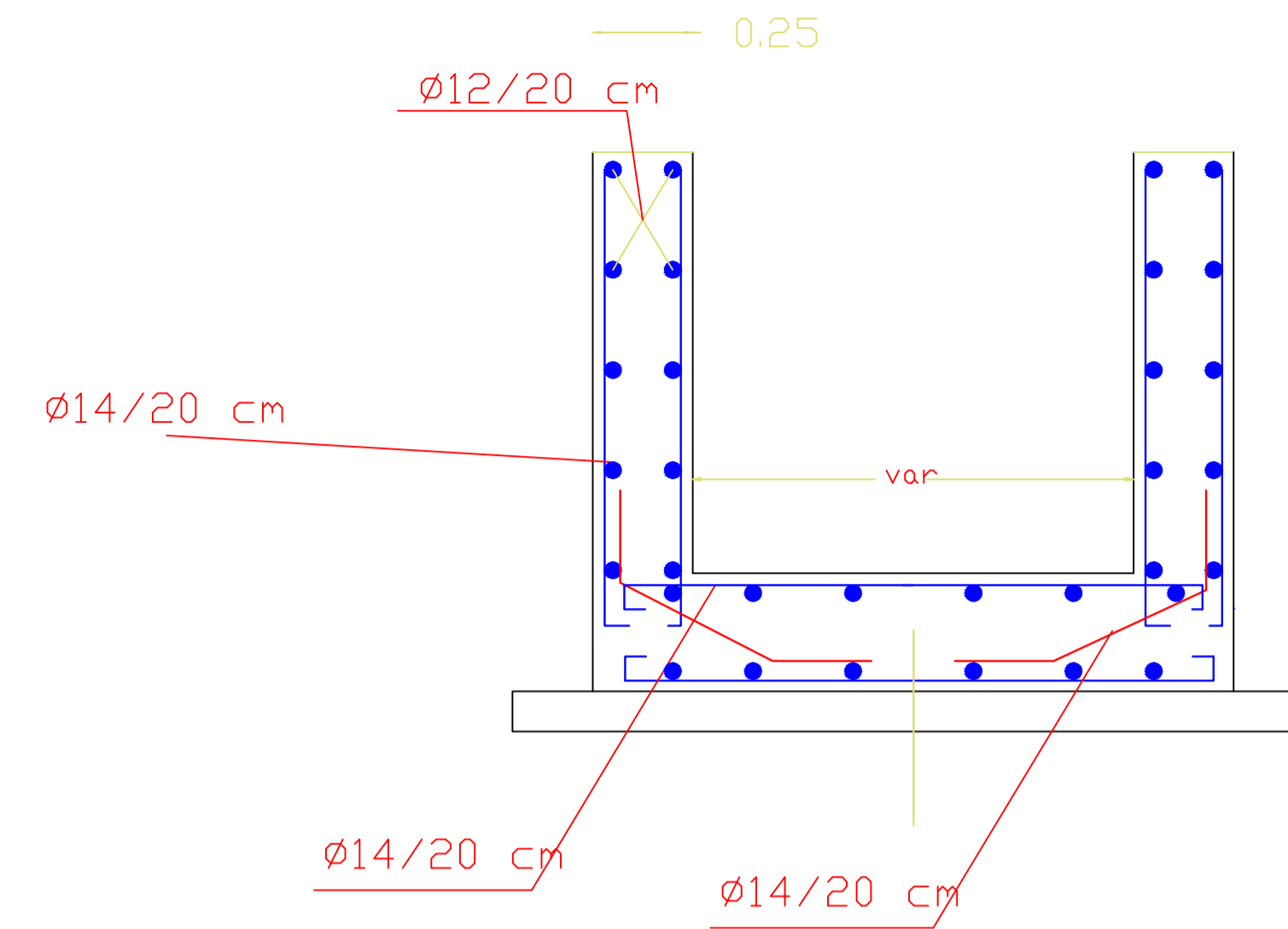
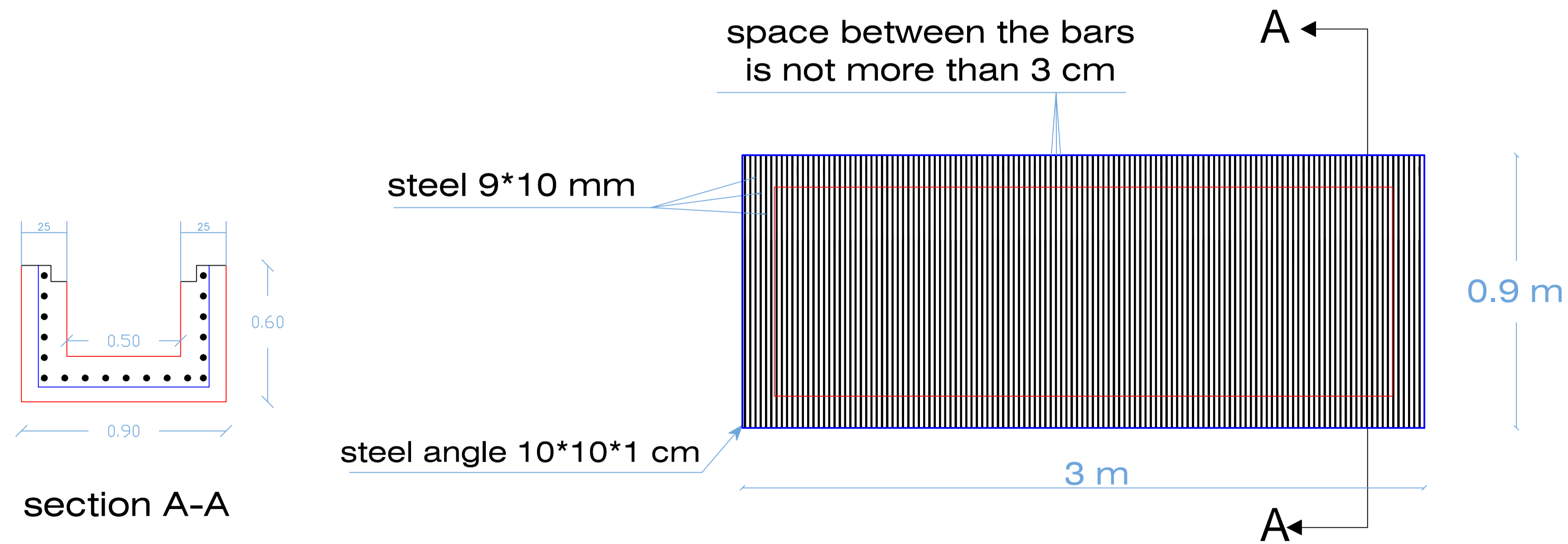


Rebrab Details



Open Channel Details



Grills Details



RainWater Drainage Project  
Taebah/ baten saed

DRAWING TITLE:  
Open Channel , Rebrab ,Grills  
DETAILS

SCALE	Dimensions Are	DRAWING NO.
1:100	IN (m)	

S.A