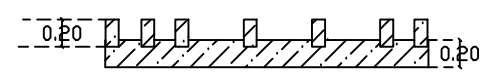
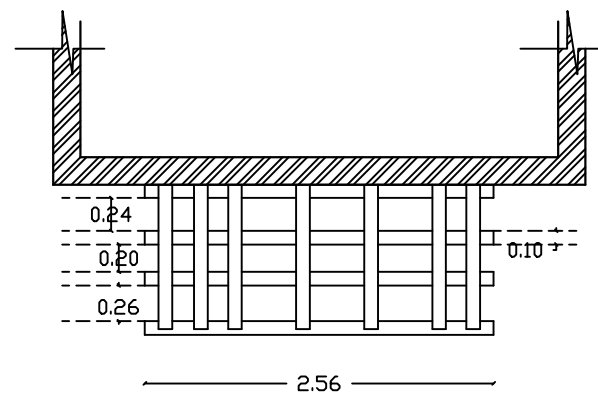
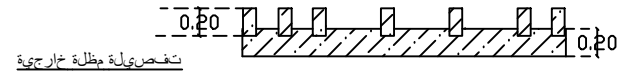
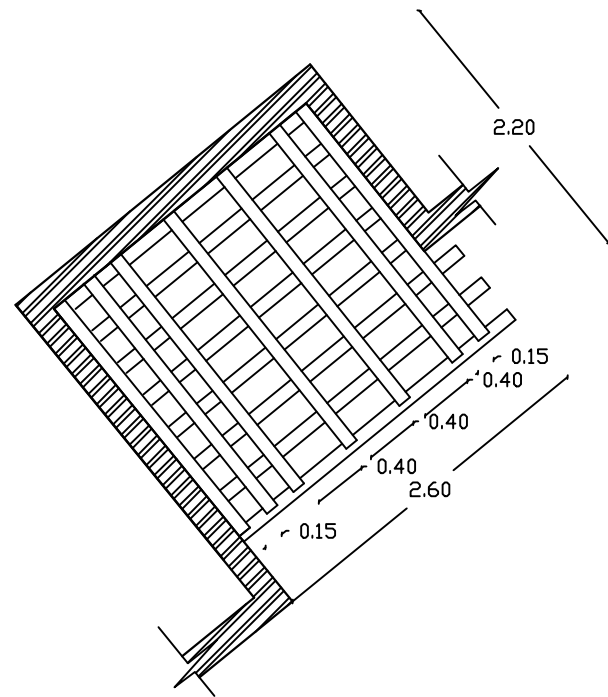


تفصيلية باب رقم (1)



Petra

Petra Development & Tourism Region Authority

Taybeh Park Baths

DRAWING TITLE:

Details

SCALE: 1:100
Dimensions are: IN (m)

DRAWING NO.

S.A