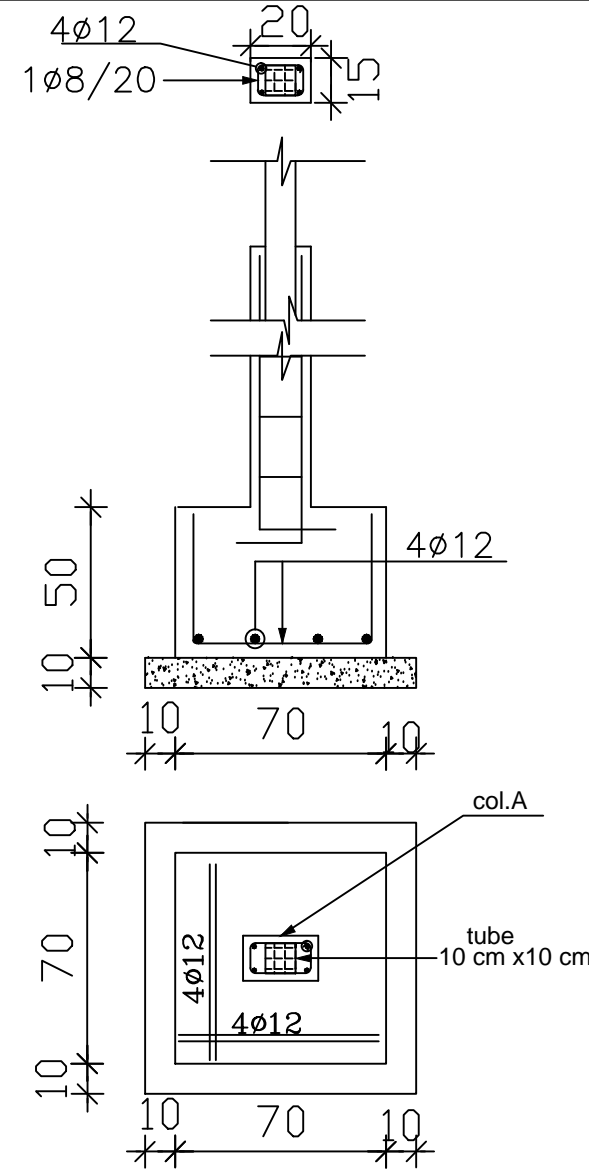


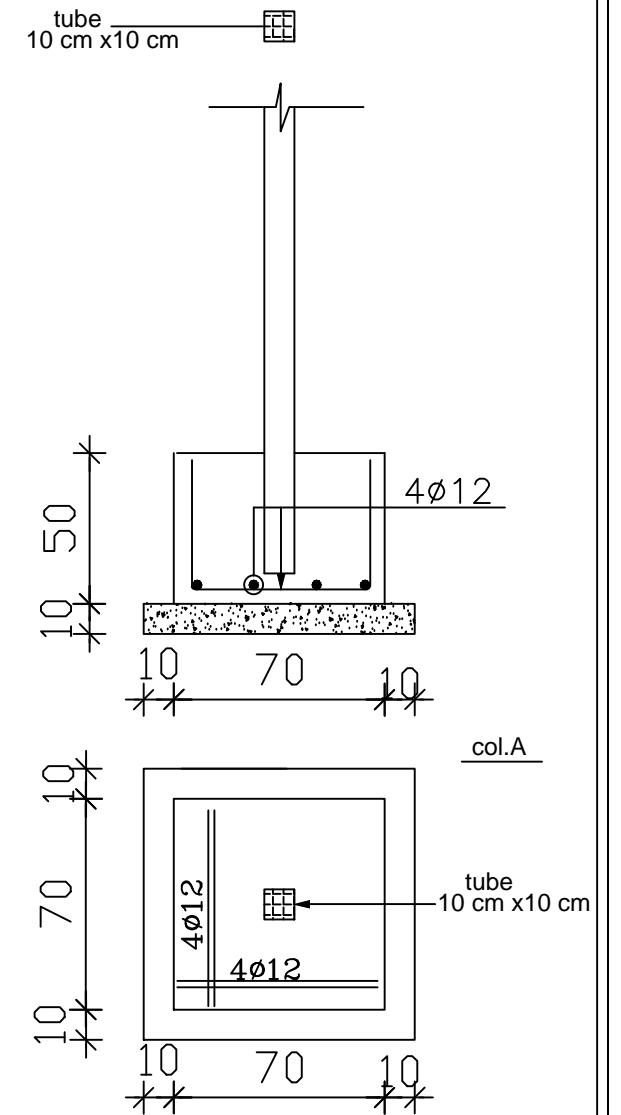
SECTION in F1, PIPE 8"

Scale 1:25



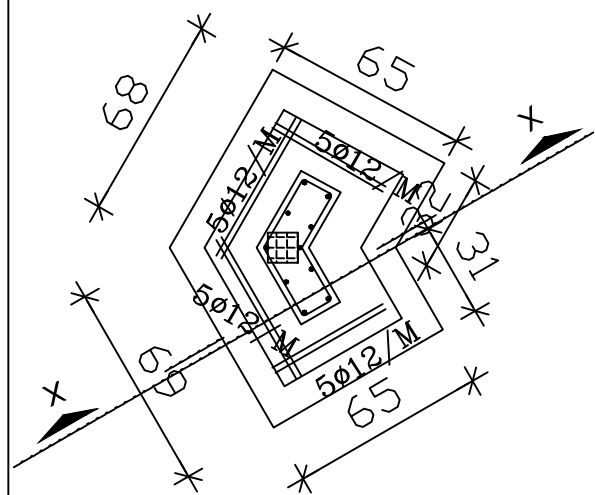
**SECTION in F2, COL.A
tube 10x10**

Scale 1:25



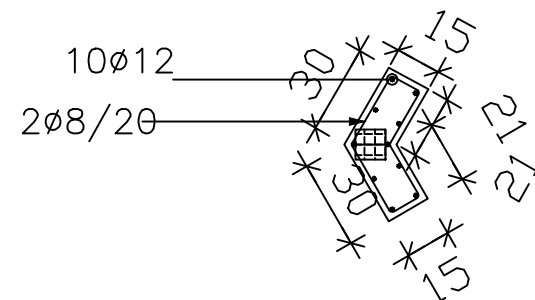
**SECTION in F2
tube 10x10**

Scale 1:25



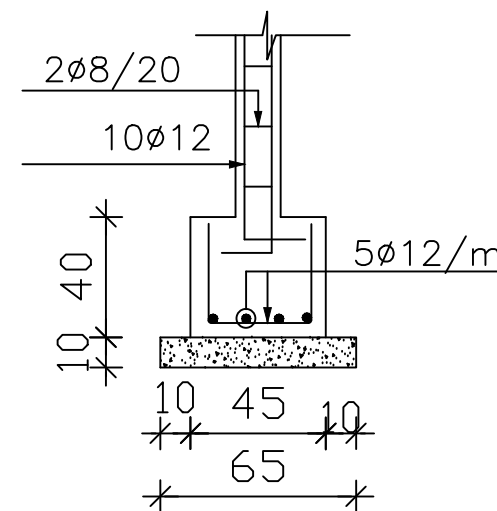
**SECTION in F3, COL.B
tube 10x10**

Scale 1:25




COL.A, tube 10x10

Scale 1:25



SECTION X-X

Scale 1:25



Petra
Petra Development & Tourism Region Authority

Horse Valley Project

DRAWING TITLE:
Foundation details

SCALE	Revision No.	DRAWING NO.

structure design
e. Bayan Aaladwan