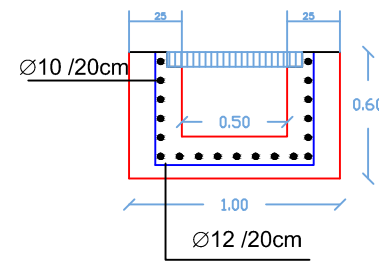
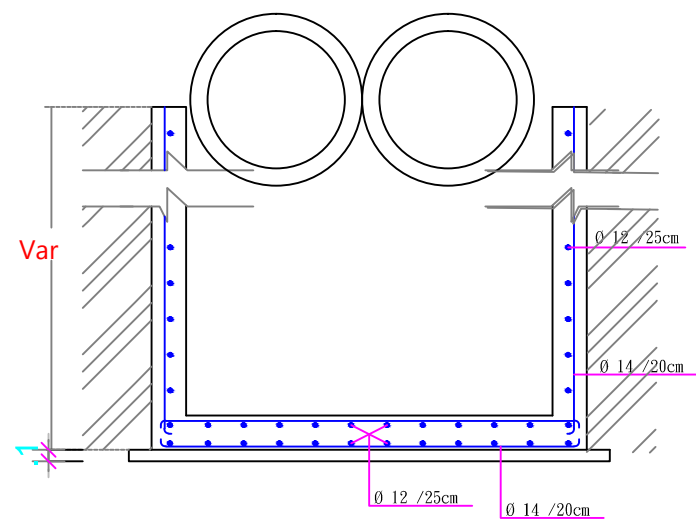
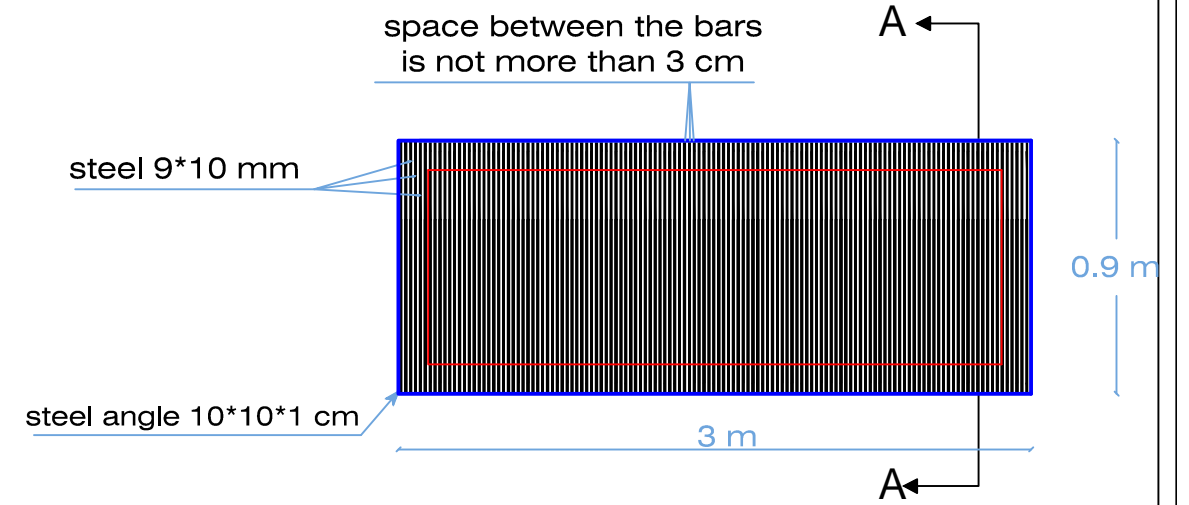


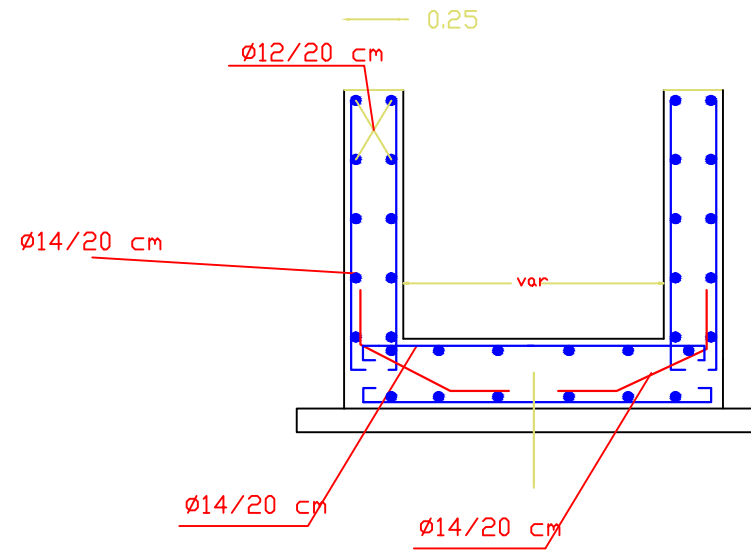
section B-B



section A-A
Grills Details



Sedimentation Tank Details



Open Channel Details



RainWater Drainage Project
Wadi Musa

DRAWING TITLE:
Open Channel Grills
DETAILS

SCALE: 1:100
Drawing No. SA

SA