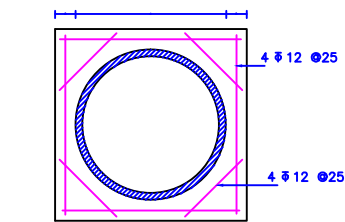
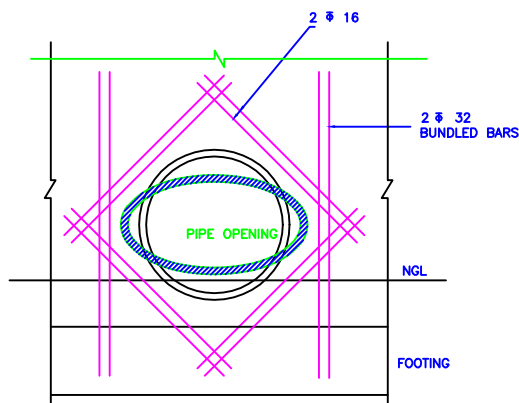


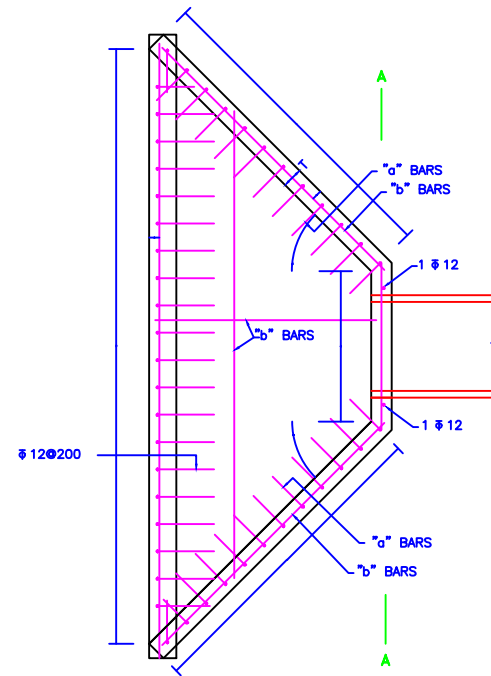
EXCAVATION AND BACKFILL OF PIPE TRENCHES AND BEDDING DETAIL



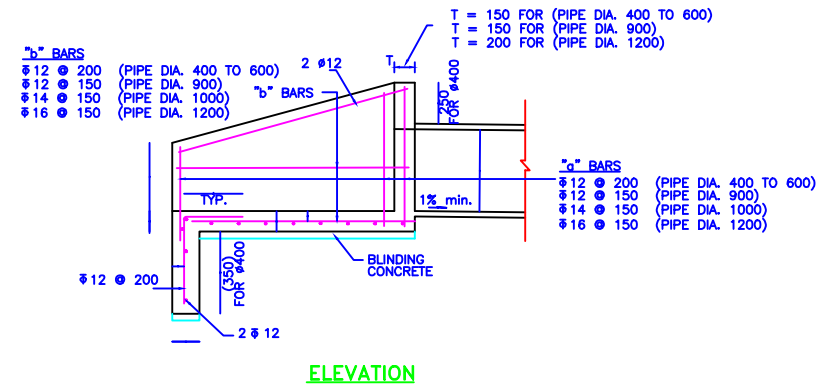
REINFORCED CONCRETE ENCASEMENT FOR PIPE CULVERT AND OUTLET PIPE



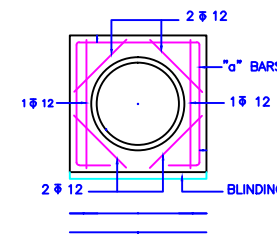
DETAIL IN RETAINING WALL AT PIPE INLET AND OUTLET



PLAN PIPE CULVERT WING WALL



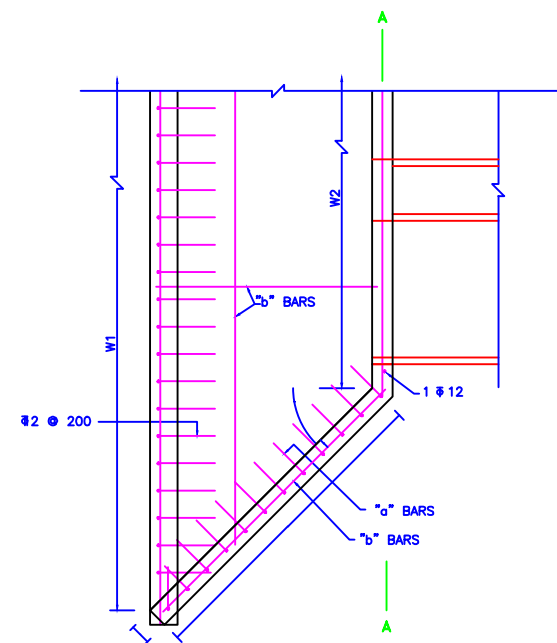
ELEVATION



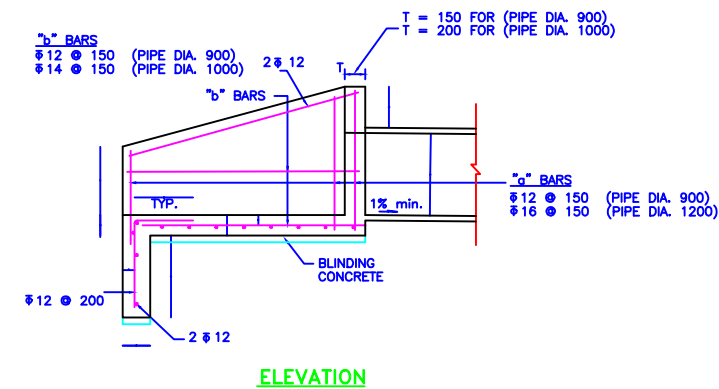
SECTION A - A

TABLE FOR SINGLE PIPE

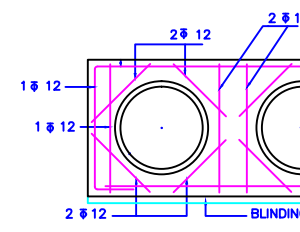
DIA. (mm.)	≤ 500	600	750	900	1000
L (cm.)	170	200	230	290	315
H (cm.)	50	50	60	70	75
W1 (cm.)	320	385	435	540	585
W2 (cm.)	90	100	110	130	140
Con. Cu. m. One Side Of Pipe	1.30	1.60	2.00	3.90	4.15



PLAN MULTIPLE PIPE CULVERT HEAD WALL SKEW 0° TO 45°



ELEVATION



SECTION A - A

TABLE FOR MULTIPLE PIPE

DIA. (mm.)	No. OF PIPES	L (cm.)	H (cm.)	W1 (cm.)	W2 (cm.)	Con. Cu. m
1000	2	315	75	735	290	4.30
	3	315	75	885	440	5.25
1200	2	370	80	865	340	5.90
	3	370	80	1045	520	7.20



RainWater Drainage Project Wadi Musa

DRAWING TITLE: PIPE CULVERT PLAN, SECTION & DETAILS

SCALE: Dimensions As SHOWN IN (m) DRAWING NO.

S.A