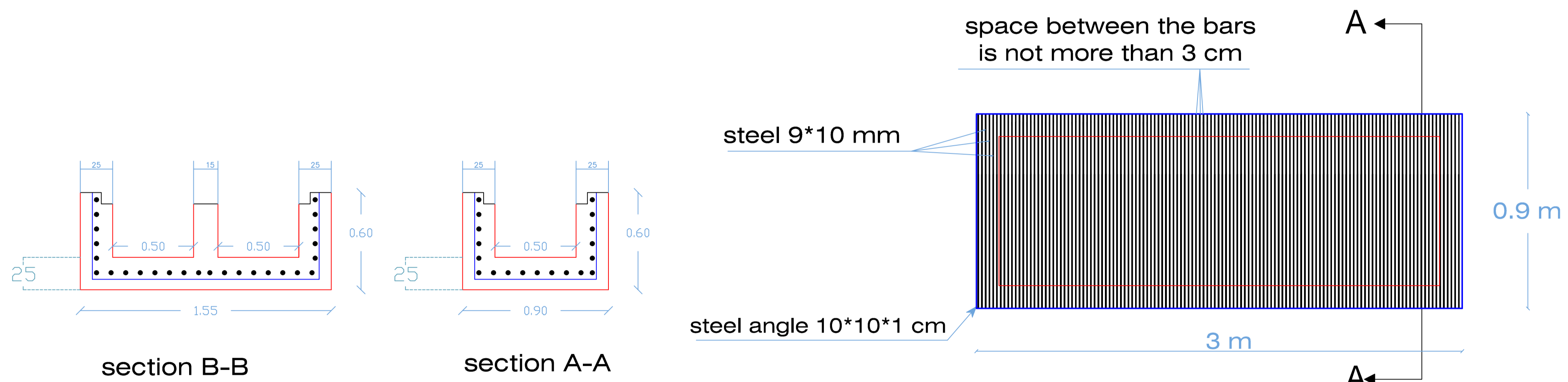


Open Channel Details



Grills Details



RainWater Drainage Project
Taebah

DRAWING TITLE:
Open Channel , Rebrab ,Grills
DETAILS

SCALE	Dimensions Are	DRAWING NO.
1:100	IN (m)	

S.A