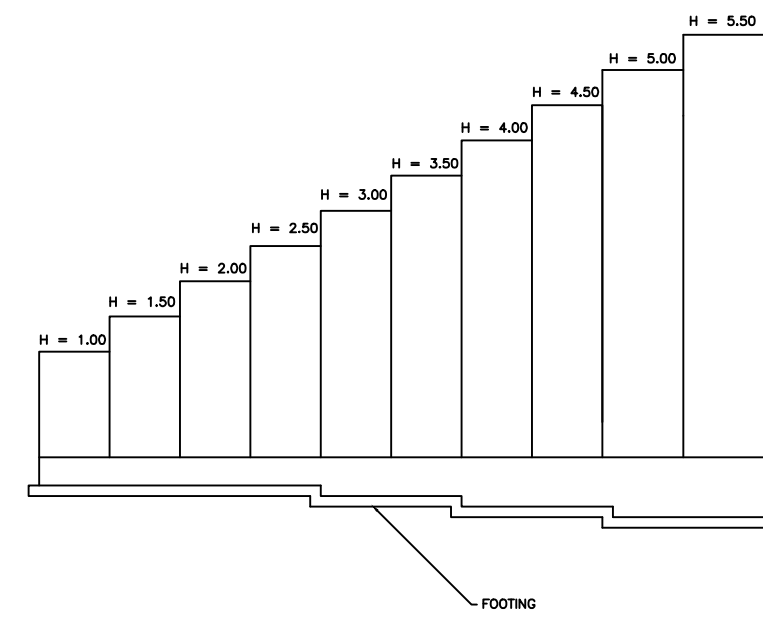
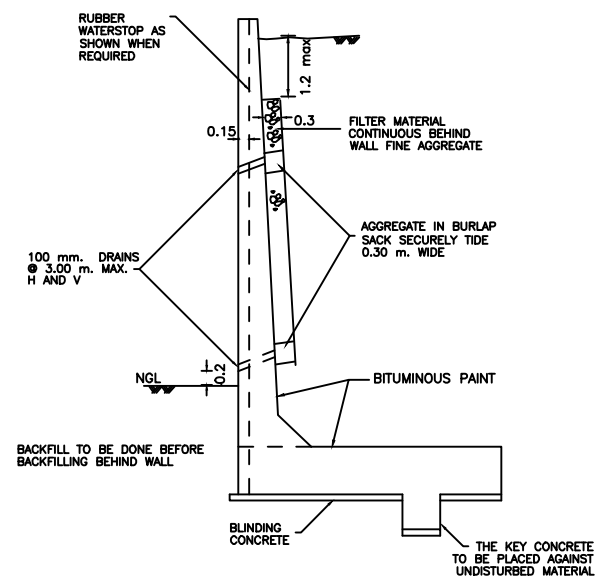
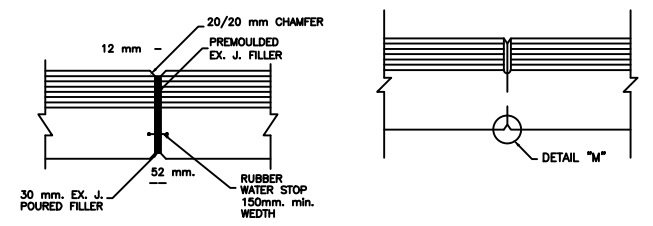


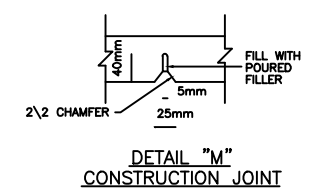
TYPICAL SECTION IN L-SHAPED RETAINING WALL



ELEVATION



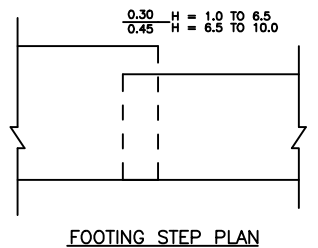
EXPANSION JOINT PLAN



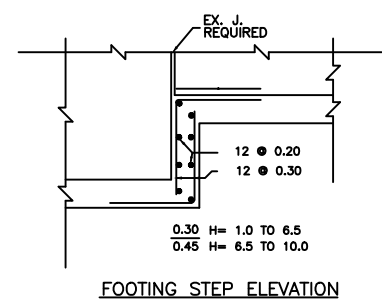
DETAIL "M" CONSTRUCTION JOINT

TABLE OF REINFORCING STEEL, DIMENSIONS AND DATA L-SHAPED RETAINING WALL												
H m.	1.0	1.5	2.0	2.5	3.0	3.5	4.0	5.0	5.5	6	6.5	
W m.	1.35	1.50	1.90	2.15	2.45	2.80	3.00	3.20	3.4	3.6		
B m.	0.25	0.25	0.25	0.30	0.35	0.40	0.45	0.50	0.55	0.60		
D m.	0.70	0.70	0.75	0.80	0.85	0.90	0.95	1.00	1.05	1.1		
M m.	0.25	0.25	0.30	0.40	0.40	0.40	0.40	0.45	0.50	0.55		
L m.	0.25	0.25	0.35	0.50	0.65	0.75	0.80	0.90	1.00	1.10		
N m.	0.20	0.20	0.20	0.30	0.30	0.30	0.30	0.35	0.40	0.45		
*a*BARS	10/15	10/12.5	10/12.5	12/15	12/15	14/17.5	14/15	14/12.5	14/10	16/12.5		
*b*BARS	10/15	10/12.5	10/12.5	12/15	14/15	16/17.5	16/15	16/12.5	16/10	18/12.5		
*c*BARS	10/15	10/12.5	10/12.5	12/15	14/15	16/15	18/15	18/12.5	20/10	25/12.5		
*d*BARS	-	-	-	10/20	10/20	12/20	12/20	14/20	16/20	16/20		
CONCRETE Cu M Per m run												

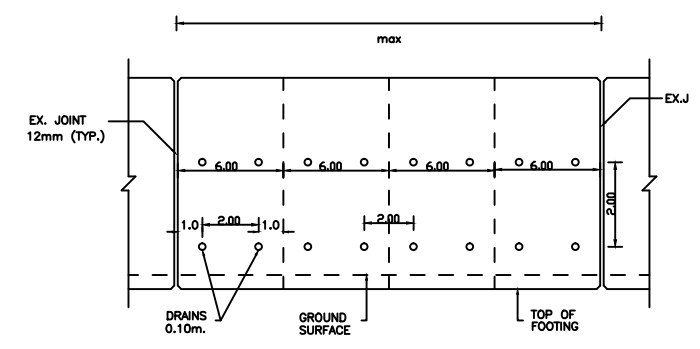
- BAR SIZES ARE IN MILLIMETERS.  
- BARE SPACINGS ARE IN CENTIMETERS.  
- ALLOWABLE BEARING SOIL PRESSURE  $q_u = 2\text{Kg/cm}^2$



FOOTING STEP PLAN



FOOTING STEP ELEVATION



ELEVATION



<b>RainWater Drainage Project Wadi Musa II</b>		
DRAWING TITLE: <b>L-SHAPED RETAINING WALL DETAILS</b>		
SCALE:	Dimensions As:	DRAWING NO.
1:100	IN (m)	
S.A		