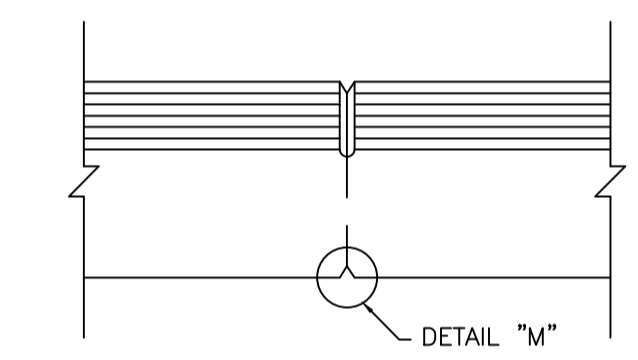
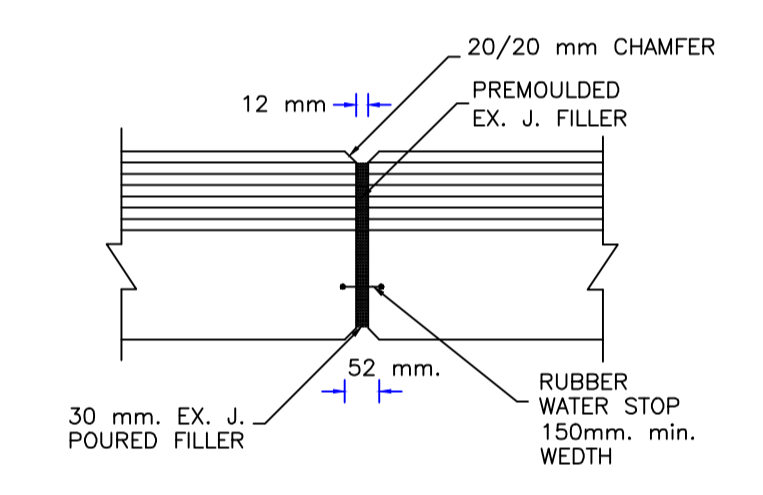
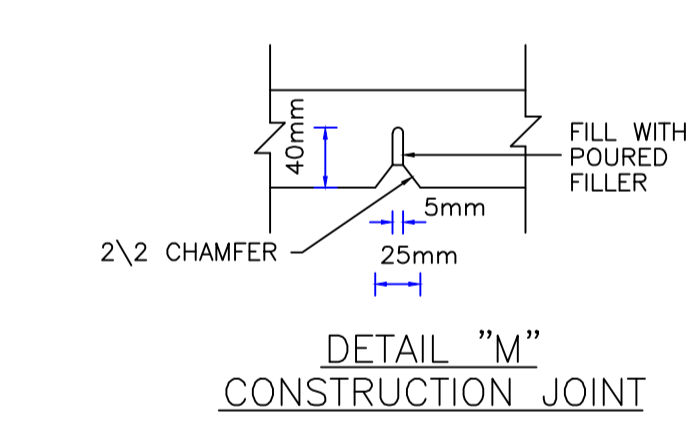


TYPICAL SECTION IN L-SHAPED RETAINING WALL

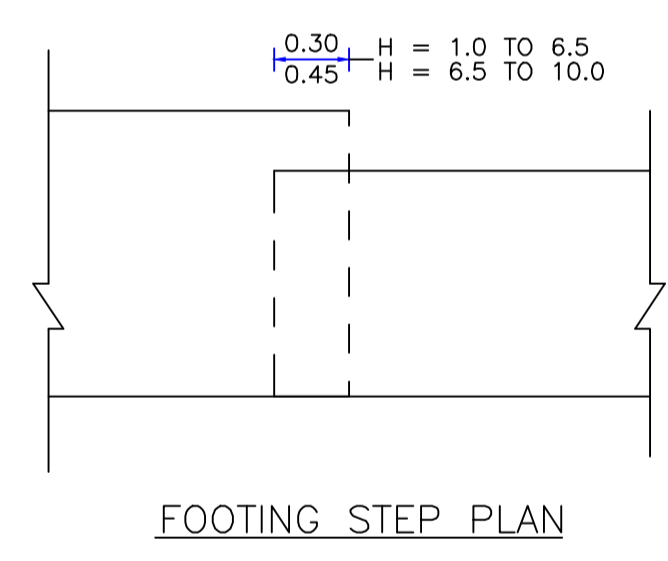


EXPANSION JOINT PLAN

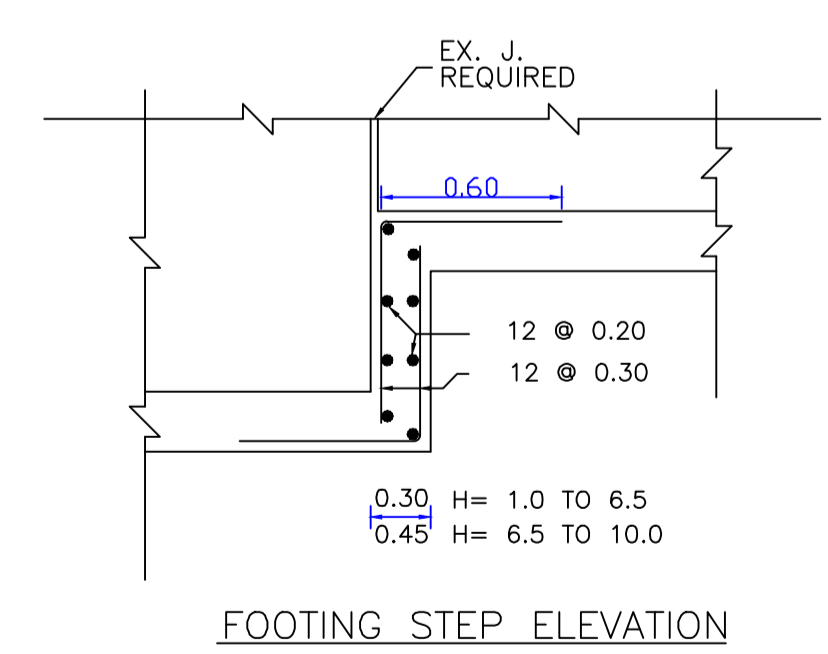


DETAIL "M" CONSTRUCTION JOINT

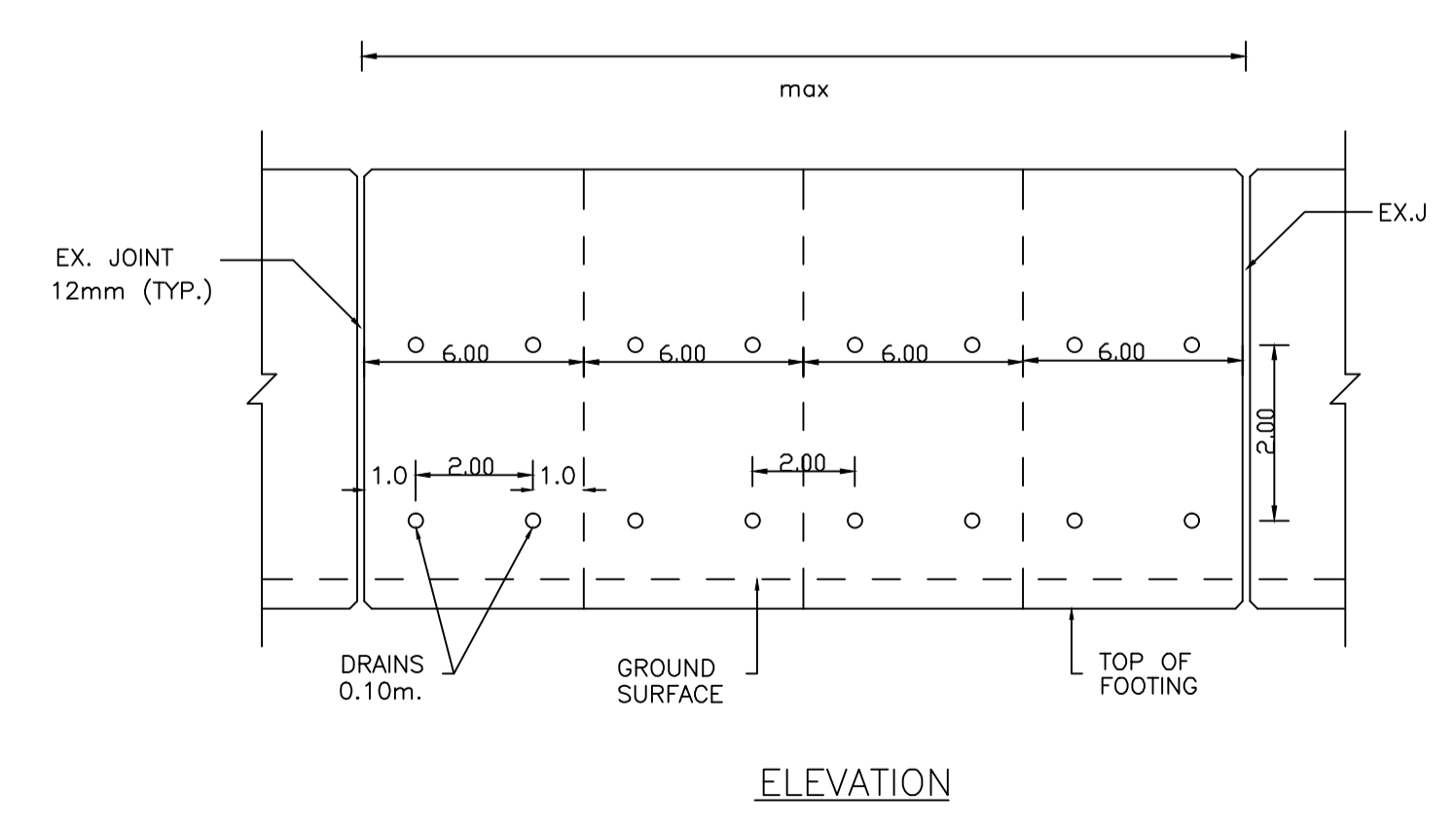
TABLE OF REINFORCING STEEL, DIMENSIONS AND DATA L-SHAPED RETAINING WALL									
H m.	1.0	1.5	2.0	2.5	3.0	3.5	4.0	4.5	5.0
W m.	1.35	1.50	1.90	2.15	2.45	2.80	3.00	3.20	3.20
B m.	0.25	0.25	0.25	0.30	0.35	0.40	0.45	0.50	0.50
D m.	0.70	0.70	0.75	0.80	0.85	0.90	0.95	1.00	1.00
M m.	0.25	0.25	0.30	0.40	0.40	0.40	0.40	0.45	0.45
L m.	0.25	0.25	0.35	0.50	0.65	0.75	0.80	0.90	0.90
N m.	0.20	0.20	0.20	0.30	0.30	0.30	0.30	0.30	0.35
"a" BARS	10/15	10/12.5	10/12.5	12/15	12/15	14/17.5	14/15	14/12.5	14/12.5
"b" BARS	10/15	10/12.5	10/12.5	12/15	14/15	16/17.5	16/15	16/15	16/12.5
"c" BARS	10/15	10/12.5	10/12.5	12/15	14/15	16/15	18/15	18/12.5	18/12.5
"d" BARS	-	-	-	10/20	10/20	12/20	12/20	14/20	14/20
CONCRETE								2.98	3.75
Cu M Per m run								3.10	3.95



FOOTING STEP PLAN



FOOTING STEP ELEVATION



ELEVATION

- BAR SIZES ARE IN MILLIMETERS.
- BARE SPACINGS ARE IN CENTIMETERS.
- ALLOWABLE BEARING SOIL PRESSURE $q_u = 2\text{Kg/cm}^2$



RainWater Drainage Project Taebah/ baten saed		
DRAWING TITLE: L-SHAPED RETAINING WALL DETAILS		
SCALE:	Dimensions Are:	DRAWING NO.
1:100	IN (m)	
S.A		