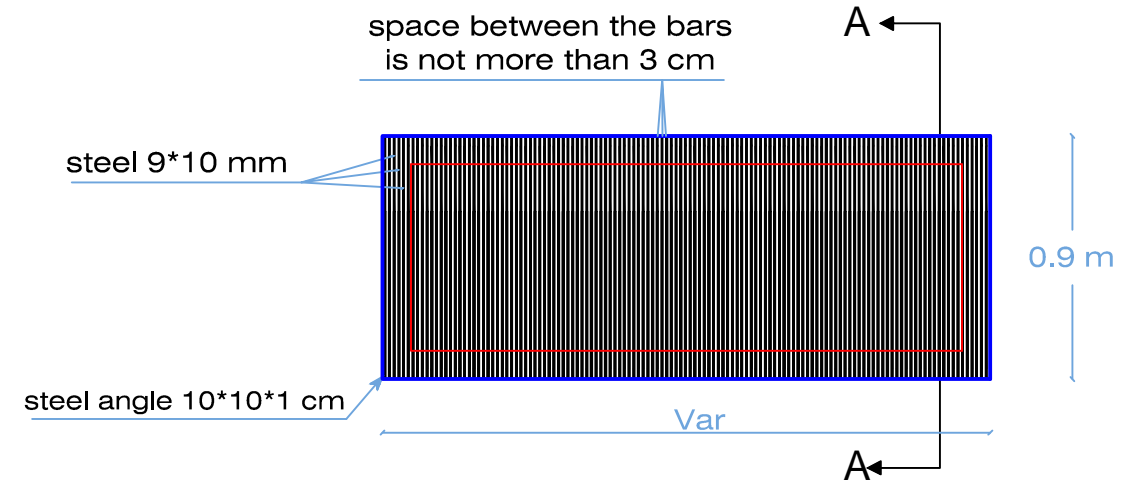
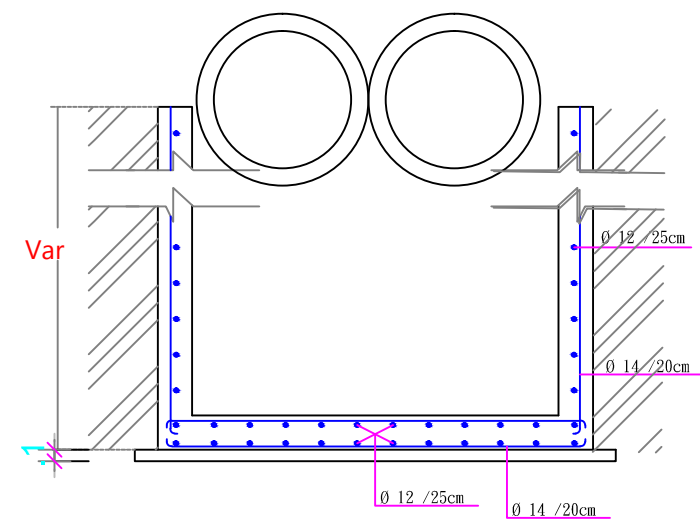


section A-A



Grills Details



Sedimentation Tank Details



RainWater Drainage Project
Wadi Musa II

DRAWING TITLE

DETAILS

SCALE	Dimension	Unit	DRAWING NO.
1:100	IN (m)		

S.A