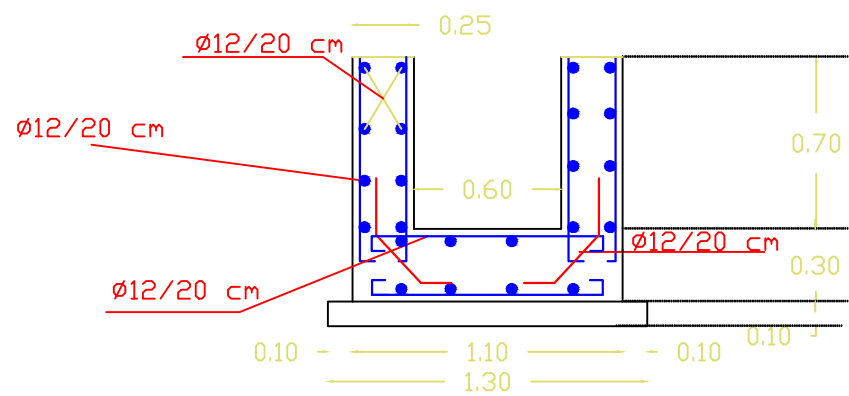
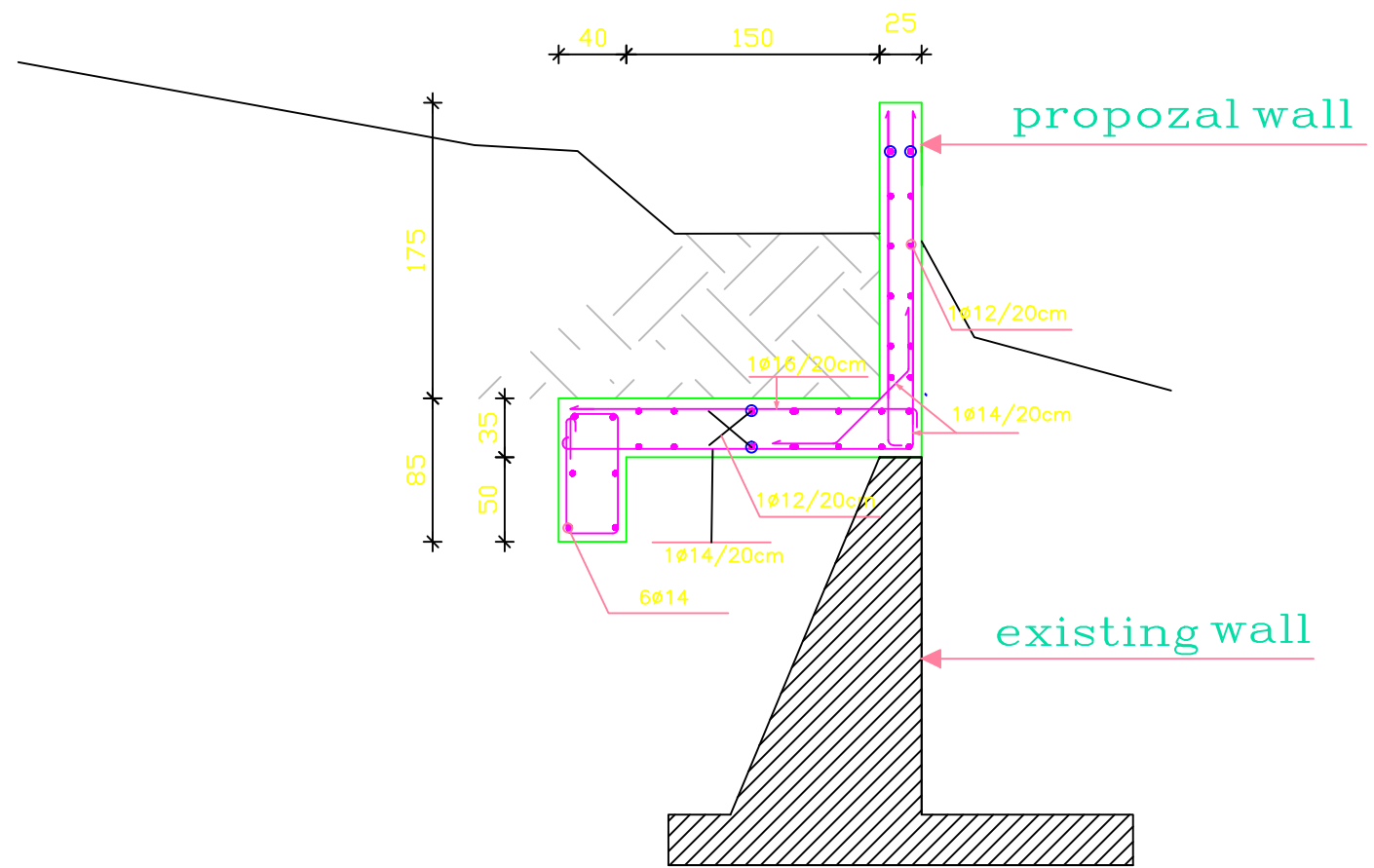


Open Channel Details
(TYPE 1)



Open Channel Details
(TYPE 2)



L-Shape Wall



RainWater Drainage Project
Wadi Musa II

DRAWING TITLE

DETAILS

SCALE	Dimension	Unit	DRAWING NO.
1:100	IN	(m)	

S.A