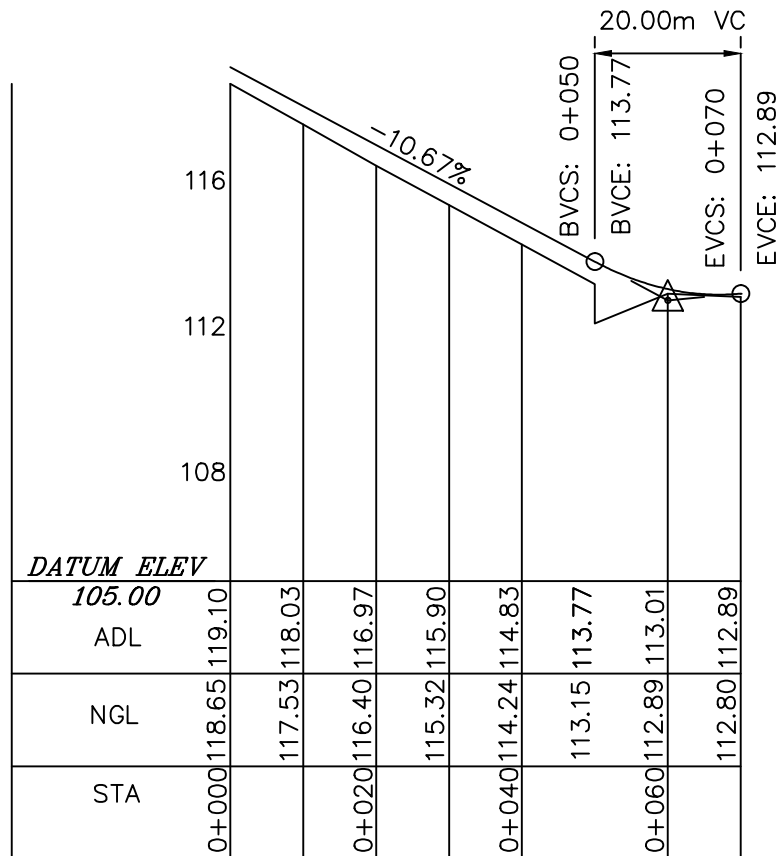


# PROFIL ROAD ZAY9

LOW POINT ELEV = 112.86  
 LOW POINT STA = 0+066.98  
 PVI STA = 0+060  
 PVI ELEV = 112.70



Petra Development & Tourism Region Authority

Rehabilitation of street  
 Basent / Qarara

PROFILE ROAD 019