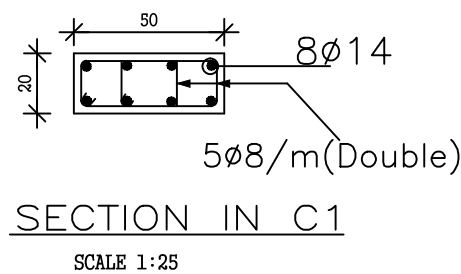
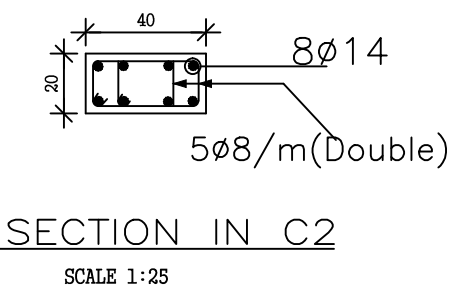


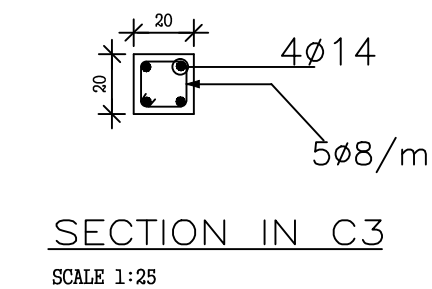
LONGITUDINAL SECTION IN C1  
SCALE 1:25



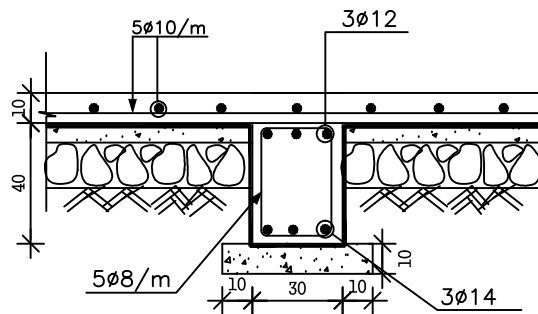
SECTION IN C1  
SCALE 1:25



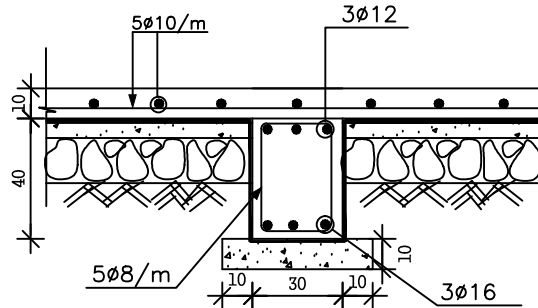
SECTION IN C2  
SCALE 1:25



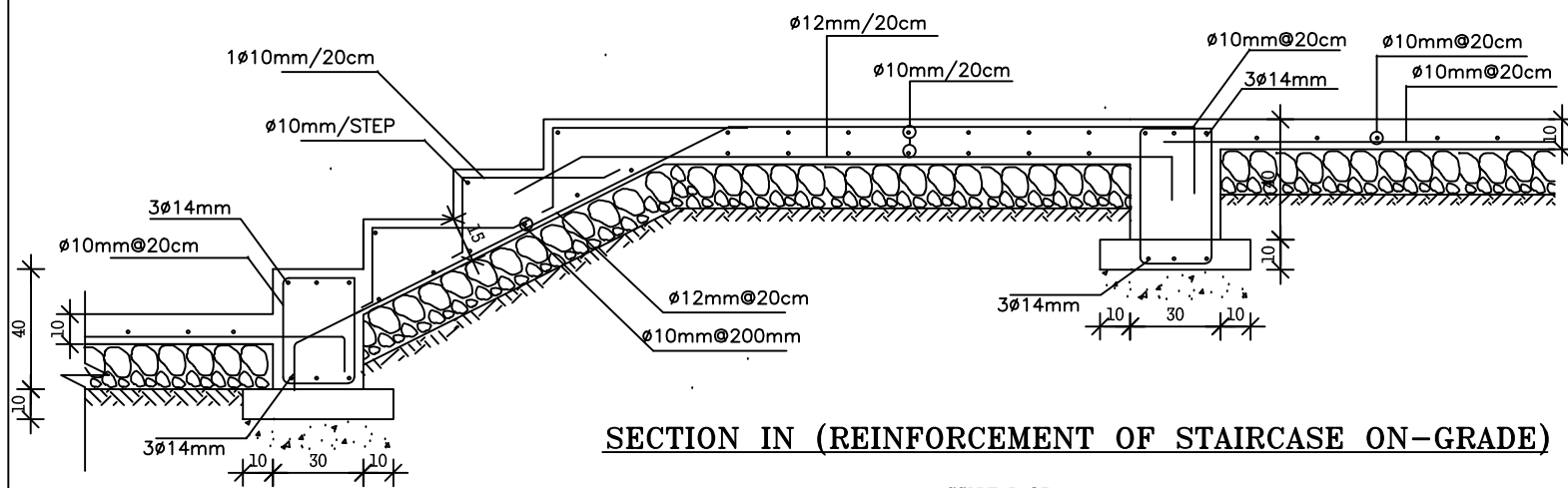
SECTION IN C3  
SCALE 1:25



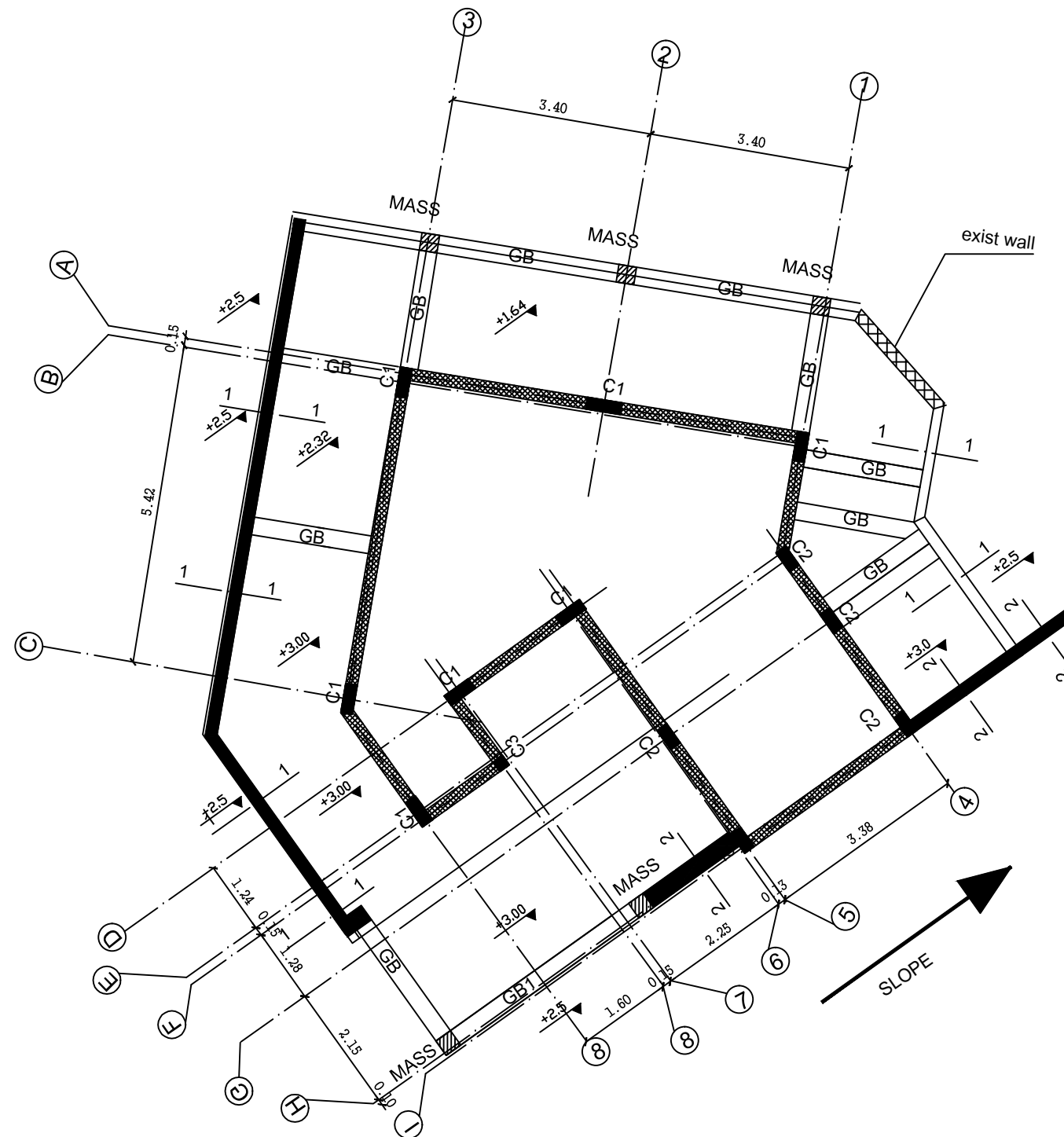
SECTION IN GB  
Scale 1:25



SECTION IN GB1  
L=4.5M  
Scale 1:25



SECTION IN (REINFORCEMENT OF STAIRCASE ON-GRADE)  
SCALE 1:25



COLUMN & AXES PLAN  
Scale 1:100



Petra

Petra Development & Tourism Region Authority

Taybeh Park Baths

DRAWING TITLE:  
column plan & details

SCALE: 1:100 DRAWING NO.

structure design e.Bayan Aaladwan