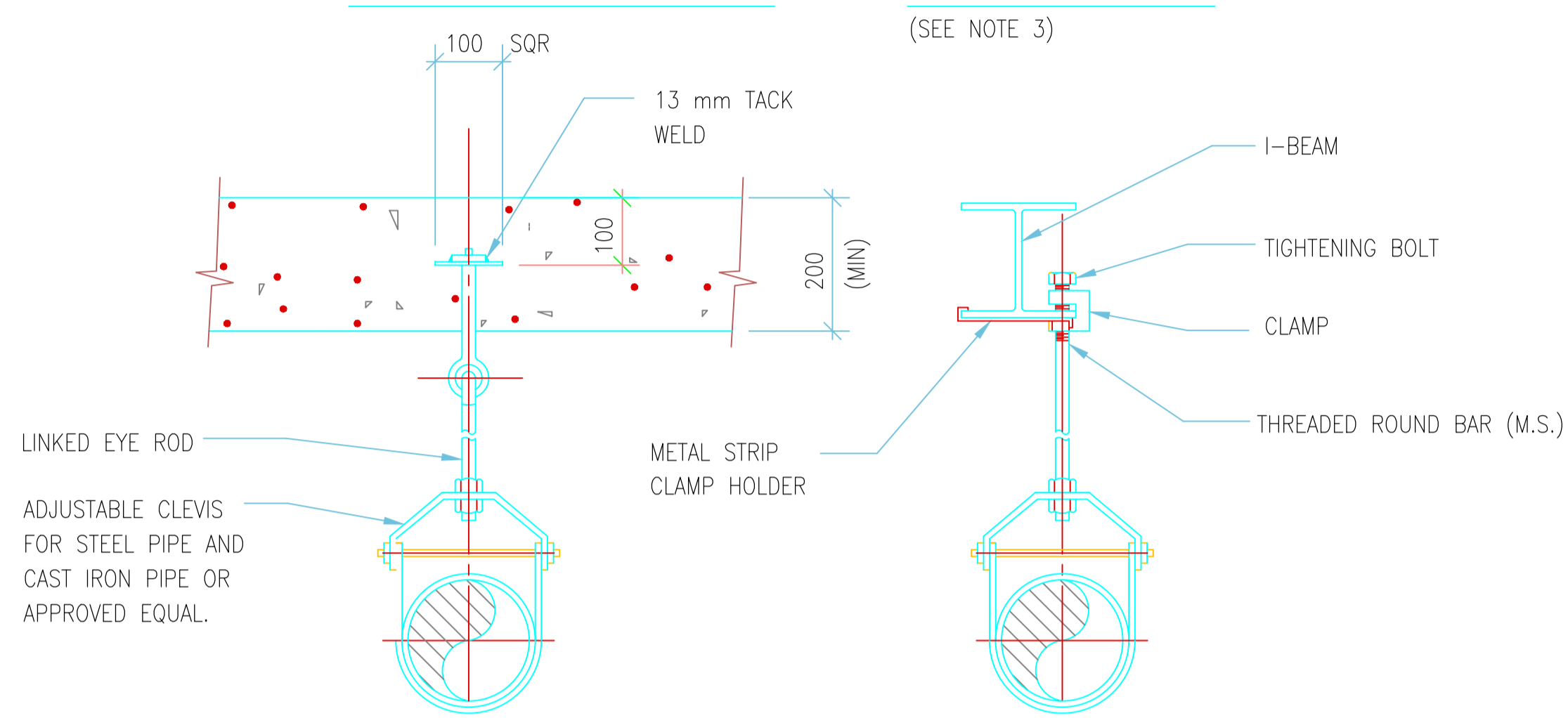


TYPICAL DETAILS MECHANICAL

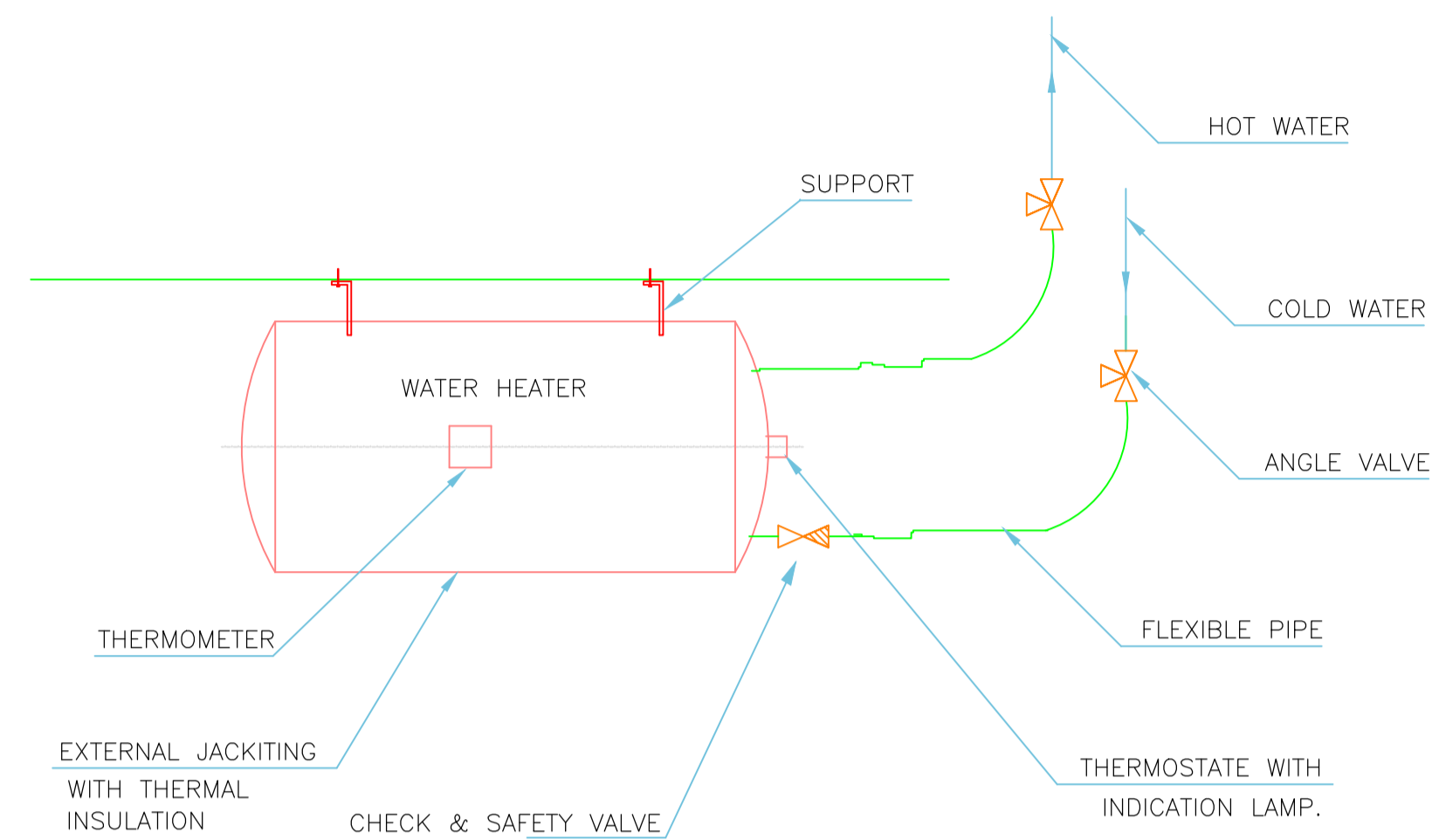
FOR HANGER RODS 22Ø
AND LARGER AND MINIMUM
200 mm THICK CONCRETE

STEEL STRUCTURE
(SEE NOTE 3)

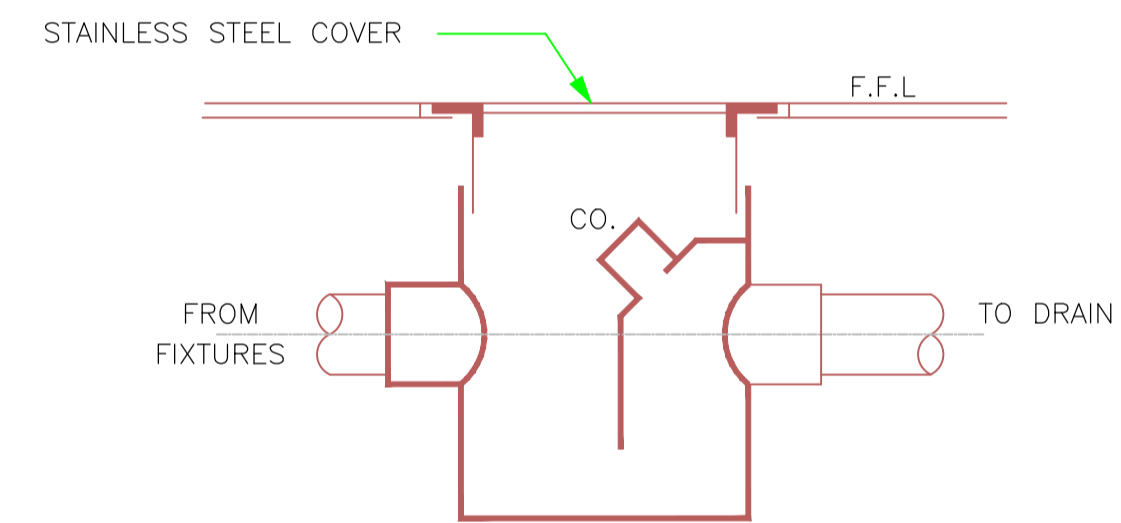


PIPE DIA. (mm)	ROD DIA. (mm)	MAX. SUPPORT SPACING (M)	
		STEEL PIPE	CAST IRON PIPE
25 & SMALLER	9	1.80	1.50
31 TO 50	9	2.70	1.50
63 TO 88	13	3.60	1.50
100 TO 125	16	4.20	1.50
150, 200	19	4.80	1.50
250, 300	22	5.40	-
350, 400	25	6.00	-

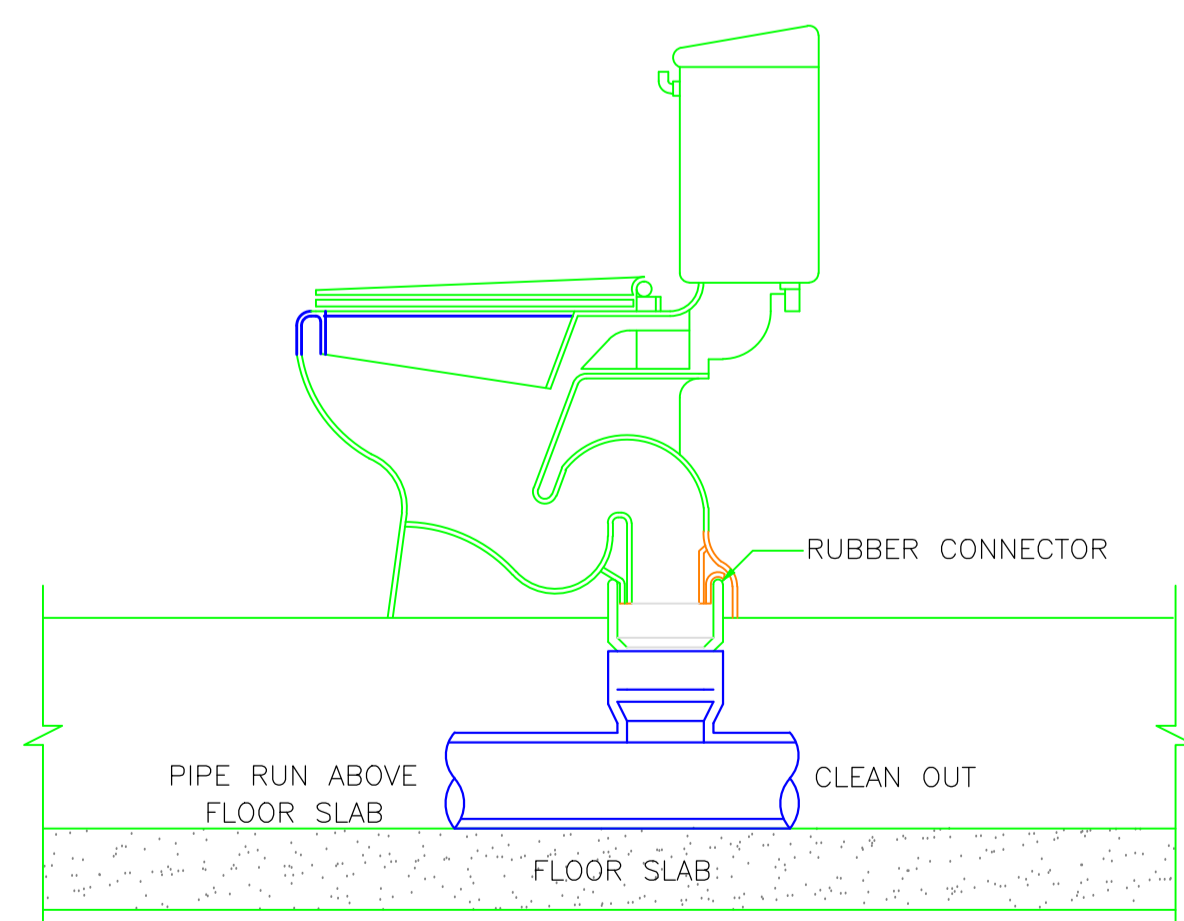
PIPE HANGER DETAILS



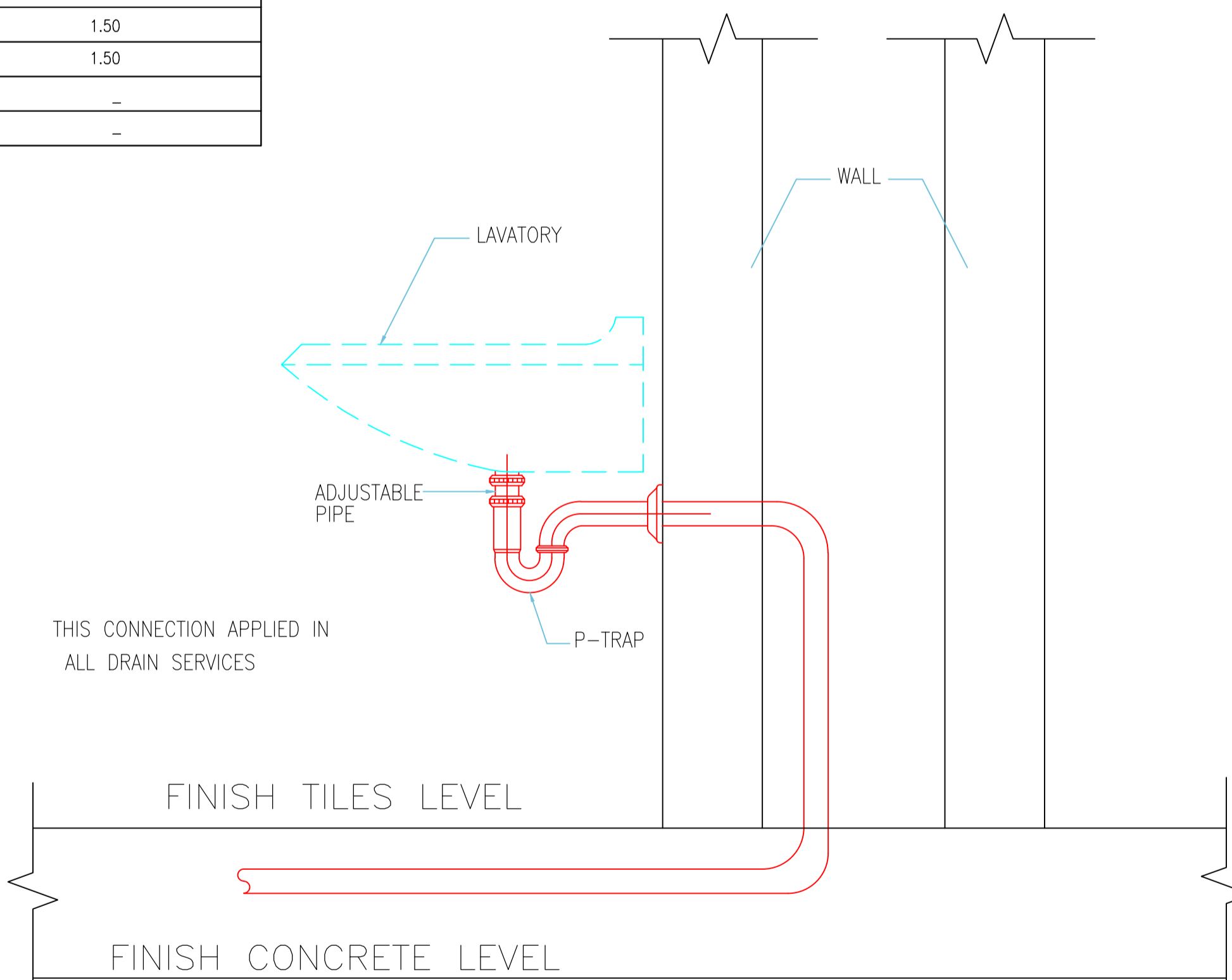
STORAGE ELECTRIC HOT WATER HEATER



FLOOR DRAIN FD



SOIL PIPE RUN ABOVE FALSE
CEILING OF LOWER FLOORS



LAVATORY CONNECTION DRAIN DETAIL
N.T.S.

NOTES :

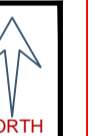
BY	DATE	SUBJECT	REV

Review/Verification Validation

Stage: II III IV A B CONSTRUCTION DOCUMENT

Date: 0000-2012

KEY PLAN



CLIENT
Petra
Petra Development & Tourism Region Authority
HASMITE KINGDOM OF JORDAN
PDTRA PETRA DEVELOPMENT TOURISM
REGION AUTHORITY

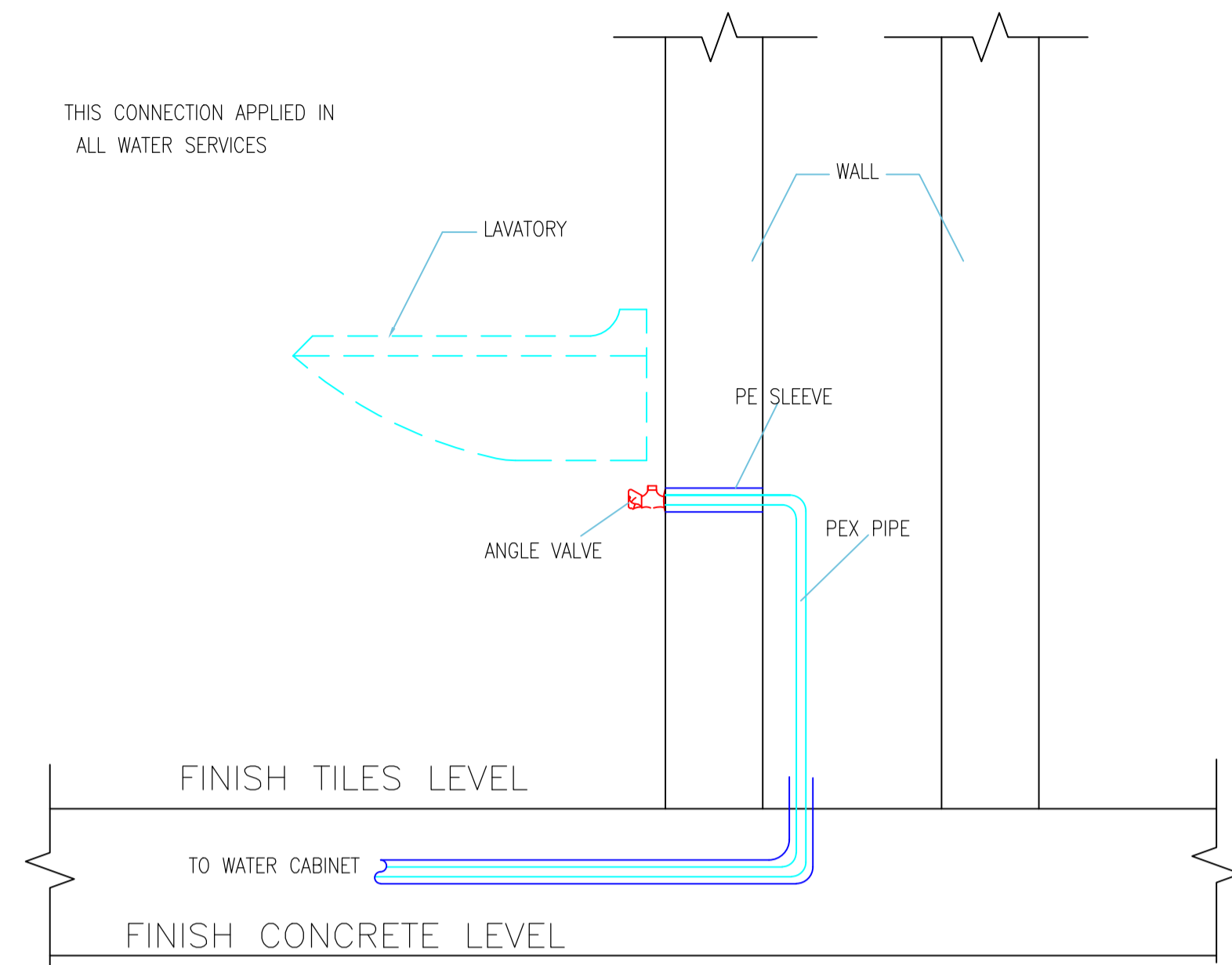
CONSULTANT
DAR AL-OMRAN
Amman - Jordan Avenue - 28 Squares 31 Khaldun Street
P.O. Box 94288 Amman - 11944 - Jordan
Tel: (962) 96 91001 Fax: (962) 96 90807
E-mail: info@daral-omran.com Web: www.daral-omran.com

PROJECT TITLE
**PETRA CULTURAL
HERITAGE VILLAGE**

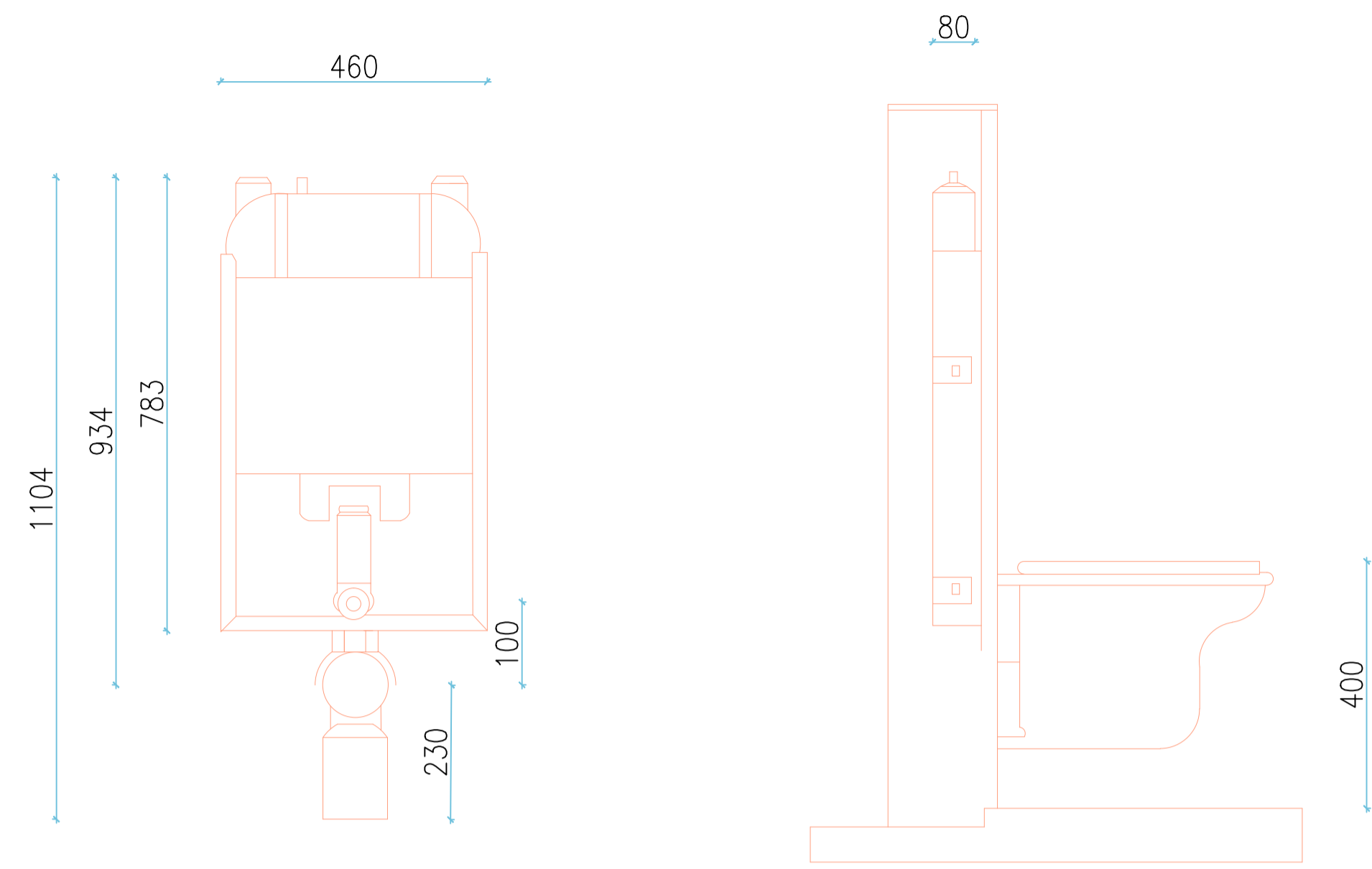
DRAWING NAME
**TYPICAL DETAILS
MECHANICAL 1/7**

SCALE	1/100	WHEN PRINTED AT A1 SHEET SIZE	
DRAWN BY	CHECKED BY	APPROVED BY	DESIGNED BY
CAD&GIS	H.D	B.A	M.SA
SECTION			D.M
DATE	PROJECT NO	DRAWING NO	REV
DEC. 2014	NLD76-12	TD-8001	00

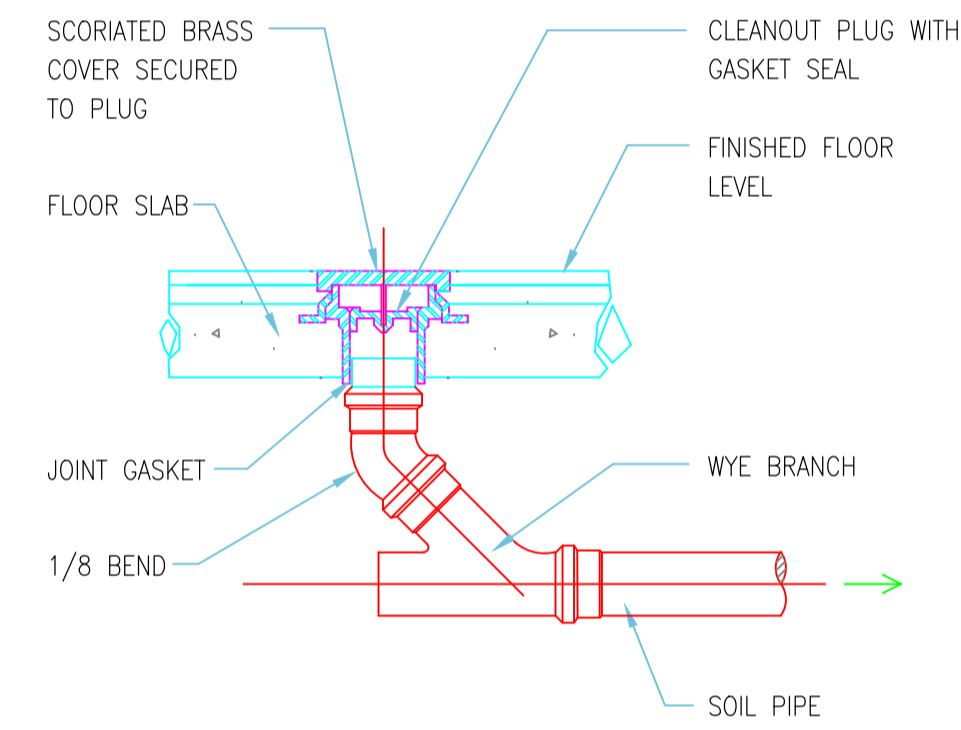
THIS DRAWING IS THE EXCLUSIVE PROPERTY OF DAR AL-OMRAN. REPRODUCTION IN ANY FORM WITHOUT THE WRITTEN CONSENT OF THE AFOREMENTIONED IS STRICTLY PROHIBITED.



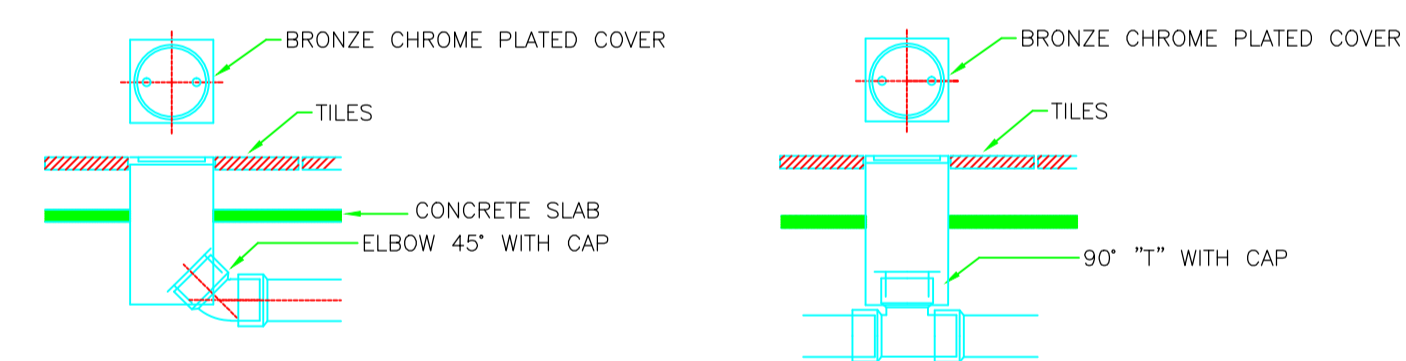
LAVATORY CONNECTION WATER DETAIL
N.T.S.



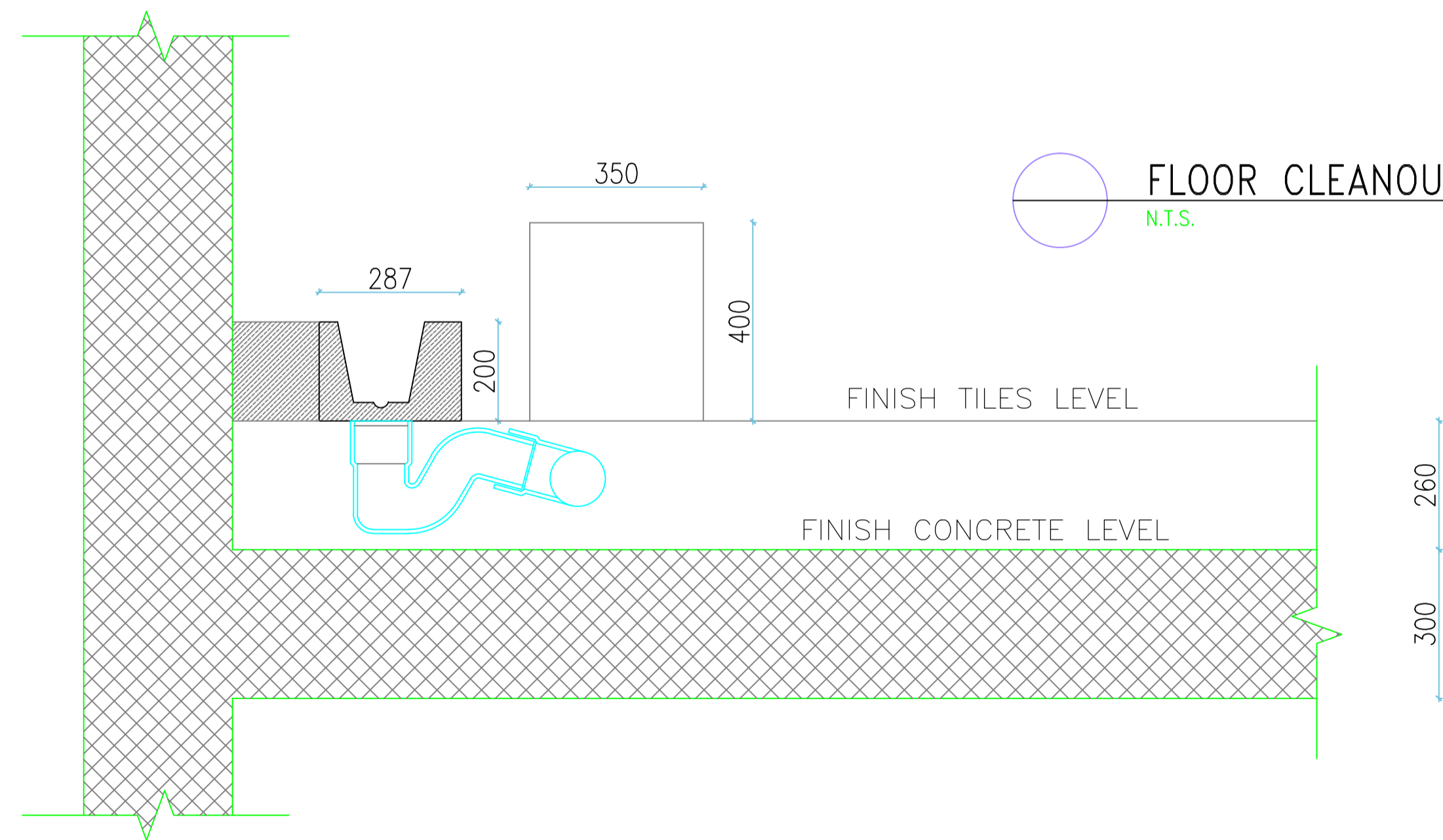
Wall Hung Cistern & Bracket Detail



FLOOR CLEANOUT DETAIL
N.T.S.



DETAIL OF FLOOR CLEANOUT



ABLUTION SECTION DETAIL

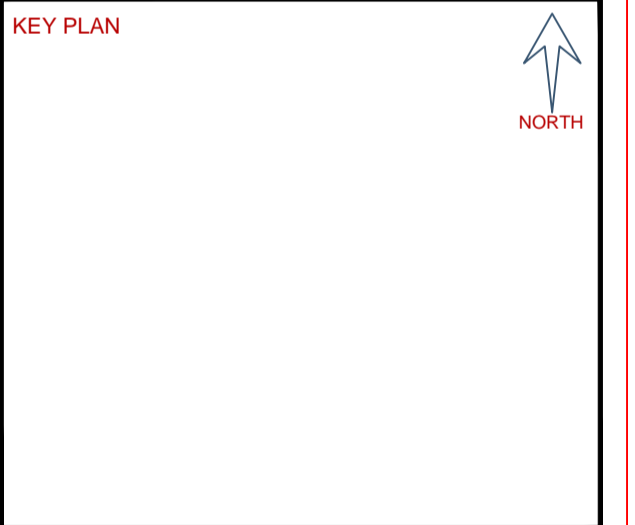
NOTES :

BY	DATE	SUBJECT	REV

Review/Verification Validation

Stage: I II III IV A B CONSTRUCTION DOCUMENT

Date: 0000-2012



CLIENT

HASHEMITE KINGDOM OF JORDAN
PDTRA PETRA DEVELOPMENT TOURISM
REGION AUTHORITY

CONSULTANT

DAR AL-OMRAN
Amman - Jordan
P.O. Box 94288 Amman - 11944 - Jordan
Tel: (962) 91 9100 Fax: (962) 91 9107
E-mail: info@daral-omran.com Web: www.daral-omran.com

PROJECT TITLE

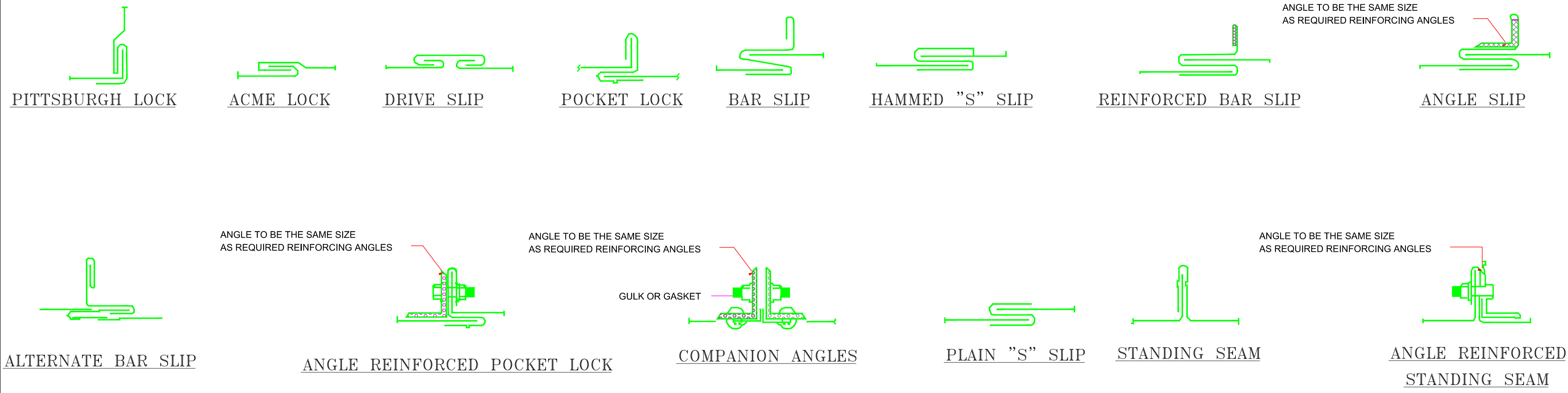
PETRA CULTURAL
HERITAGE VILLAGE

DRAWING NAME

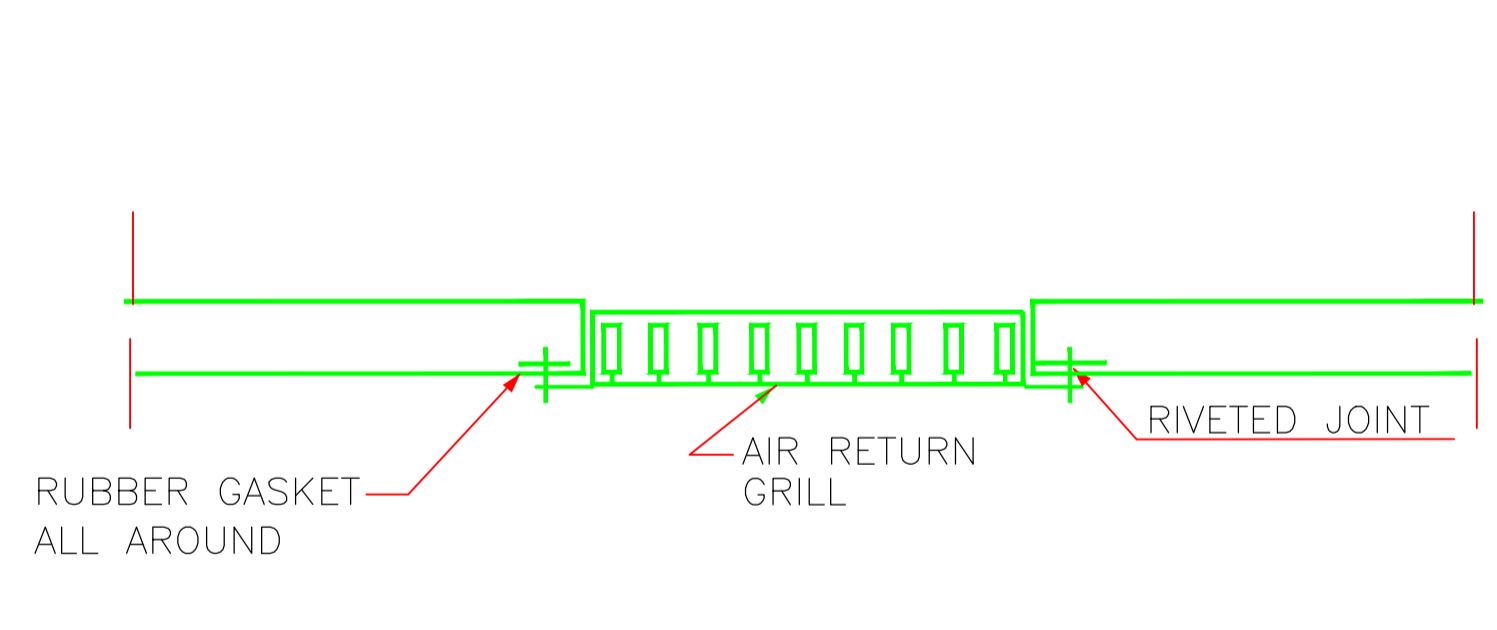
TYPICAL DETAILS
MECHANICAL 2/7

SCALE 1/100		WHEN PRINTED AT A1 SHEET SIZE	
DRAWN BY	CHECKED BY	APPROVED BY	DESIGNED BY
CAD&GIS	H.D	B.A	M.SA
SECTION			D.M
DATE	PROJECT NO	DRAWING NO	REV
DEC. 2014	NLD76-12	TD-8002	00

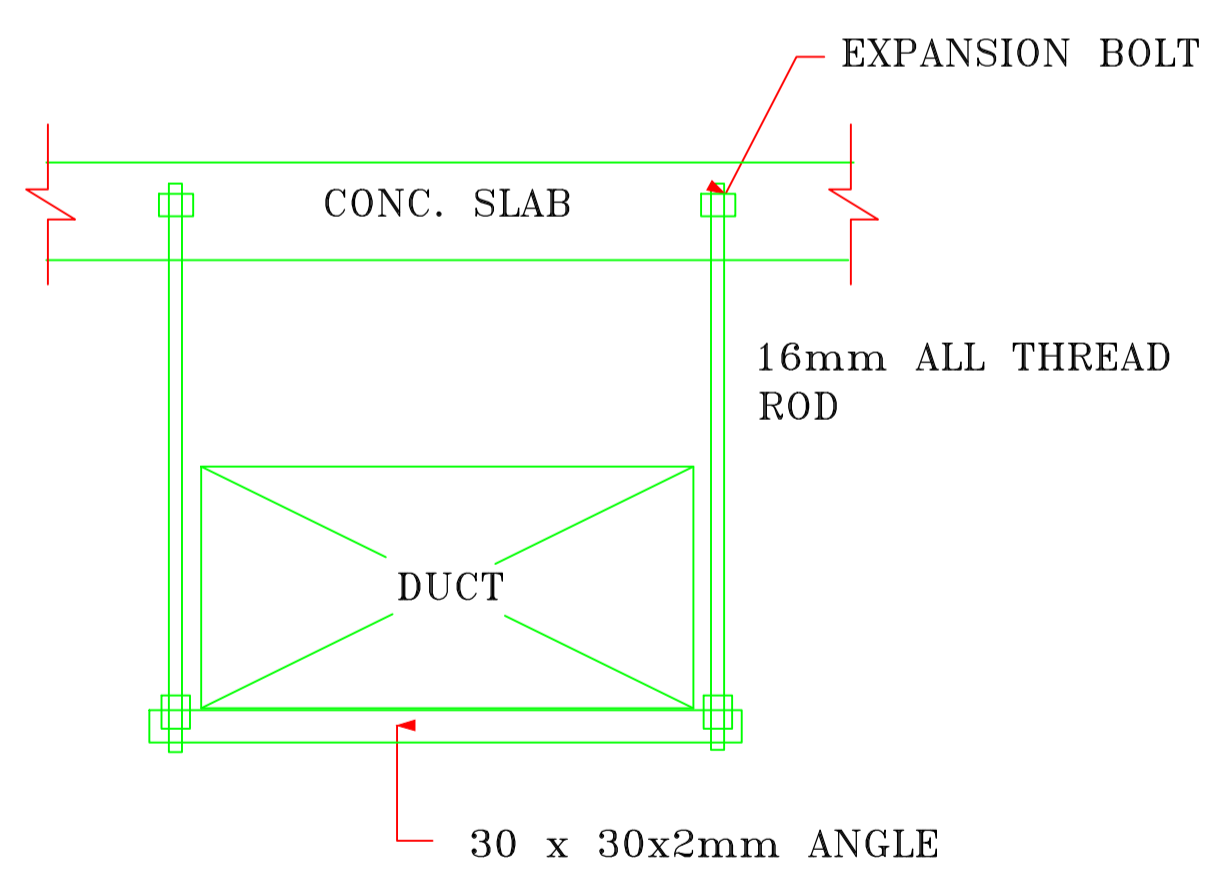
THIS DRAWING IS THE EXCLUSIVE PROPERTY OF DAR AL-OMRAN. REPRODUCTION IN ANY FORM WITHOUT THE WRITTEN CONSENT OF THE AFOREMENTIONED IS STRICTLY PROHIBITED.



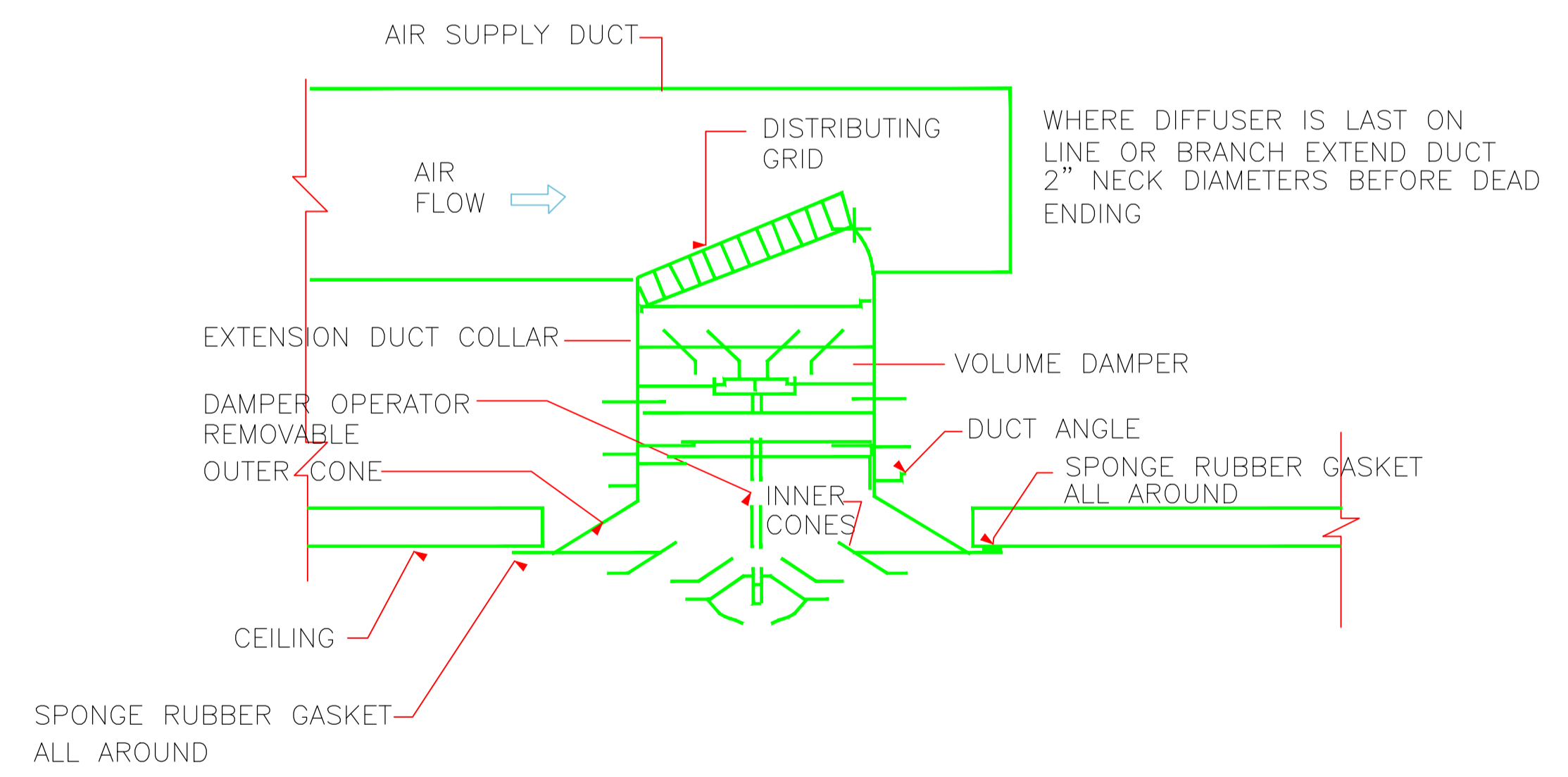
CONSTRUCTION OF RECTANGULAR STEEL DUCTWORK



RETURN GRILL INSTALLATION



SINGLE RECTANGULAR DUCT



SQUARE OR RECTANGULAR DIFFUSER

NOTES :

BY	DATE	SUBJECT	REV
<input checked="" type="checkbox"/>		Review/Verification	<input type="checkbox"/> Validation
Stage	II	III	IV
Date	0000-2012		



CLIENT

HASHEMITE KINGDOM OF JORDAN
PDTRA PETRA DEVELOPMENT TOURISM
REGION AUTHORITY

CONSULTANT

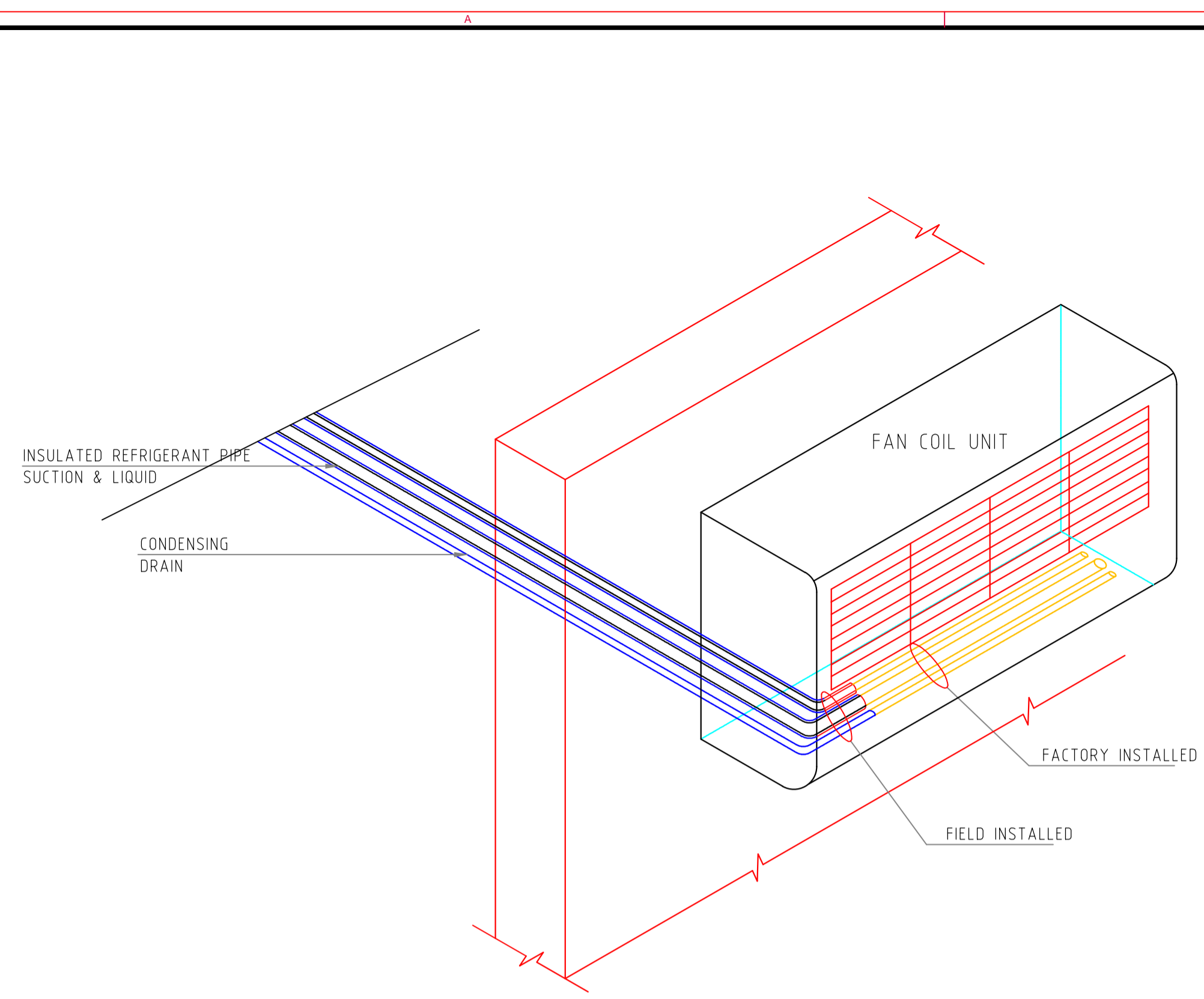
DAR AL-OMRAN
Amman - Jordan
P.O. Box 94288 Amman - 11184 - Jordan
Tel: (962) 96 91001 Fax: (962) 96 90807
E-mail: info@daral-omran.com Web: www.daral-omran.com

PROJECT TITLE
PETRA CULTURAL
HERITAGE VILLAGE

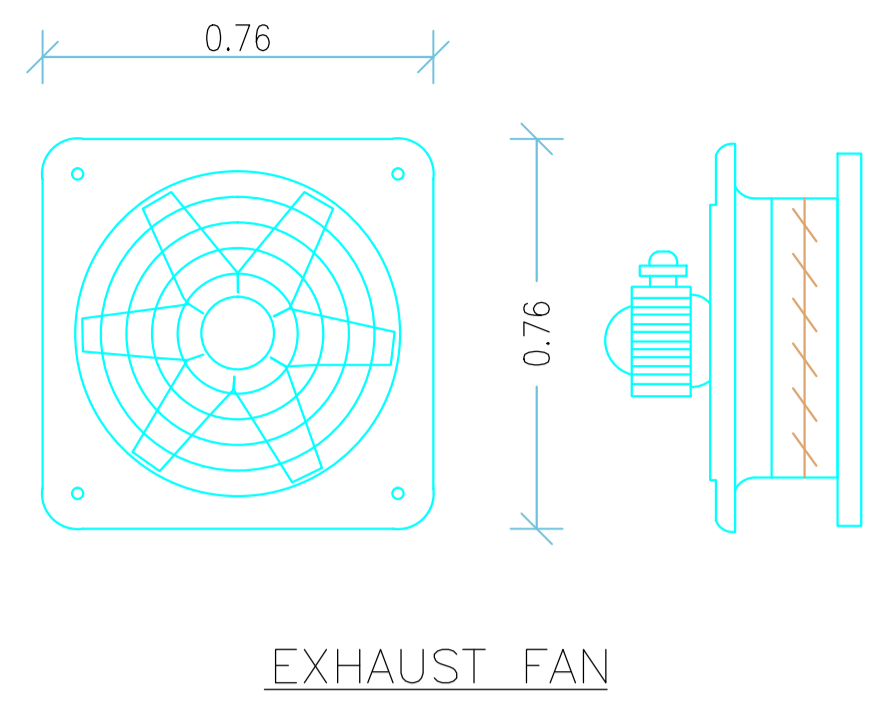
DRAWING NAME
TYPICAL DETAILS
MECHANICAL 3/7

SCALE 1/100		WHEN PRINTED AT A1 SHEET SIZE	
DRAWN BY	CHECKED BY	APPROVED BY	DESIGNED BY
CAD&GIS	H.D	B.A	M.SA
SECTION			D.M
DATE	PROJECT NO	DRAWING NO	REV
DEC. 2014	NLD76-12	TD-8003	00

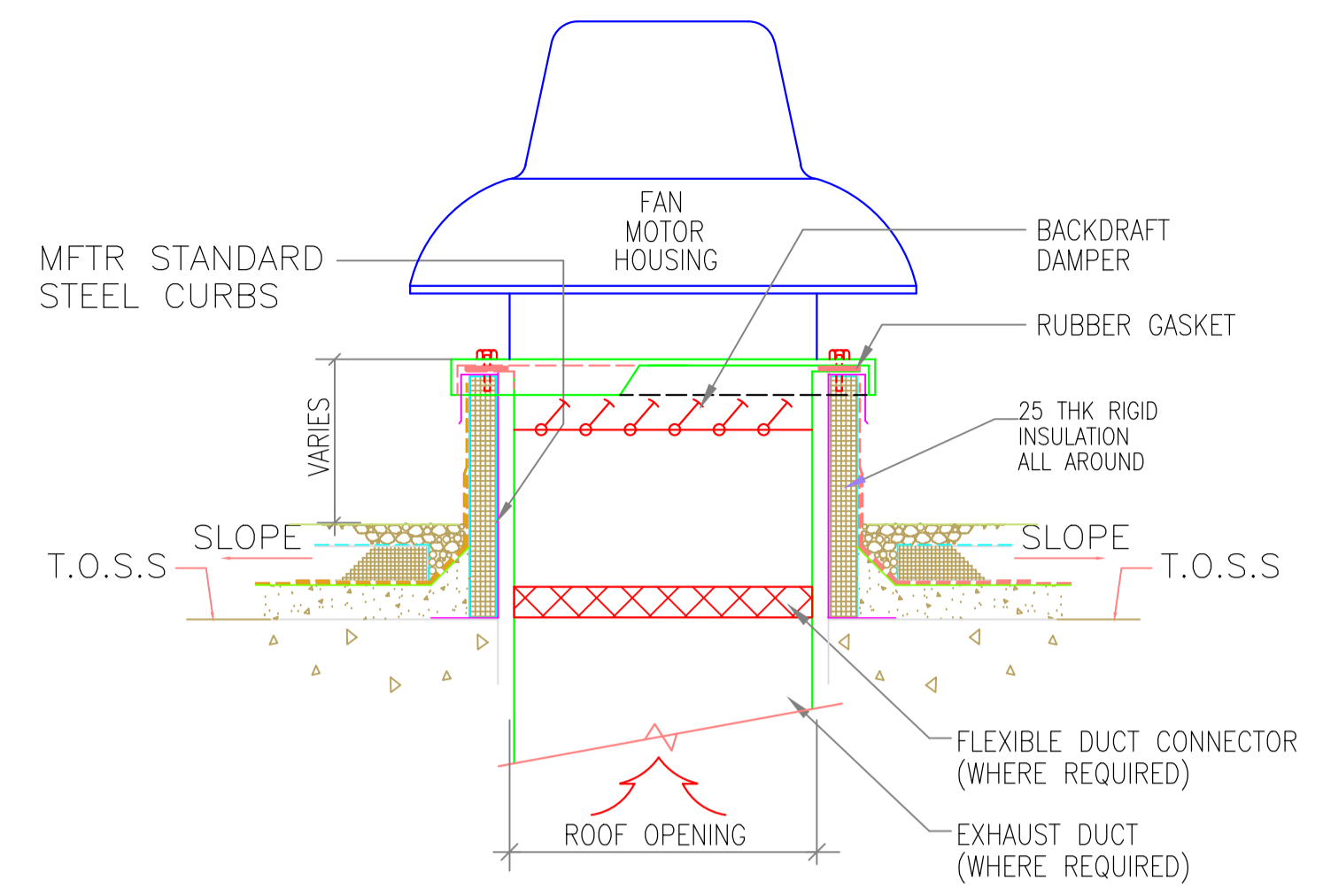
THIS DRAWING IS THE EXCLUSIVE PROPERTY OF DAR AL-OMRAN. REPRODUCTION IN ANY FORM WITHOUT THE WRITTEN CONSENT OF THE AFOREMENTIONED IS STRICTLY PROHIBITED.



1 INSTALLATION OF SPLIT A/C UNIT EVAPORATOR (INDOOR UNIT)

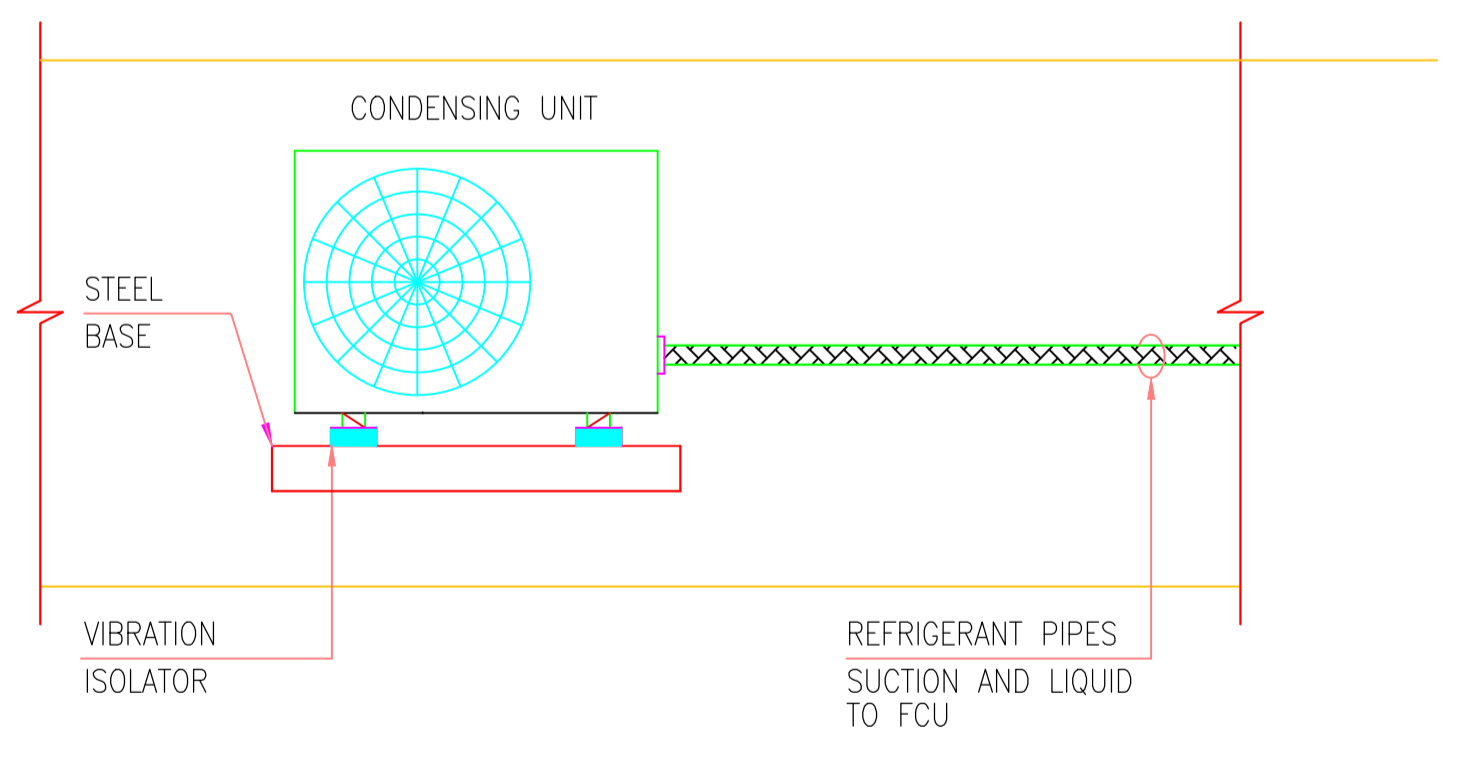


EXHAUST FAN

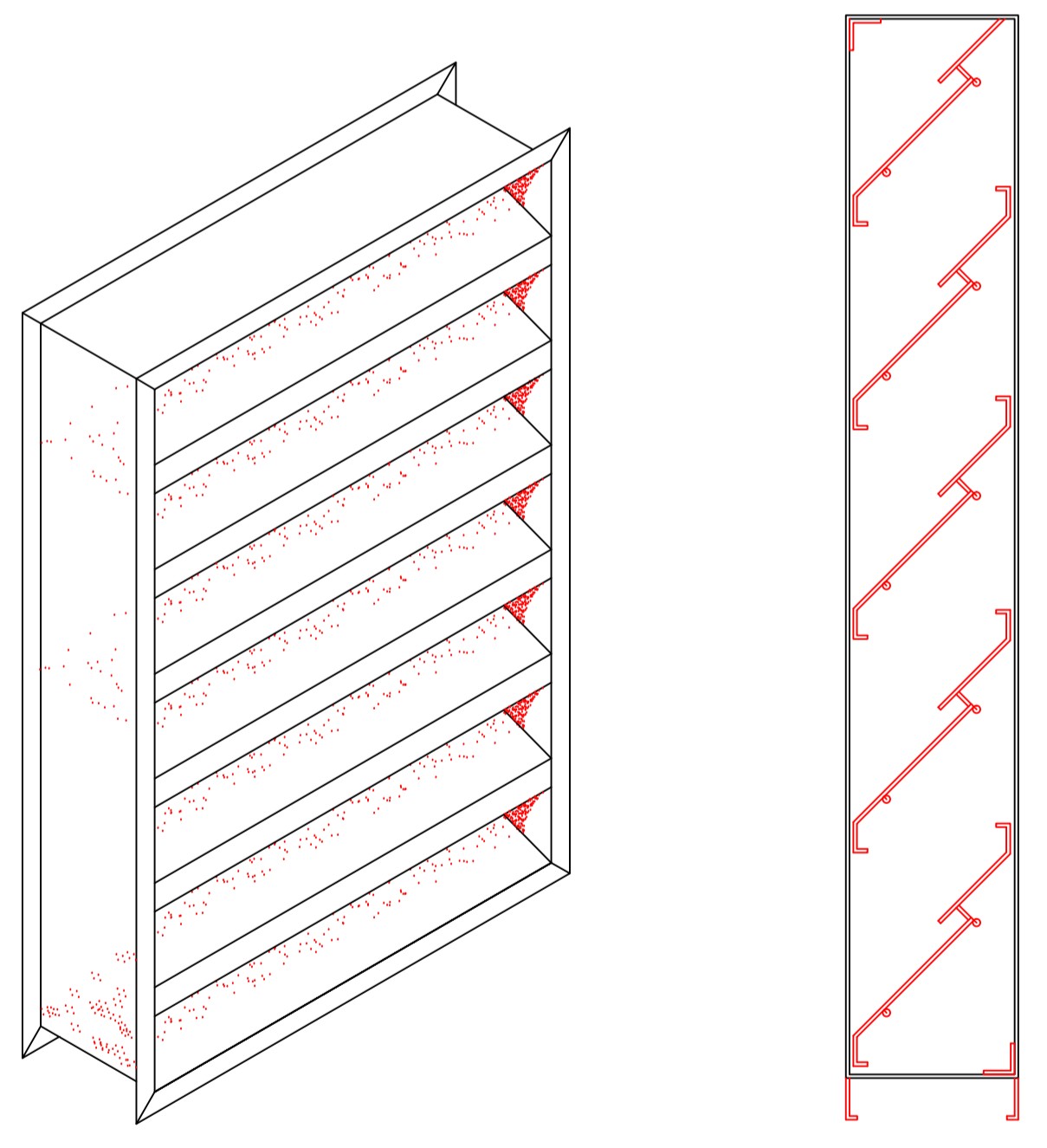


- NOTES:
1. FOR FAN DETAILS AND OTHER ACCESSORIES REQUIRED SEE EQUIPMENT SCHEDULES AND SPECIFICATIONS.
 2. FOR REQUIRED ROOF OPENING REFER TO EQUIPMENT MANUFACTURER'S CATALOG.
 3. FOR ROOF CONSTRUCTION AND FLASHING & COUNTERFLASHING DETAIL, SEE ARCHITECTURAL DRAWING.
 4. PROVIDE SAFETY DISCONNECT SWITCH INSTALLED ON MOTOR MOUNTING PLATE UNDER MOTOR DOME.

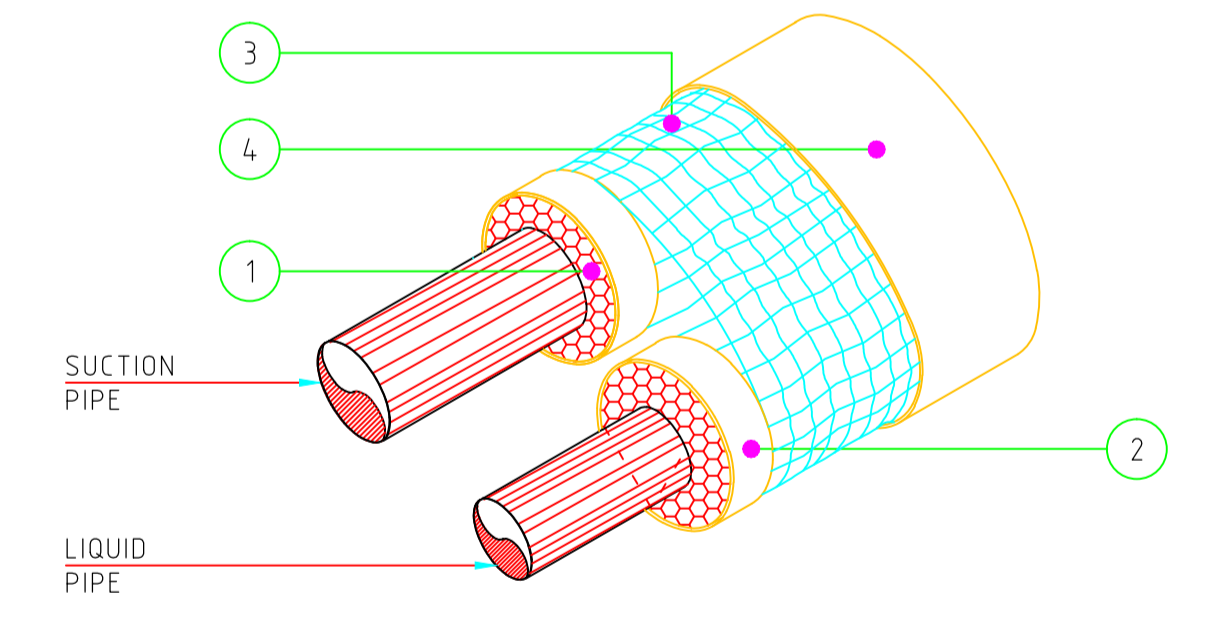
ROOF MOUNTED CENTRIFUGAL EXHAUST FAN



2 INSTALLATION OF SPLIT A/C UNIT (CONDENSING UNIT)



EXHAUST LOUVER N T S



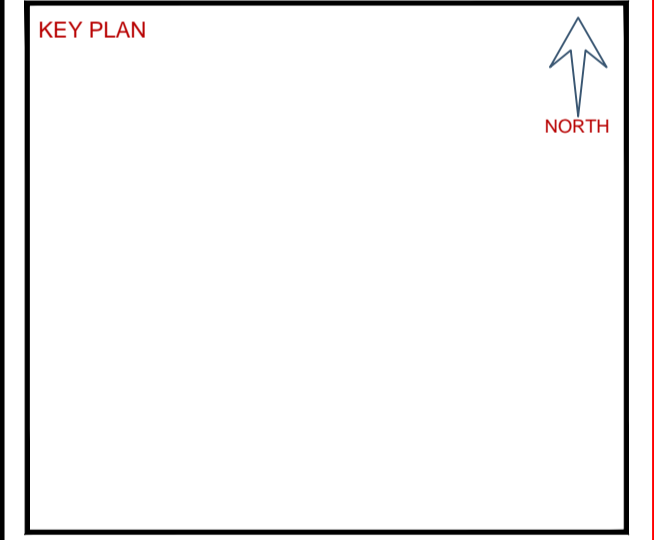
- A. EXPOSED TO VIEW
1. CLOSED CELL TUBE INSULATION 13mm THICKNESS
 2. ADHESIVE FOSTER 85-20 OR EQUIVALENT
 3. 4 OZ CORA CLOTH BONDED ON TO INSULATION WITH 2 LAYERS OF ATLAS- FOSTER 30-36 OR EQUIVALENT
 4. 2 COATS OF VINYL BASED VAPOUR BARRIER-FOSTER 30-35 OR EQUIVALENT

INSULATION OF REFRIGERANT EXPOSED PIPES

NOTES:

BY	DATE	SUBJECT	REV

Review/Verification Validation
 Stage: II III IV A B CONSTRUCTION DOCUMENT
 Date: 0000-2012



CLIENT

HASHEMITE KINGDOM OF JORDAN
PDTRA PETRA DEVELOPMENT TOURISM REGION AUTHORITY

CONSULTANT

Amman - Jordan Avenue - 28 October 31 Khaldun Street
P.O. Box 94288 Amman - 11944 - Jordan
Tel: (962) 96 9 999 Fax: (962) 96 9997
E-mail: info@daral-omran.com Web: www.daral-omran.com

PROJECT TITLE

PETRA CULTURAL HERITAGE VILLAGE

DRAWING NAME

TYPICAL DETAILS MECHANICAL 4/7

SCALE: 1/100 WHEN PRINTED AT A1 SHEET SIZE

DRAWN BY	CHECKED BY	APPROVED BY	DESIGNED BY
CAD&GIS SECTION	H.D	B.A	M.SA H.D

DATE	PROJECT NO	DRAWING NO	REV
DEC. 2014	NLD76-12	TD-8004	00

THIS DRAWING IS THE EXCLUSIVE PROPERTY OF DAR AL-OMRAN. REPRODUCTION IN ANY FORM WITHOUT THE WRITTEN CONSENT OF THE AFOREMENTIONED IS STRICTLY PROHIBITED.

GREATEST DUCT DIMENSION	STEEL DUCTS U.S. STANDARD GAUGE	LONGITUDINAL SEAM	TRANSVERSE JOINT SMALLEST DIMENSION	TRANSVERSE JOINT GREATEST DIMENSION	REINFORCING (ALL DUCTS 18" through 54 SHALL BE CROSS BROKEN)
12" OR LESS	26	PITTSBURGH OR ACME LOCK	DRIVE SLIP OR POCKET LOCK OR BAR SLIP	PLAIN "S" SLIP OR POCKET LOCK OR BAR SLIP	NONE REQUIRED
13" THRU 18"	24	PITTSBURGH OR ACME LOCK	DRIVE SLIP OR POCKET LOCK OR BAR SLIP	PLAIN "S" SLIP OR POCKET LOCK OR BAR SLIP	NONE REQUIRED
19" THRU 30"	24	PITTSBURGH OR ACME LOCK	HEMMED "S" SLIP OR BAR SLIP OR DRIVE SLIP OR 1" POCKET LOCK	HEMMED "S" SLIP OR BAR SLIP OR POCKET LOCK	IF TRANSVERSE JOINTS ARE LOCATED 4"-0" OR LESS ON CENTER NO REINFORCING IF ON 8"-D" CENTERS REINFORCE WITH 1"x1"x1/8" ANGLES AT 4 FT. O.C. FASTENED ON 8" CENTERS
31" THRU 42"	22	PITTSBURGH LOCK	DRIVE SLIP. IF 18" OR LESS BAR SLIP. REINFORCED BAR SLIP. OR POCKET LOCK	BAR SLIP. REINFORCED BAR SLIP. OR POCKET LOCK	IF TRANSVERSE JOINTS ARE LOCATED 4"-0" OR LESS ON CENTER NO REINFORCING IF ON 8"-D" CENTERS REINFORCE WITH 1"x1"x1/8" ANGLES AT 4 FT. O.C. FASTENED ON 8" CENTERS
43" THRU 54"	22	PITTSBURGH LOCK	1 1/4" BAR SLIP. OR REINFORCED BAR SLIP. OR 1 1/2" POCKET LOCK	1 1/4" BAR SLIP. OR REINFORCED BAR SLIP. OR 1 1/2" POCKET LOCK	IF TRANSVERSE JOINTS ARE LOCATED 4"-0" OR LESS ON CENTER NO REINFORCING IF ON 8"-D" CENTERS REINFORCE WITH 1"x1"x1/8" ANGLES AT 4 FT. O.C. FASTENED ON 8" CENTERS
55" THRU 60"	20	PITTSBURGH LOCK	1 1/4" BAR SLIP. OR REINFORCED BAR SLIP. OR 1 1/2" POCKET LOCK	1 1/4" BAR SLIP. OR REINFORCED BAR SLIP. OR 1 1/2" POCKET LOCK	IF TRANSVERSE JOINTS ARE LOCATED 4"-0" OR LESS ON CENTER NO REINFORCING IF ON 8"-D" CENTERS REINFORCE WITH 1"x1"x1/8" ANGLES AT 4 FT. O.C. FASTENED ON 8" CENTERS
61" THRU 84"	20	PITTSBURGH LOCK	REINFORCED BAR SLIP. OR ANGLE SLIP, ALTERNATE BAR SLIP. OR ANGLE REINFORCED POCKET LOCK	REINFORCED BAR SLIP. OR ANGLE SLIP, ALTERNATE BAR SLIP. OR ANGLE REINFORCED POCKET LOCK	REINFORCE ALL SIDES OVER 60" WITH 1 1/2" x 1 1/2" x 1/8" ANGLES ON 2'-D" CENTERS. SIDES UNDER 60" NEED NO REINFORCING IF JOINTS ARE ON 4"-0" CENTERS, IF JOINTS ARE ON 8"-0" CENTERS REINFORCE WITH 1 1/2"x1 1/2"x1/8" ANGLES ON 4"-0" CENTERS
85" THRU 95"	18	PITTSBURGH LOCK	1 1/2" COMPANION ANGLES. OR ANGLE REINFORCED POCKET LOCK OR 1 1/2" ANGLE SLIP OR REINFORCED BAR SLIP	1 1/2" COMPANION ANGLES. OR ANGLE REINFORCED POCKET LOCK OR 1 1/2" ANGLE SLIP OR REINFORCED BAR SLIP	REINFORCE ALL SIDES OVER 84" WITH 1 1/2" x 1 1/2" x 3/16" ANGLES ON 2'-D" CENTERS. SIDES 60" OR LESS NEED NO REINFORCING IF JOINTS ARE ON 4"-0" CENTERS, IF JOINTS ARE ON 8"-0" CENTERS REINFORCE WITH 1 1/2"x1 1/2"x1/8" ANGLES ON 4"-0" CENTERS
OVER 96"	18	PITTSBURGH LOCK	2" COMPANION ANGLE. OR 2"x2"x1/4" ANGLE SLIP. OR 2"x2"x1 1/4" ANGLE REINFORCED POCKET REINFORCED BAR SLIP	2" COMPANION ANGLE. OR 2"x2"x1/4" ANGLE SLIP. OR 2"x2"x1 1/4" ANGLE REINFORCED POCKET REINFORCED BAR SLIP	REINFORCE ALL SIDES OVER 96" WITH 2 x 2 1/2" x 1 /4" ANGLES ON 2'-D" CENTERS. REINFORCE ALL SIDES 85" THRU 96" WITH 1 1/2" x 1 1/2" x 3/16" ANGLES ON 2"-0" CENTERS. REINFORCE ALL SIDES UNDER 60" WITH 1 1/2" x 1 1/2" x 1/8" ANGLES. ON 2"-0" CENTERS. REINFORCE UNDER 60" WITH 1 1/2" x 1 1/2" x 1/8" ANGLES IF JOINTS ARE 8"-0" ON CENTER. REINFORCING IF JOINTS ARE 4"-0" ON CENTER.

NOTES :

BY	DATE	SUBJECT	REV

Review/Verification Validation
 Stage: I II III IV A B | CONSTRUCTION DOCUMENT
 Date: 0000-2012

KEY PLAN

CLIENT

HASHEMITE KINGDOM OF JORDAN
PDTRA PETRA DEVELOPMENT TOURISM REGION AUTHORITY

CONSULTANT

DAR AL-OMRAN
Amman - Jordan Avenue - 28 Squares 81 Khaldun Street
P.O. Box 94288 Amman - 11944 - Jordan
Tel: (962) 91 9100 Fax: (962) 91 9107
E-mail: info@daral-omran.com Web: www.daral-omran.com

PROJECT TITLE
PETRA CULTURAL HERITAGE VILLAGE

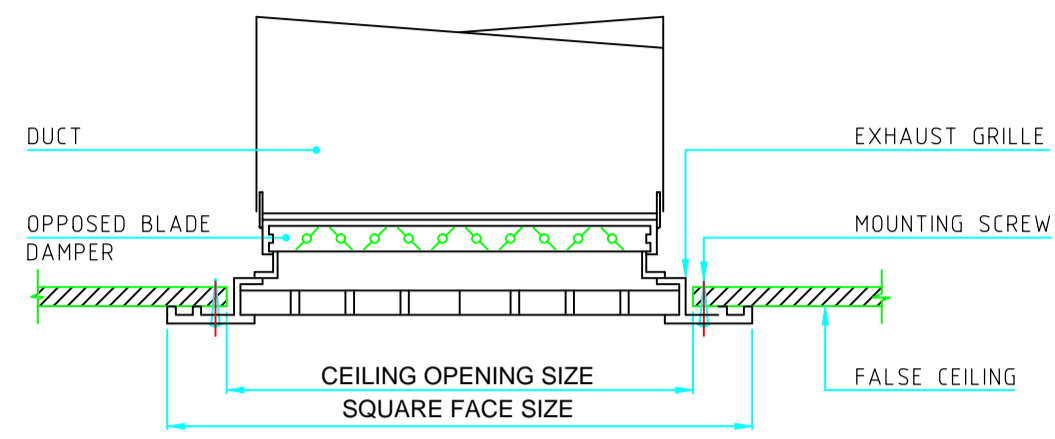
DRAWING NAME
TYPICAL DETAILS MECHANICAL 5/7

SCALE 1/100 WHEN PRINTED AT A1 SHEET SIZE

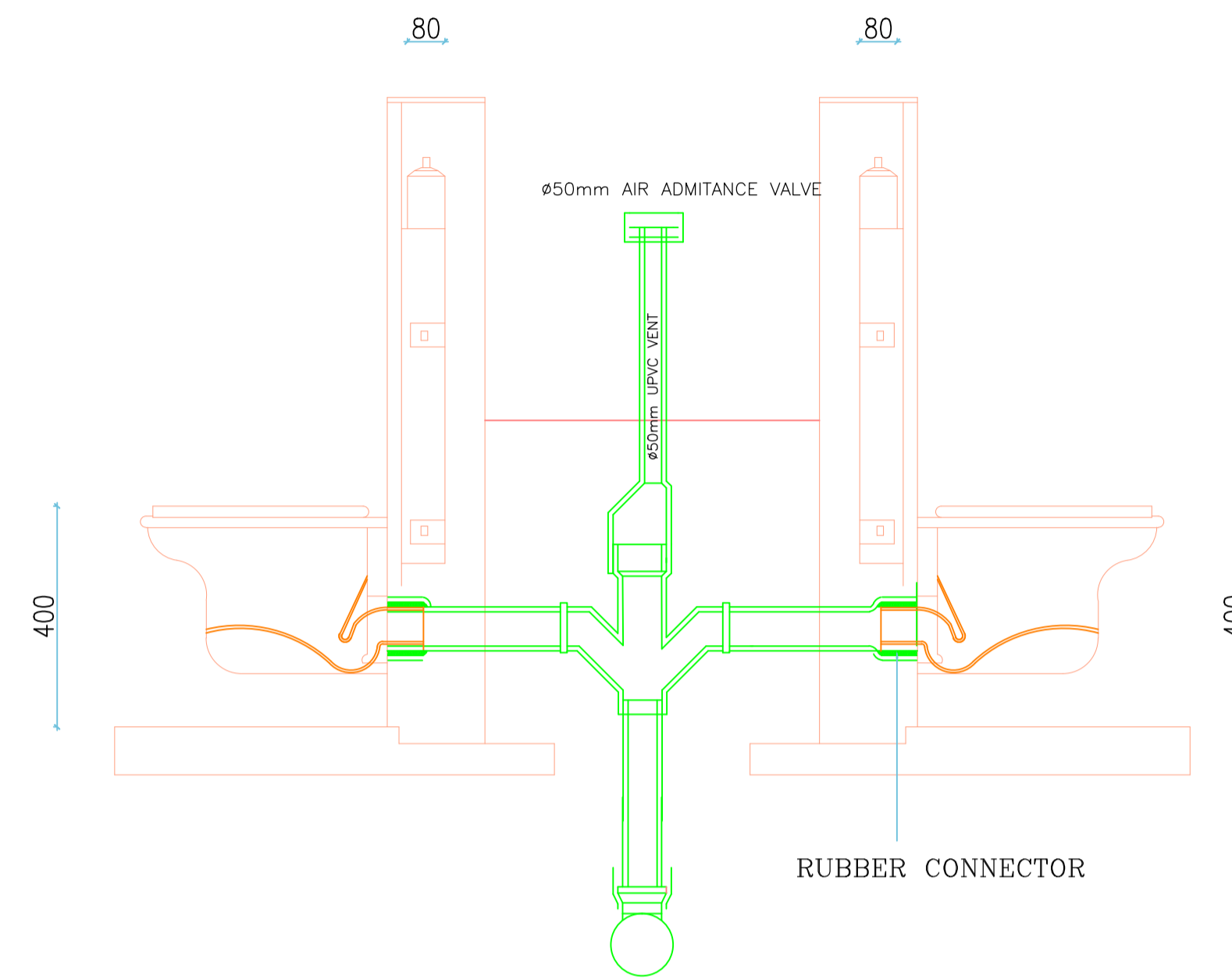
DRAWN BY	CHECKED BY	APPROVED BY	DESIGNED BY
CAD&GIS SECTION	H.D	B.A	M.SA D.M

DATE	PROJECT NO	DRAWING NO	REV
DEC. 2014	NLD76-12	TD-8005	00

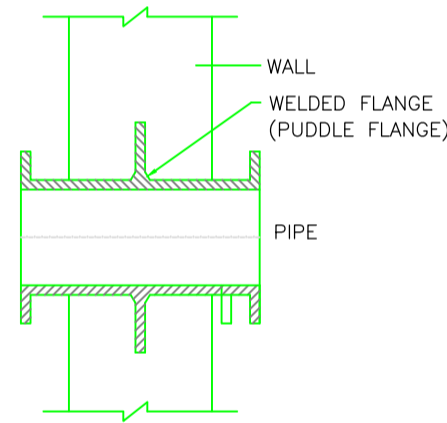
THIS DRAWING IS THE EXCLUSIVE PROPERTY OF DAR AL-OMRAN. REPRODUCTION IN ANY FORM WITHOUT THE WRITTEN CONSENT OF THE AFOREMENTIONED IS STRICTLY PROHIBITED.



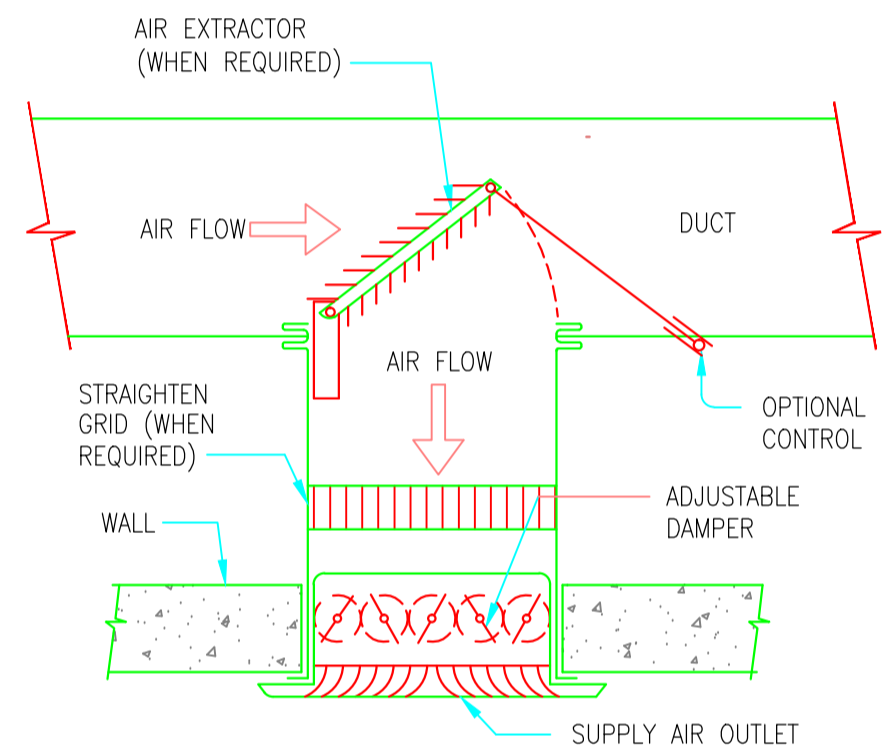
INSTALLATION DETAIL OF RETURN GRILLE



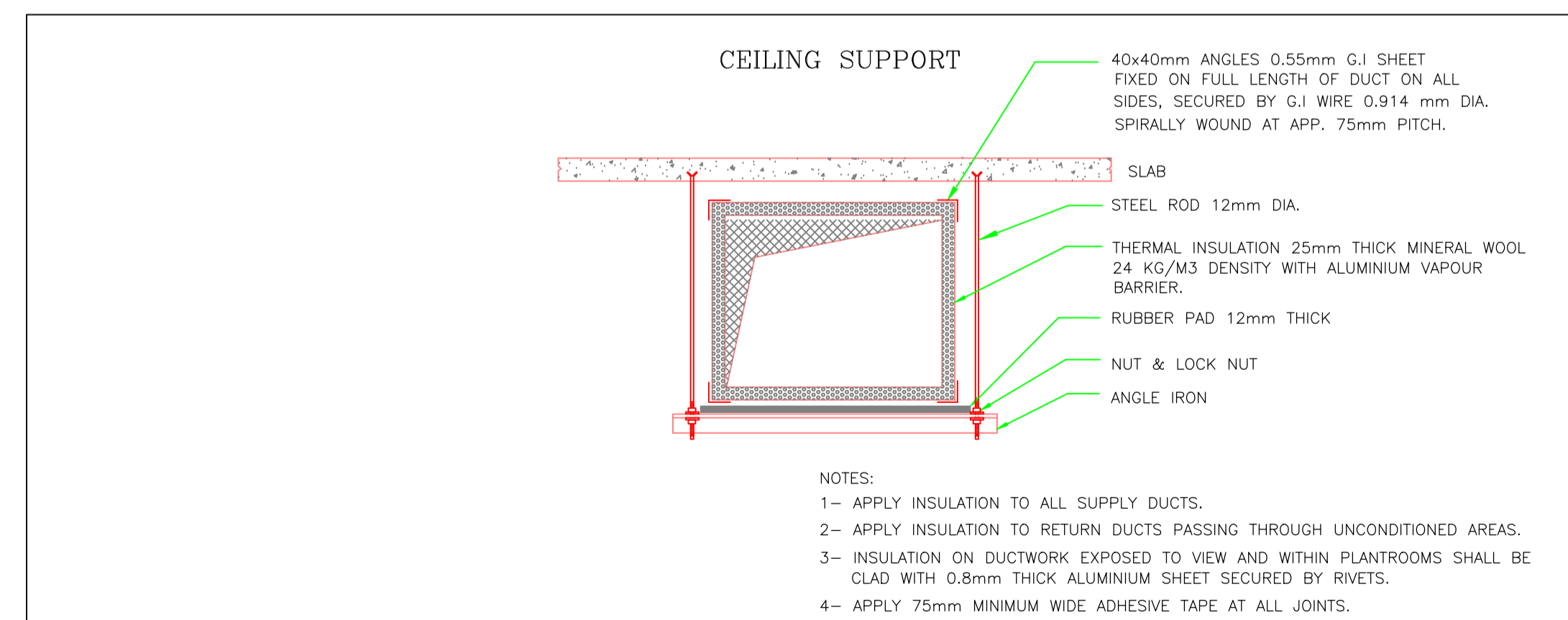
WATER CLOSET INSTALLATION



DETAIL (A)
PIPE CONNECTION THROUGH WALL



SUPPLY REGISTER/GRILLE CONNECTION
N T S



- NOTES:
- 1- APPLY INSULATION TO ALL SUPPLY DUCTS.
 - 2- APPLY INSULATION TO RETURN DUCTS PASSING THROUGH UNCONDITIONED AREAS.
 - 3- INSULATION ON DUCTWORK EXPOSED TO VIEW AND WITHIN PLANTROOMS SHALL BE CLAD WITH 0.8mm THICK ALUMINIUM SHEET SECURED BY RIVETS.
 - 4- APPLY 75mm MINIMUM WIDE ADHESIVE TAPE AT ALL JOINTS.

DUCT SUPPORT AND THERMAL INSULATION

NOTES :

BY	DATE	SUBJECT	REV

Review/Verification Validation
 Stage: II III IV A B CONSTRUCTION DOCUMENT
 Date: 0000-2012



CLIENT

HASHEMITE KINGDOM OF JORDAN
PDTRA PETRA DEVELOPMENT TOURISM REGION AUTHORITY

CONSULTANT

Amman - Jordan Avenue - 28 October 31 Khaldun Street
P.O. Box 94288 Amman - 11944 - Jordan
Tel: (962) 96 9 9997 Fax: (962) 96 96 997
E-mail: info@daral-omran.com Web: www.daral-omran.com

PROJECT TITLE

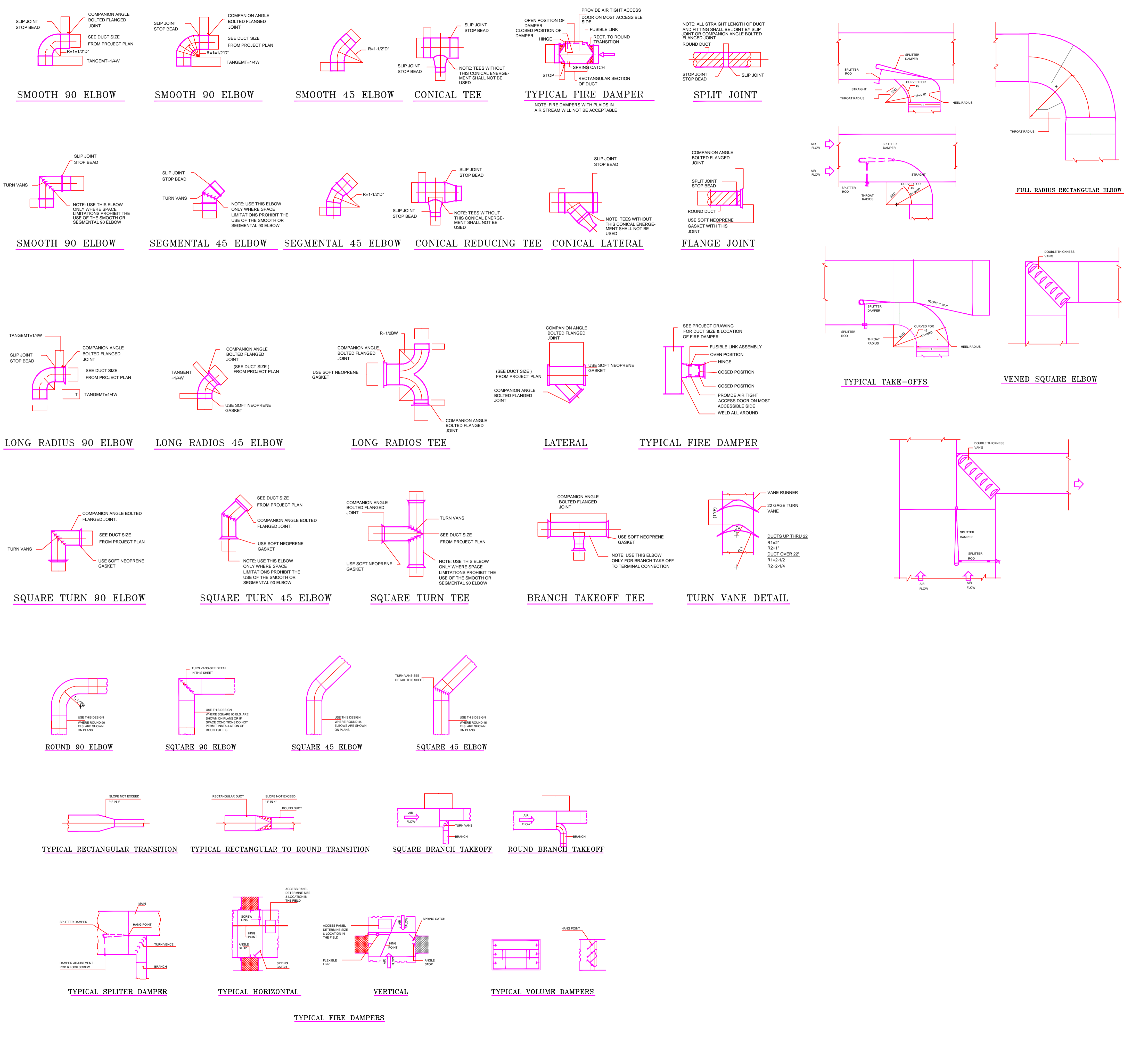
PETRA CULTURAL HERITAGE VILLAGE

DRAWING NAME

TYPICAL DETAILS MECHANICAL 6/7

SCALE N.T.S		WHEN PRINTED AT A1 SHEET SIZE	
DRAWN BY CAD&GIS SECTION	CHECKED BY H.D	APPROVED BY B.A	DESIGNED BY M.SA D.M
DATE DEC. 2014	PROJECT NO NLD76-12	DRAWING NO TD-8006	REV 00

THIS DRAWING IS THE EXCLUSIVE PROPERTY OF DAR AL-OMRAN. REPRODUCTION IN ANY FORM WITHOUT THE WRITTEN CONSENT OF THE AFOREMENTIONED IS STRICTLY PROHIBITED.



NOTES :

BY	DATE	SUBJECT	REV

Review/Verification Validation
 Stage: II III IV A B CONSTRUCTION DOCUMENT
 Date: 0000-2012



CLIENT

HASHEMITE KINGDOM OF JORDAN
PDTRA PETRA DEVELOPMENT TOURISM
REGION AUTHORITY

CONSULTANT

Amman - Jordan Avenue - 28 Squares - 8th Floor Street
P.O. Box 94288 Amman - 11944 - Jordan
Tel: (962) 91 9100 Fax: (962) 91 9107
E-mail: info@daral-omran.com Web: www.daral-omran.com

PROJECT TITLE
**PETRA CULTURAL
HERITAGE VILLAGE**

DRAWING NAME
**TYPICAL DETAILS
MECHANICAL 7/7**

SCALE: N.T.S. WHEN PRINTED AT A1 SHEET SIZE

DRAWN BY CAD&GIS SECTION	CHECKED BY H.D	APPROVED BY B.A	DESIGNED BY M.SA H.D	D.M
DATE DEC. 2014	PROJECT NO NLD76-12	DRAWING NO TD-8007	REV 00	

THIS DRAWING IS THE EXCLUSIVE PROPERTY OF DAR AL-OMRAN. REPRODUCTION IN ANY FORM WITHOUT THE WRITTEN CONSENT OF THE AFOREMENTIONED IS STRICTLY PROHIBITED.