

THE HASHEMITE KINGDOM OF JORDAN

PETRA DEVELOPMENT AND
TOURISM REGION AUTHORITY

ADDENDUM 1

FOR

THE CONSTRUCTION OF THE PETRA MUSEUM
(EXHIBITION WORK)

ATTACHMENT 1

PETRA DEVELOPMENT AND TOURISM REGIONAL AUTHORITY

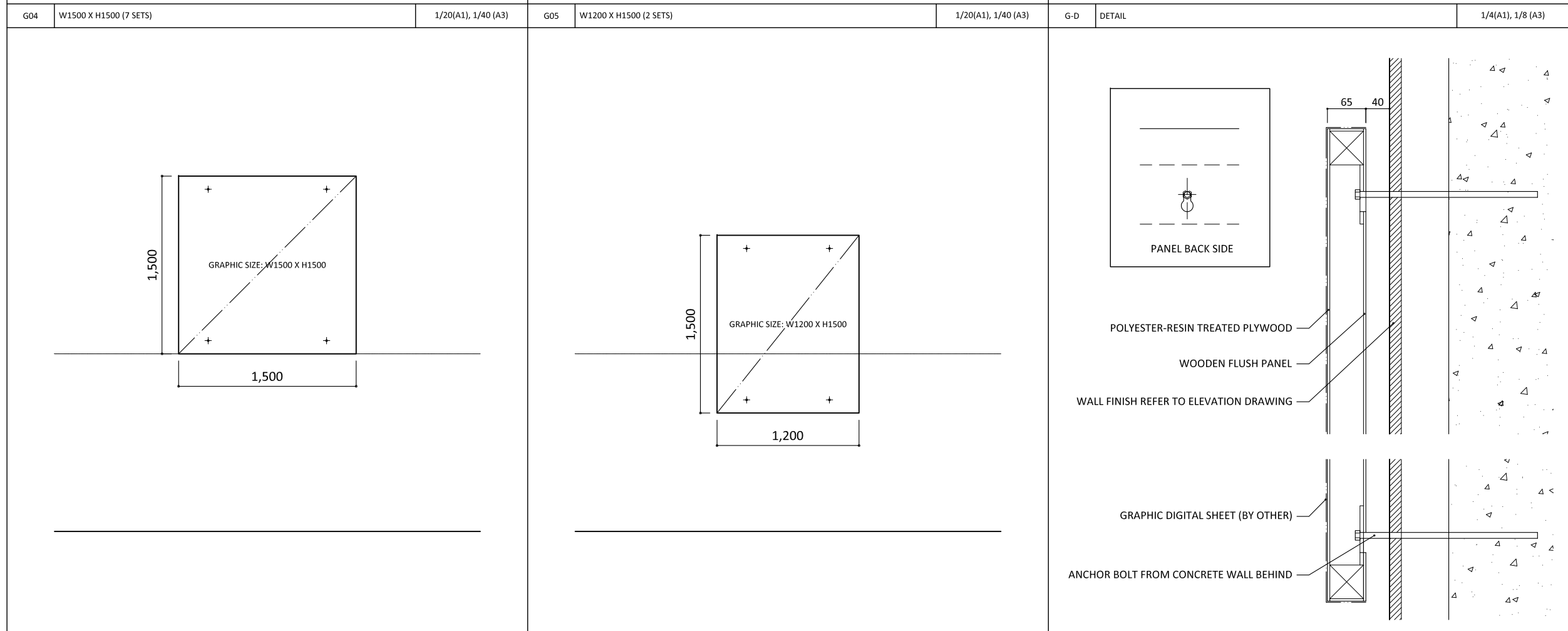
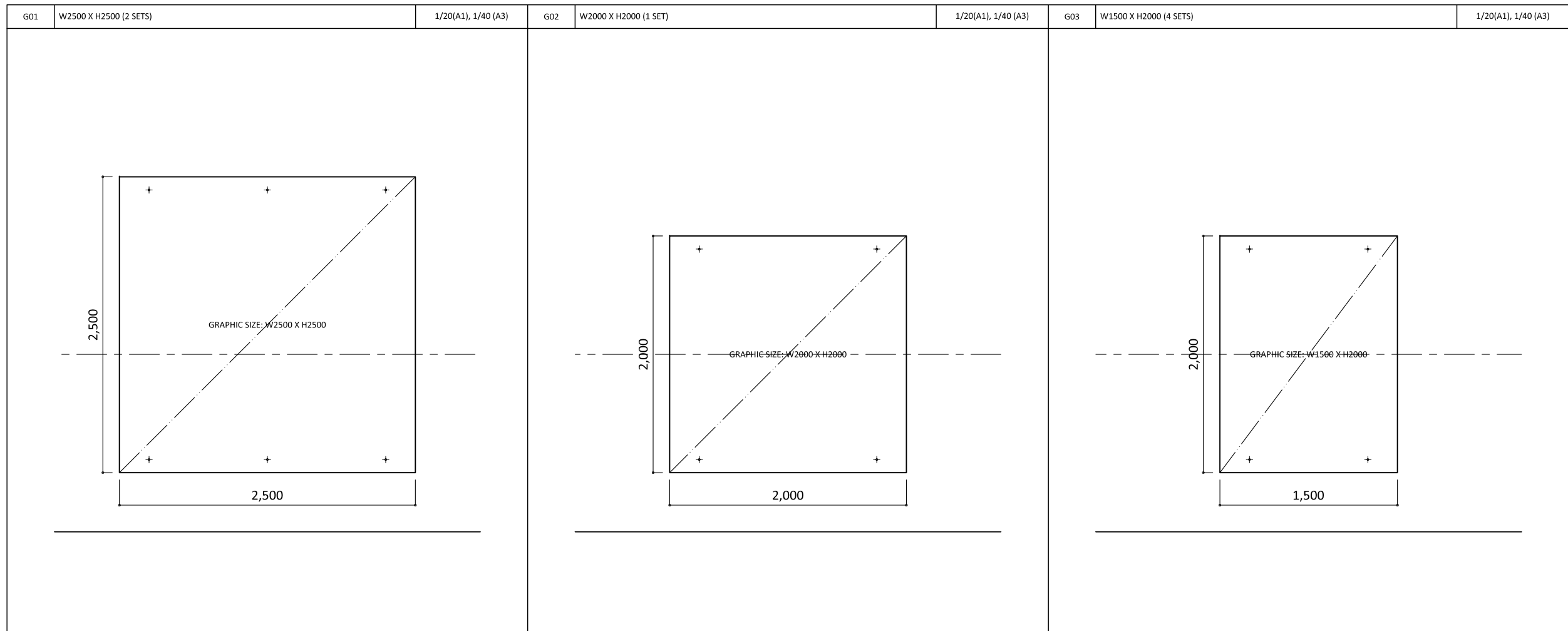
DIVISION 3-1 - MISCELLANEOUS PRODUCTION

Item	Description	Quantity	Unit	Rate	Amount
				USD	USD
	<u>3-1 Miscellaneous Production</u>				
	The finishing materials shown in DWG: FINISHING MATERIAL are referential only.				
	Gallery 1				
A	Monitor box Refer to DWG: E01 and D10	1	SET		
	Gallery 3				
B	Floor Screen Silver screen spray paint finishing Refer to DWG: D02	20	M2		
C	Showcase Stage Stone finishing with steel frame / Finishing material: Type B Refer to DWG: E04, E05, D02 and FINISHING MATERIAL	2	SET		
D	Steel handrail with steel supporter Refer to DWG: D02	16	M		
E	Mounting Refer to DWG: D12	0	UNIT		
	Gallery 4				
F	Wooden bar Refer to DWG: E06 and D03	7	M		
G	Glass barrier Refer to DWG: E06 and D13	6	M		
H	Projector Screen (3000W x 2000H) Refer to DWG: E06	1	SET		
	Gallery 5				
J	Mosaic Floor Tiles Glass floor with steel frame Refer to DWG: E07 and D08	1	SET		
K	Showcase Stage Stone finishing with steel frame / Finishing material: Type C Refer to DWG: E07, D04 and FINISHING MATERIAL	1	SET		
	Carried to Collection			USD	

PETRA DEVELOPMENT AND TOURISM REGIONAL AUTHORITY

DIVISION 3-1 - MISCELLANEOUS PRODUCTION

Item	Description	Quantity	Unit	Rate	Amount
				USD	USD
	<u>3-1 Miscellaneous Production (Cont'd)</u>				
	The finishing materials shown in DWG: FINISHING MATERIAL are referential only.				
	Gallery 6				
A	Showcase Stage Stone finishing with steel frame / Finishing material: Type C Refer to DWG:E09, D05 and FINISHING MATERIAL	2	SET		
B	Glass screen Refer to DWG: E09 and D05	6	M2		
C	Projector Screen (3500W x 2500H) Refer to DWG: E09	1	SET		
	Gallery 7				
D	Gate Stone-like spray paint finishing plywood with steel frame Finishing material: Type D Refer to DWG: E10, E11 and FINISHING MATERIAL	1	UNIT		
	Gallery 8				
E	Projector Screen (3000W x 2500H) Refer to DWG: E13	1	SET		
	Gallery 2 - 8				
F	Digital signage stand Refer to DWG: D11	22	UNIT		
	Mounting Panel for Graphic Sheet				
	Refer to DWG: ADD1-01, E01, E02, E03, E09, E10, E11 and E13 (Panel only, Graphic sheets will be mounted by others)				
G	G01: W2500 x H2500	2	UNIT		
H	G02: W2000 x H2000	1	UNIT		
I	G03: W1500 x H2000	4	UNIT		
J	G04: W1500 x H1500	5	UNIT		
K	G04: W1500 x H1500 (inside showcase) Refer to DWG: E11	2	UNIT		
L	G05: W1200 x H1500	2	UNIT		
	Carried to Collection			USD	



GENERAL NOTES :

- GRAPHIC SHEETS WILL BE MOUNTED BY OTHERS.

REV. NO.	DESCRIPTION	DATE

CONSULTANT :



CONSULTANT OF RECORD :

PROJECT NAME :
The Project for the Construction of the Petra Museum

PROJECT NUMBER :

CLIENT :
Petra Development and Tourism Region Authority

SECTOR NO. : PLOT NO. :

DRAWING TITLE :
MOUNTING PANEL FOR GRAPHIC SHEET

DRAWING NUMBER : **ADD1-01** SCALE :
(A1) 1/4, 1/20
(A3) 1/8, 1/40

DESIGNED BY :

CHECKED BY :

SUBMISSION DATE : **December 2017**

REFERENCE ONLY

REV. NO.	DESCRIPTION	DATE

CONSULTANT :

YAMASHITA SEKKEI INC.
ARCHITECTS, ENGINEERS & CONSULTANTS.

CONSULTANT OF RECORD :

PROJECT NAME :
The Project for the Construction of
the Petra Museum

PROJECT NUMBER :

CLIENT :
Petra Development and
Tourism Region Authority

SECTOR NO. : PLOT NO.

DRAWING TITLE :

MOUNTING PANEL LOCATION

DRAWING NUMBER : **ADD1-02** SCALE :
(A1) 1/100
(A3) 1/200

DESIGNED BY :

CHECKED BY :

SUBMISSION DATE : December 2017

