

GENERAL STRUCTURAL NOTES

GENERAL:

- 1- ALL DIMENSIONS ARE WRITTEN IN CENTIMETERS UNLESS IT IS INDICATED OTHERWISE. LEVELS ARE IN METERS. ALL REINFORCING STEEL BARS DIAMETERS ARE SHOWN IN MILLIMETERS
- 2- DIMENSIONS SHALL NOT BE SCALED FROM DRAWINGS, THEY SHALL BE READ OR COMPUTED, CONSULT THE DESIGNER OTHERWISE
- 3- EVERY DRAWING SHALL BE READ IN CONJUNCTION WITH THE RELEVANT ARCHITECTURAL, MECHANICAL & ELECTRICAL DRAWINGS IN ADDITION TO ALL STRUCTURAL DRAWINGS OF THE SAME PART
- 4- CODES OF DESIGN:
STRUCTURAL DESIGN AND DETAILING WAS CARRIED ON IN ACCORDANCE WITH THE FOLLOWING JORDANIAN CODES:
1-CODE OF LOADS & FORCES
2-CODE OF STRUCTURAL CONCRETE
- 5- ALL CONSTRUCTION MATERIALS TO WHICH REFERENCE IS MADE IN THE DRAWINGS, SHALL CONFIRM TO THE MINISTRY OF PUBLIC WORKS & HOUSING CIVIL & ELECTROMECHANICAL SPECIFICATIONS/1996

MATERIAL PROPERTIES:

<u>CONCRETE</u>	<u>CHARACTERISTIC CUBE STRENGTH@28 DAYS</u>
BLINDING CONCRETE	15N/mm ²
SLAB ON GRADE	20N/mm ²
FOUNDATION	30N/mm ²
WALLS	30N/mm ²
SLABS & BEAMS	30N/mm ²
<u>REINFORCEMENT STEEL</u>	<u>YIELD STRESS</u>
DEFORMED HIGH STEEL BARS	f _y =420N/mm ²
MILD DEFORMED STEEL BARS (FOR Ø8 STIRRUPS)	f _y =280N/mm ²
ALL LAP SPLICES ARE TO BE STAGGERED	
MINIMUM BARS LAP LENGTH=50*BAR DIAMETER	

NOMINAL CONCRETE COVER TO REINFORCEMENT:

FOOTING	50 mm
COLUMN	30 mm
SLABS & BEAMS	25 mm
WALLS	25 mm

FOUNDATION:

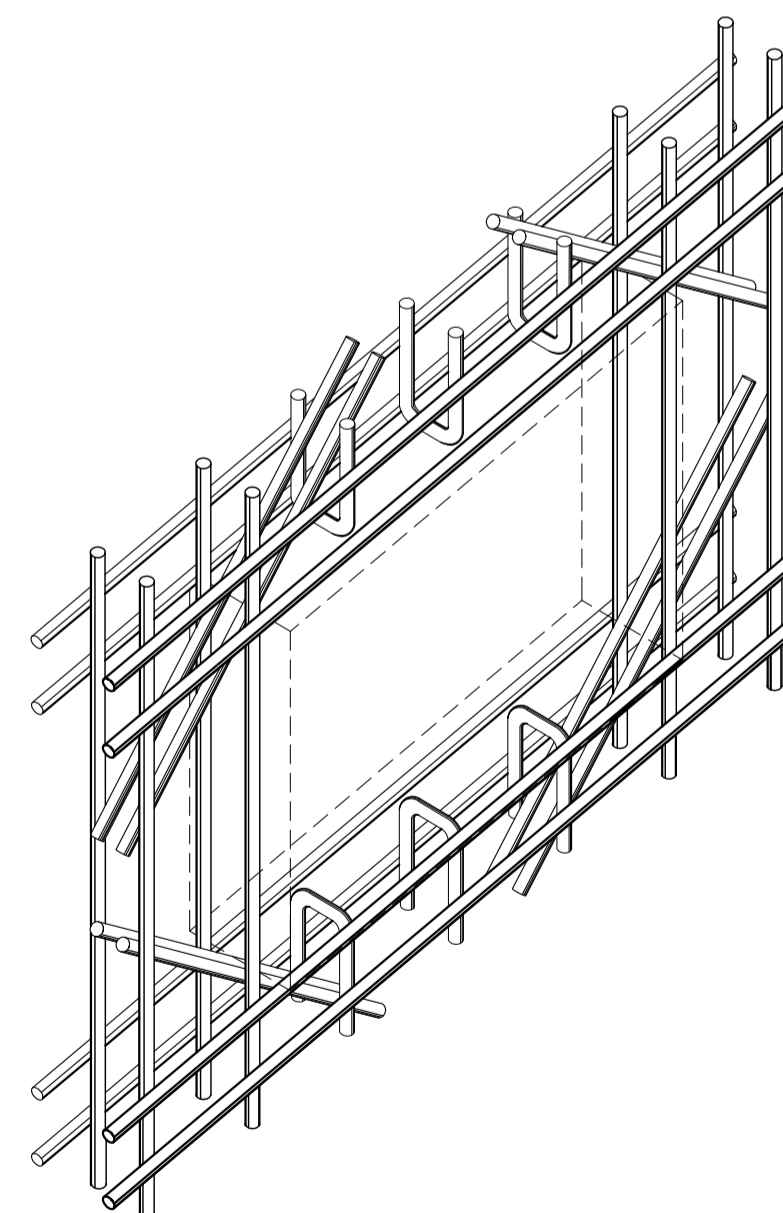
- THE ALLOWABLE SOIL BEARING CAPACITY IS ASSUMED TO BE = 2.20 Kg/cm²
- FOUNDATIONS SHOULD BE BASED ON INTERCALATED LIMESTONE LAYER.
- MINIMUM FOOTINGS DEPTH SHOULD BE 2.0m BELOW SURROUNDING NATURAL GROUND LEVEL.
- THE FOUNDATION DEPTH SHOULD BE CHECKED AND APPROVED BY THE GEOTECHNICAL OFFICE BEFORE CONCRETING.

NO. OF FLOORS

- WALLS & FOOTINGS ARE DESIGNED TO HOLD ONE ARCH ONLY, NO FUTURE EXTENSIONS.

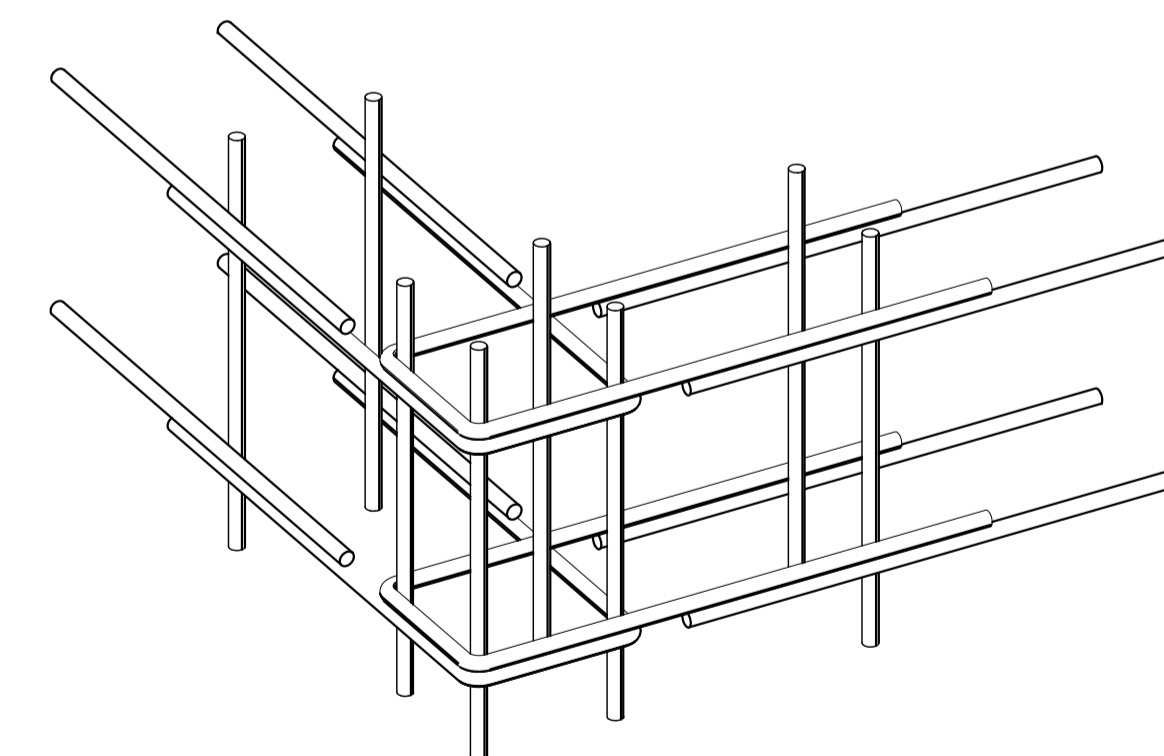
LEGEND:

ADD	ADDITIONAL
B	BOTTOM
B.O.	BOTTOM OF
C	COLUMN
CL	CONCRETE LEVEL
CLR	CLEAR
db	BAR DIAMETER IN mm
DWLS	DOWELS
E.F	EACH FACE
E.W	EACH WAY
B.W	BOTH WAYS
F	FOOTING
G.B	GROUND BEAM
MAX.	MAXIMUM
MIN.	MINIMUM
N.T.S	NOT TO SCALE
I.S	INTERMEDIATE SUPPORT
	I.S SHOULD BE PLACED ON NATURAL UNDISTURBED SOIL
T	TOP
T&B	TOP & BOTTOM
T.O	TOP OF
TSS	TOP STRUCTURAL SLAB
TYP.	TYPICAL
U.N.O	UNLESS NOTED OTHERWISE
C.W	COMMON WITH
REINF.	REINFORCEMENT
VERT.	VERTICAL
HORZ.	HORIZONTAL
ARCH.	ARCHITECTURAL
STRUC.	STRUCTURAL
DRWGS.	DRAWINGS
CONST.	CONSTANT
c/c	CENTER TO CENTER OF BARS



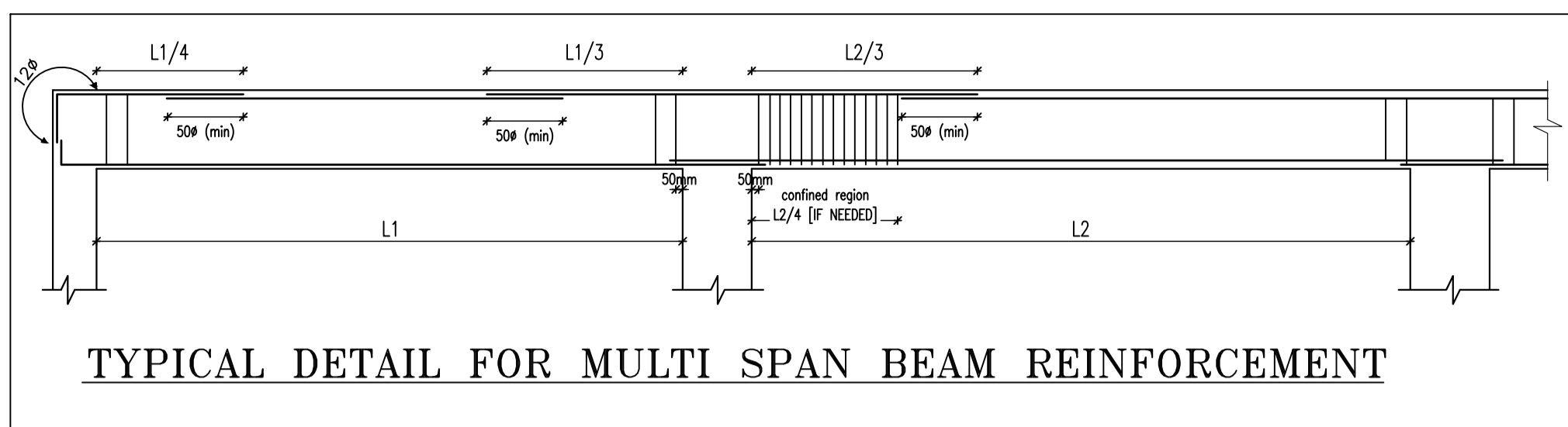
FOR ALL WALL OPENINGS

Fix diagonal 2Ø14X200 bars in both faces, at each corner.

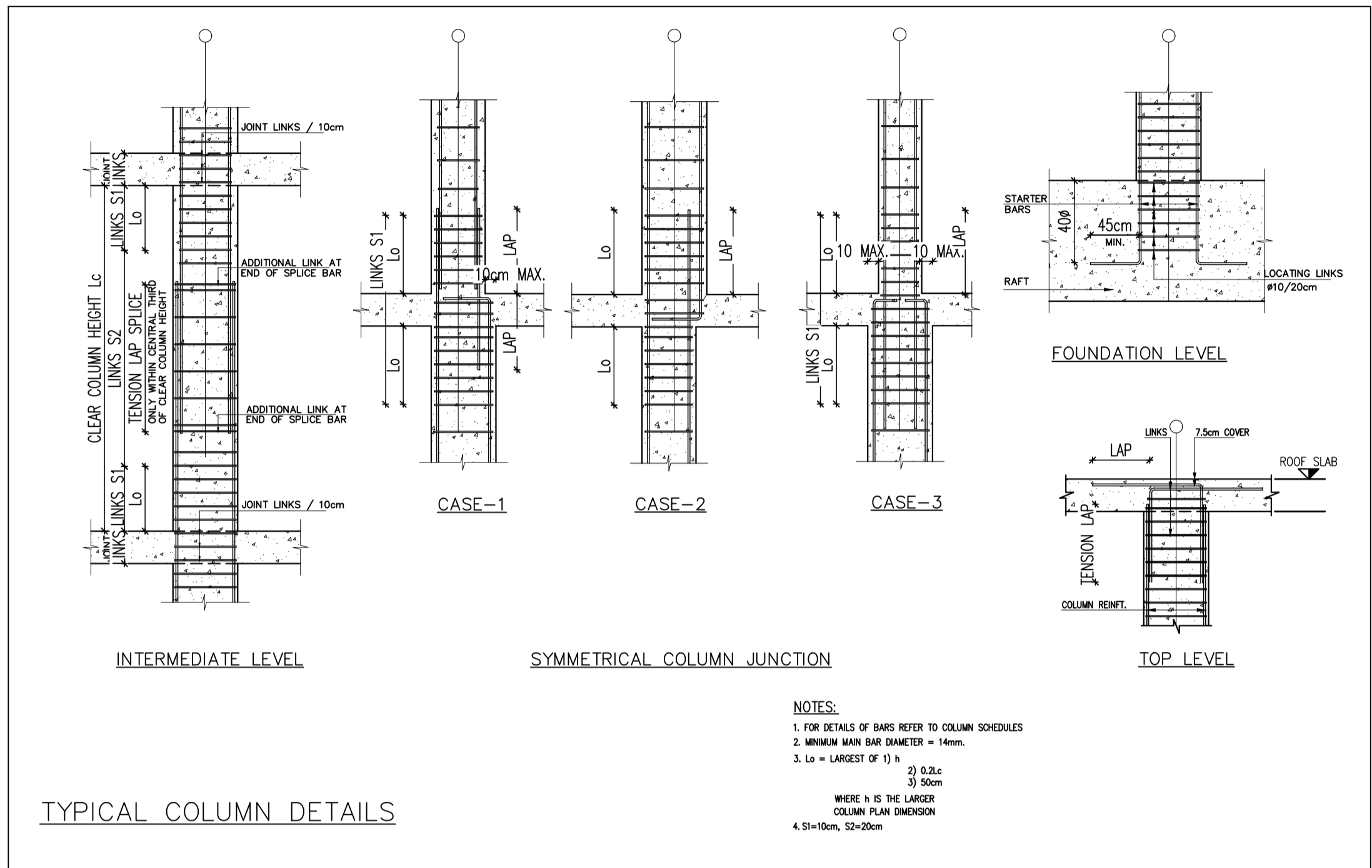


FOR ALL WALLS , WALL BEAMS AND DEEP BEAMS

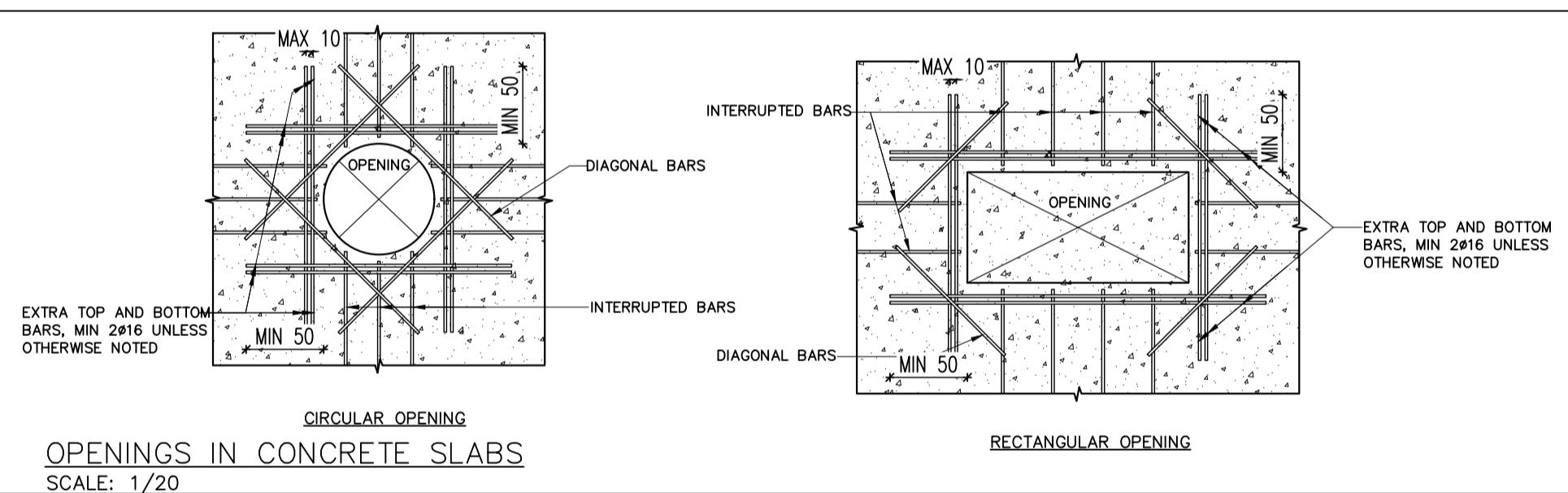
Use U Bars for ends and corners



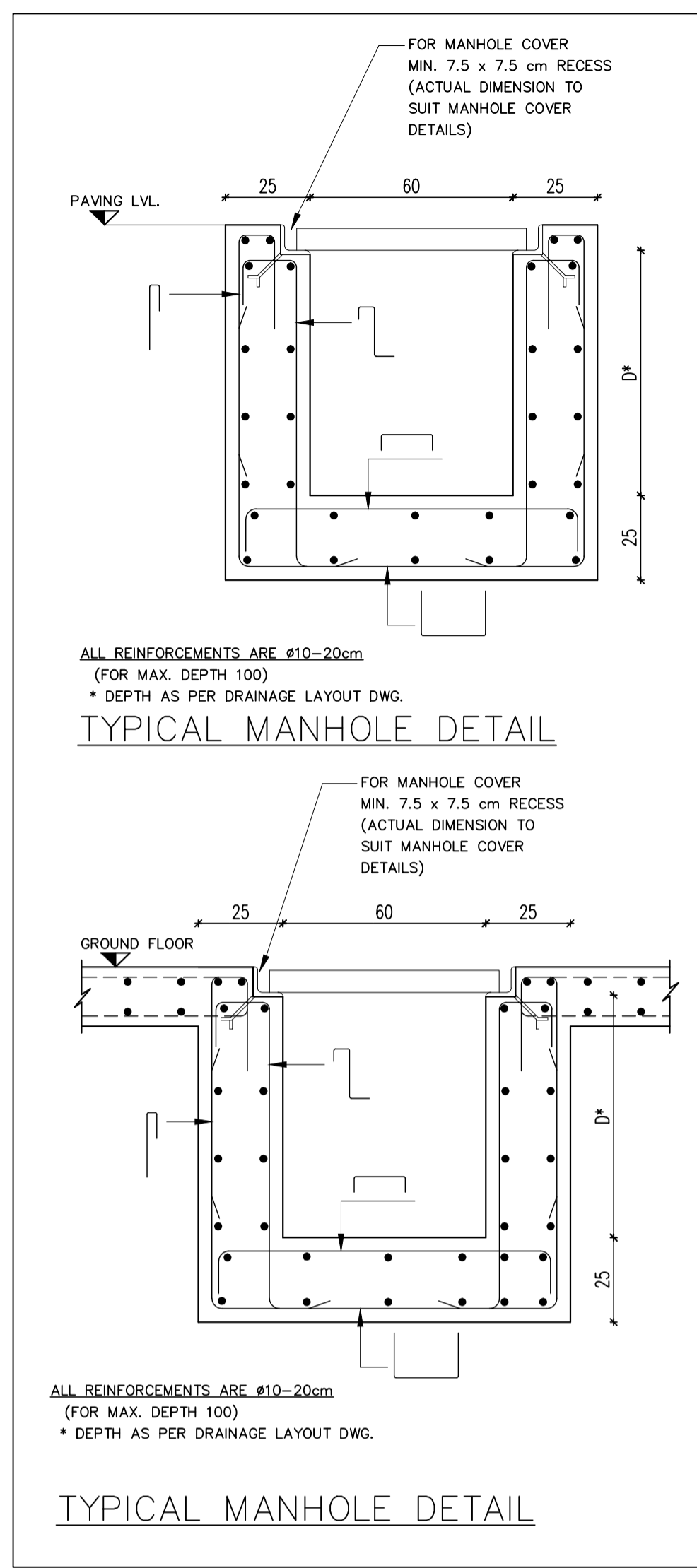
TYPICAL DETAIL FOR MULTI SPAN BEAM REINFORCEMENT



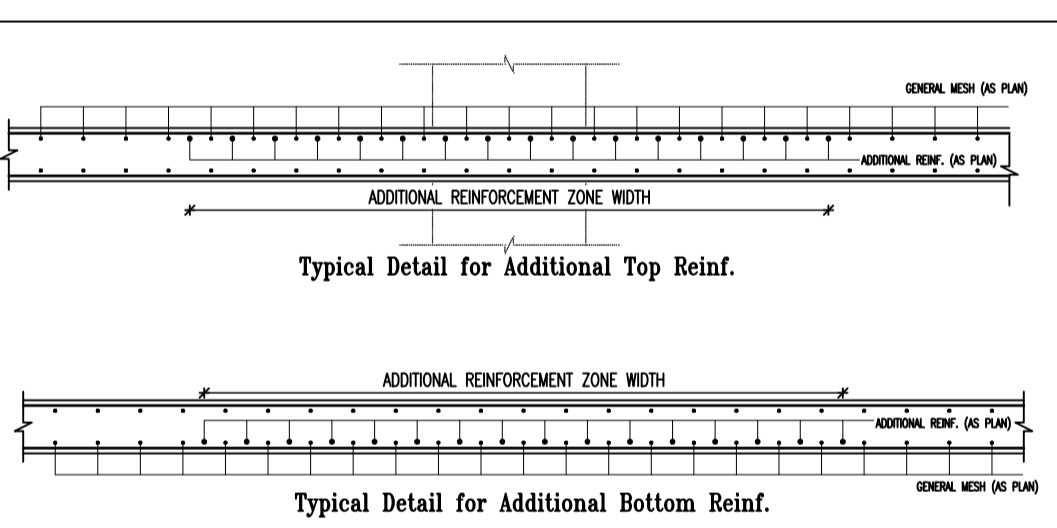
TYPICAL COLUMN DETAILS



OPENINGS IN CONCRETE SLABS
SCALE: 1/20

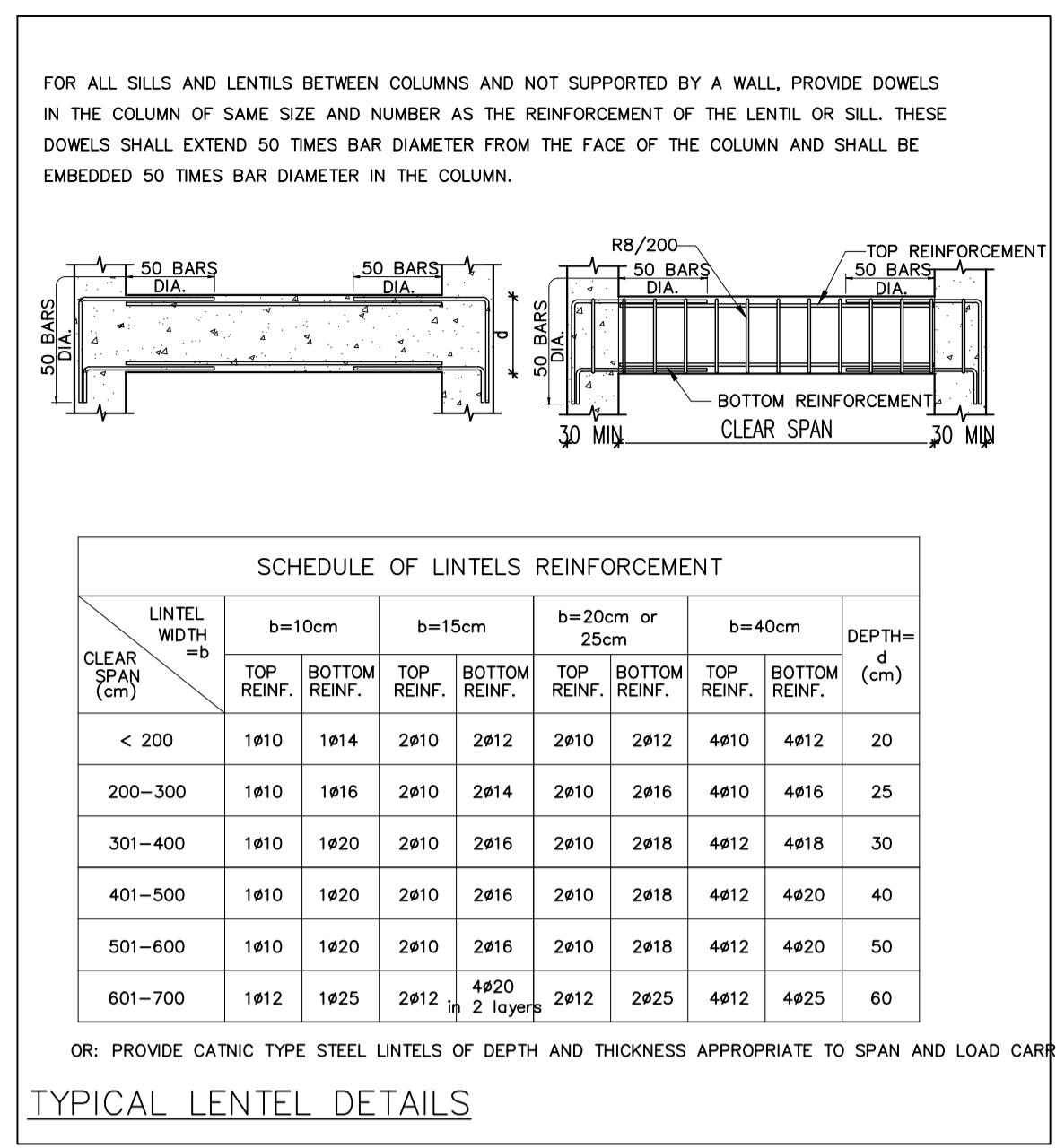


TYPICAL MANHOLE DETAIL

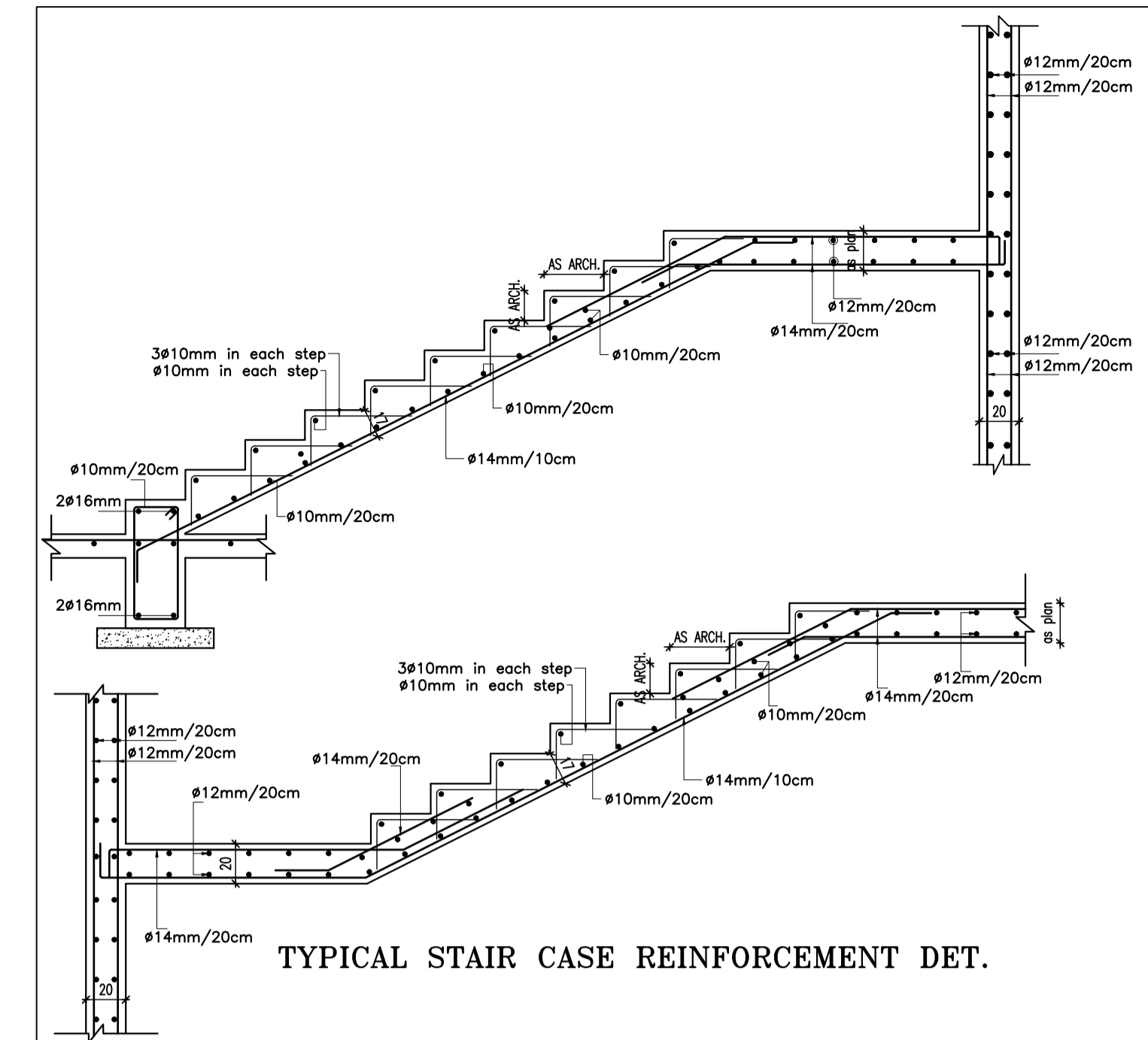


Typical Detail for Additional Top Reinf.

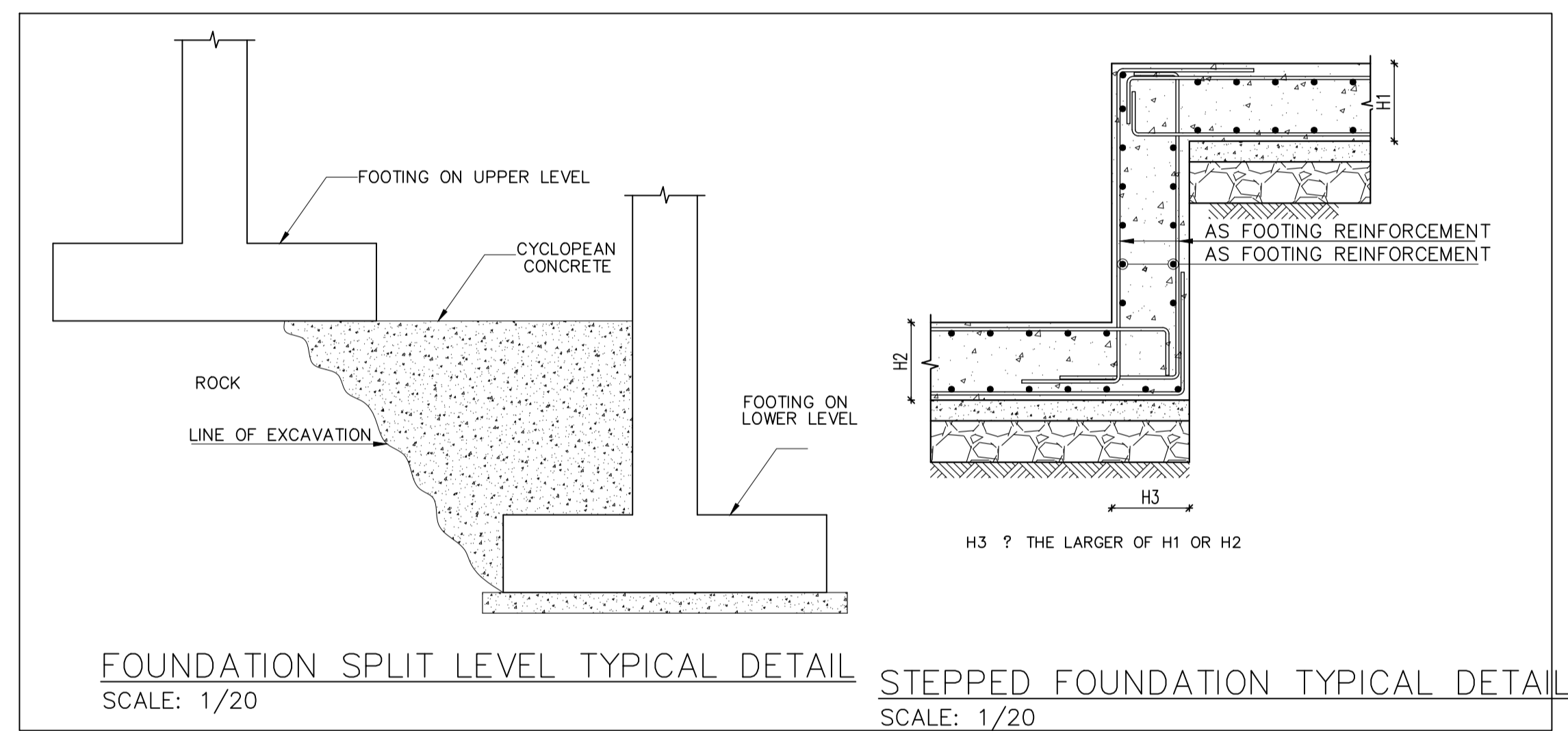
Typical Detail for Additional Bottom Reinf.



TYPICAL LINTEL DETAILS

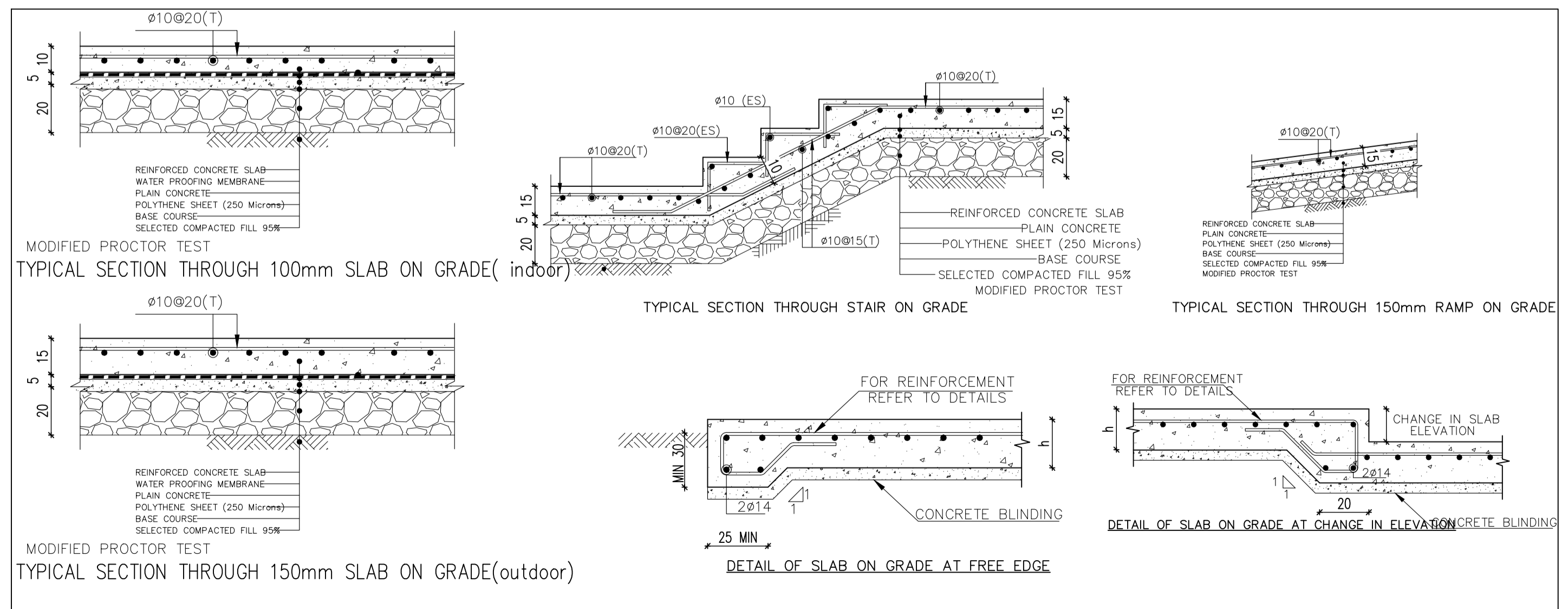


TYPICAL STAIR CASE REINFORCEMENT DET.



FOUNDATION SPLIT LEVEL TYPICAL DETAIL
SCALE: 1/20

STEPPED FOUNDATION TYPICAL DETAIL
SCALE: 1/20



TYPICAL SECTION THROUGH 100mm SLAB ON GRADE (indoor)

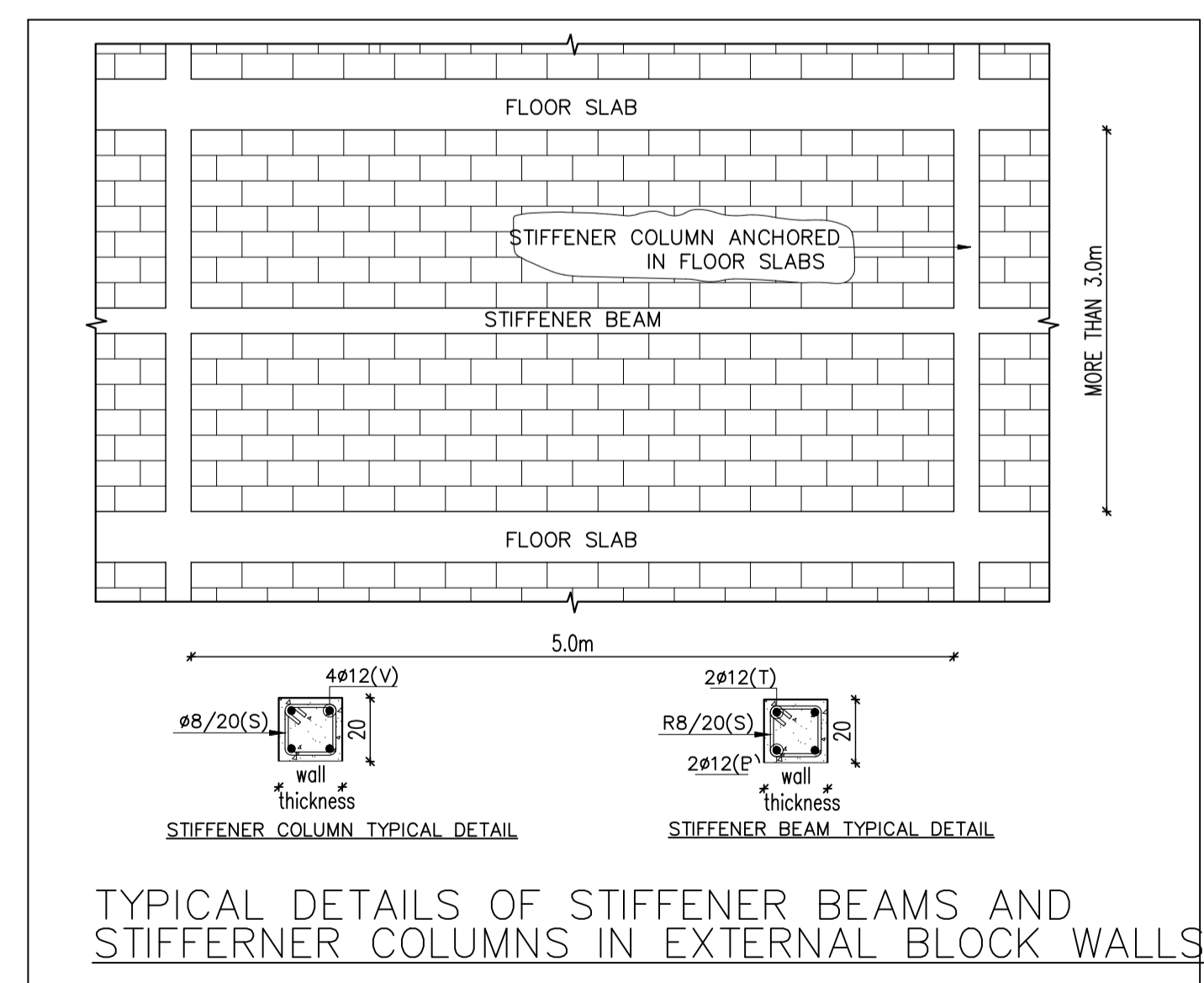
TYPICAL SECTION THROUGH STAIR ON GRADE

TYPICAL SECTION THROUGH 150mm RAMP ON GRADE

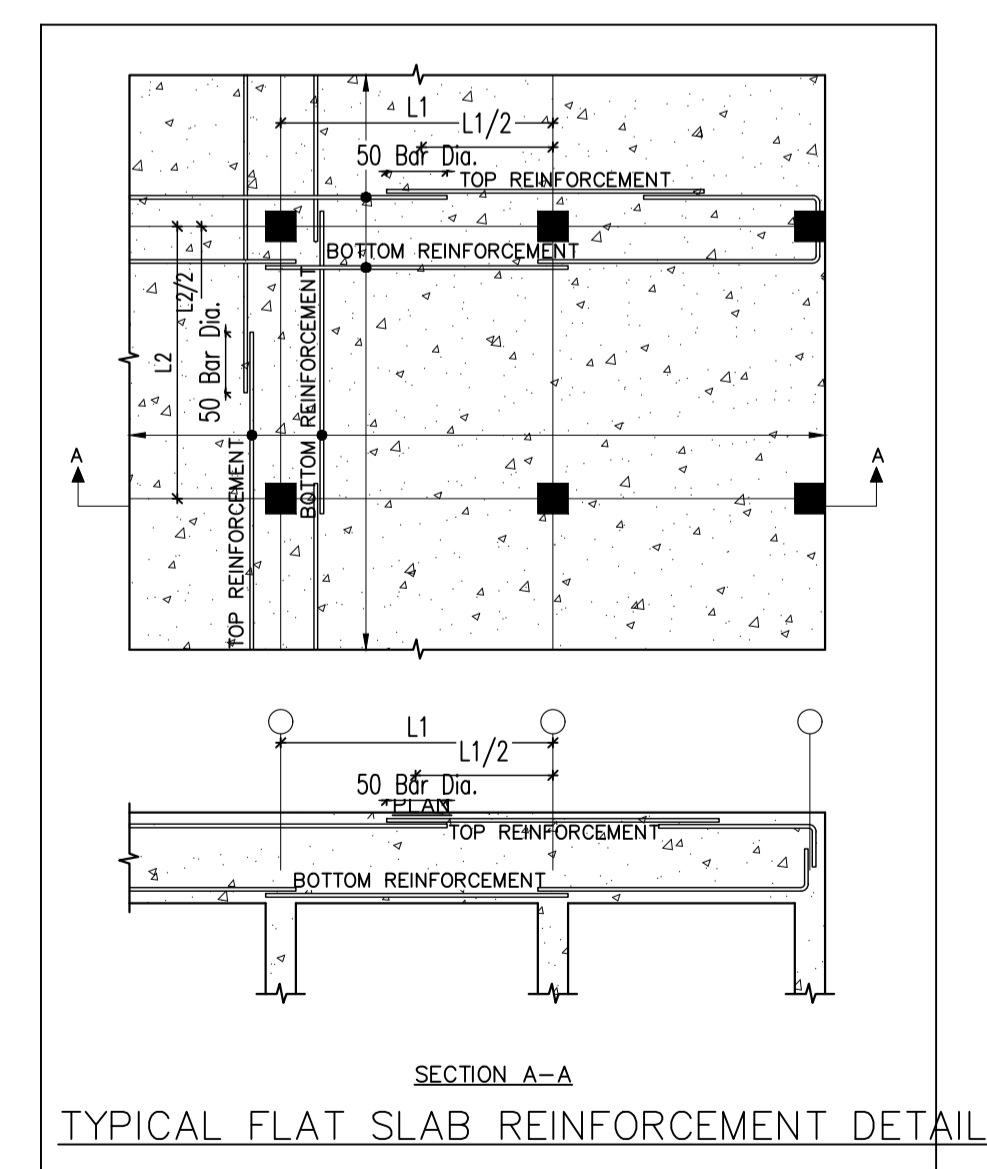
TYPICAL SECTION THROUGH 150mm SLAB ON GRADE (outdoor)

DETAIL OF SLAB ON GRADE AT FREE EDGE

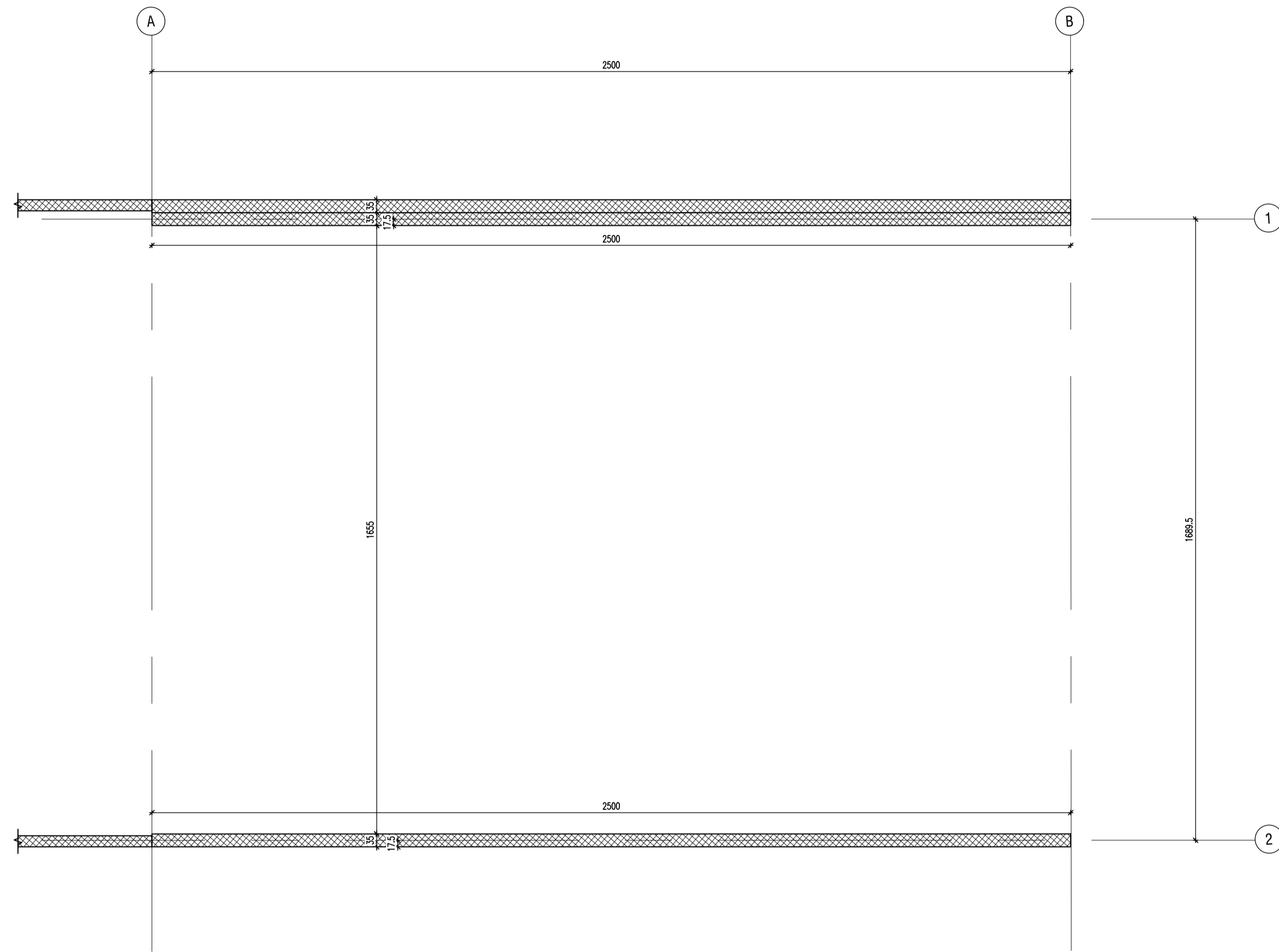
DETAIL OF SLAB ON GRADE AT CHANGE IN ELEVATION

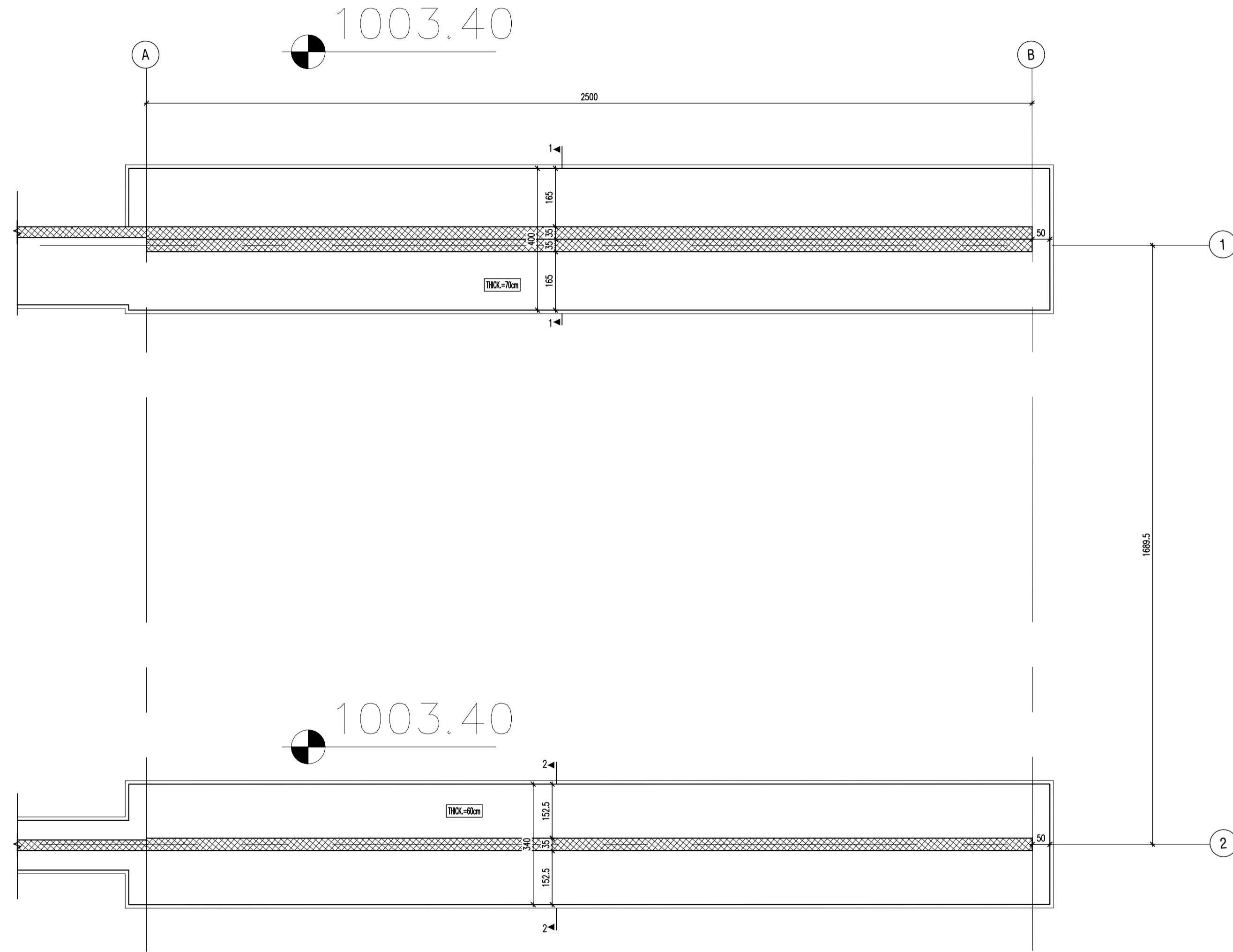


TYPICAL DETAILS OF STIFFENER BEAMS AND STIFFENER COLUMNS IN EXTERNAL BLOCK WALLS



TYPICAL FLAT SLAB REINFORCEMENT DETAIL

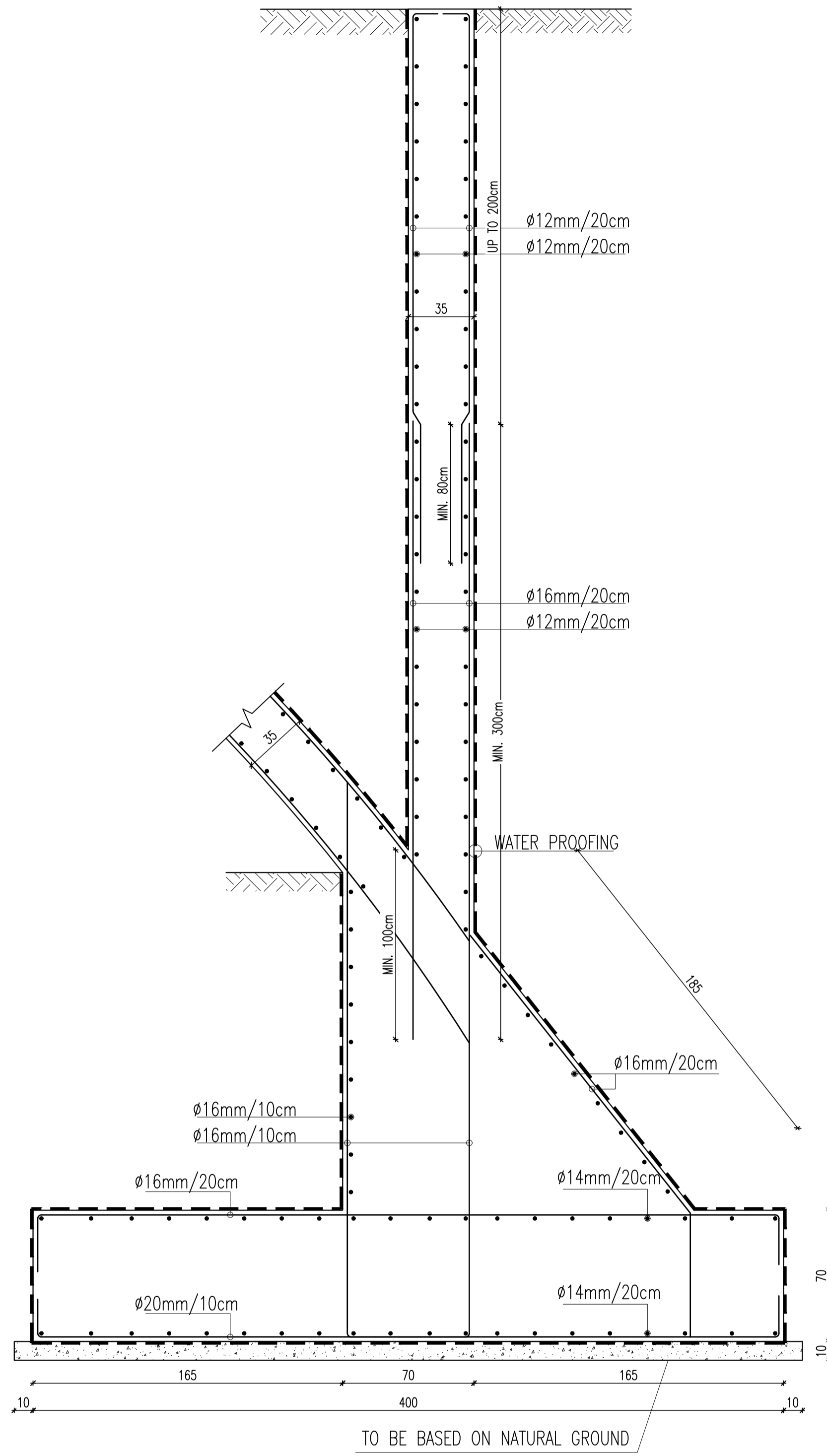




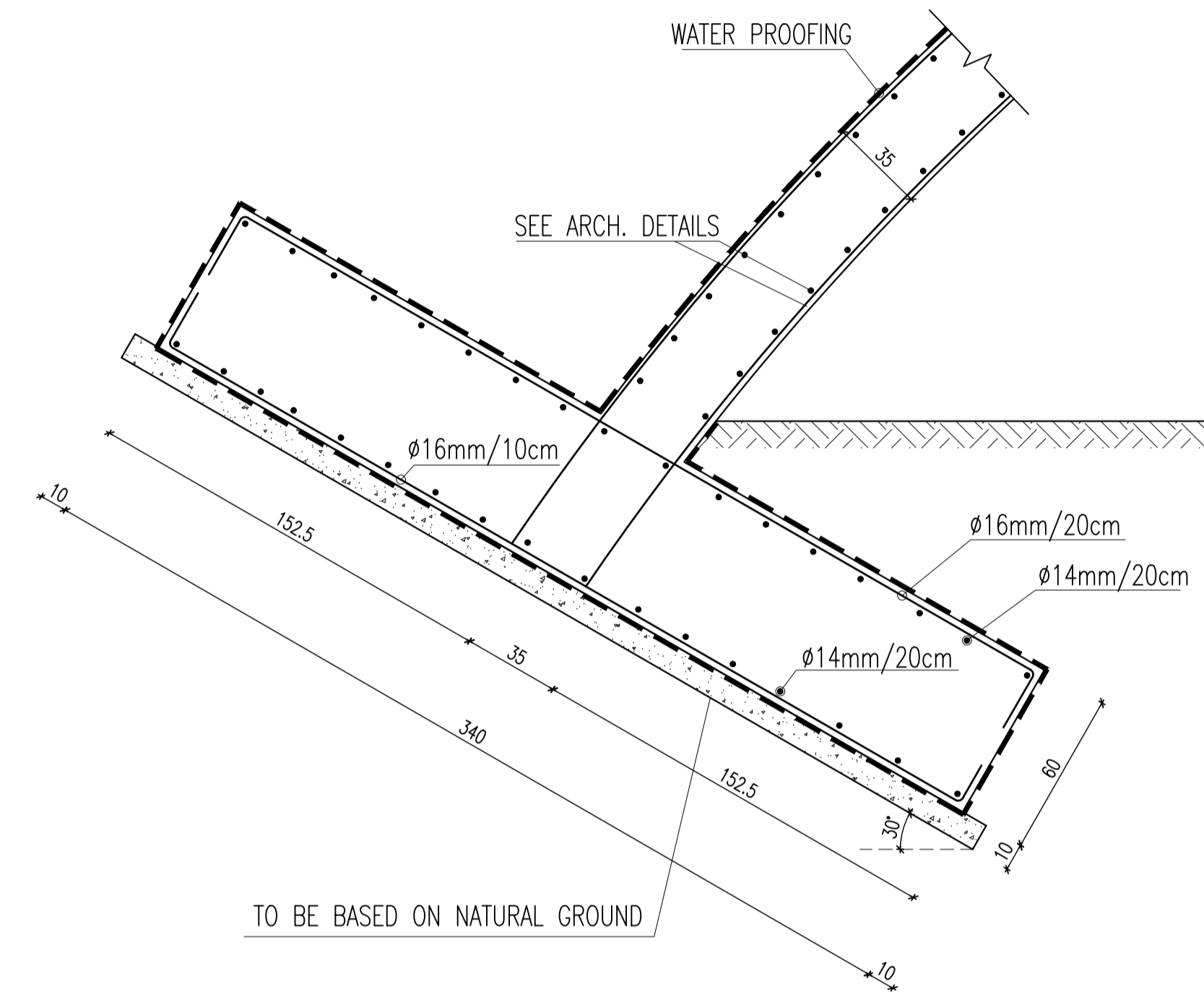
TO BE BASED ON NATURAL GROUND

يجب التأسيس على أرض طبيعية
يمنع التأسيس على طمم

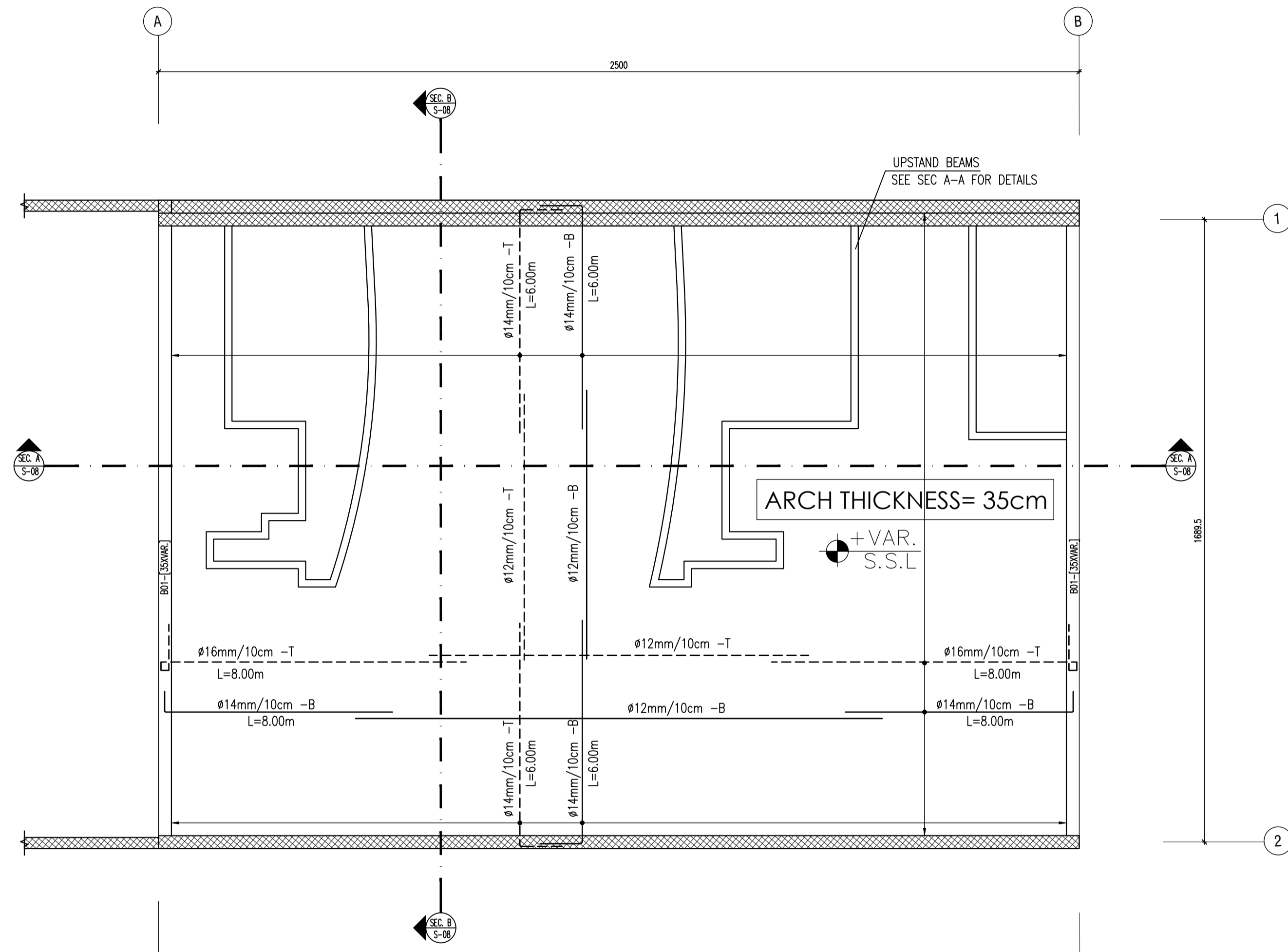
ملاحظة يمنع منا با تا صب أي مدة أرضية ، ويجب بقاء الارض الطبيعية كما هي



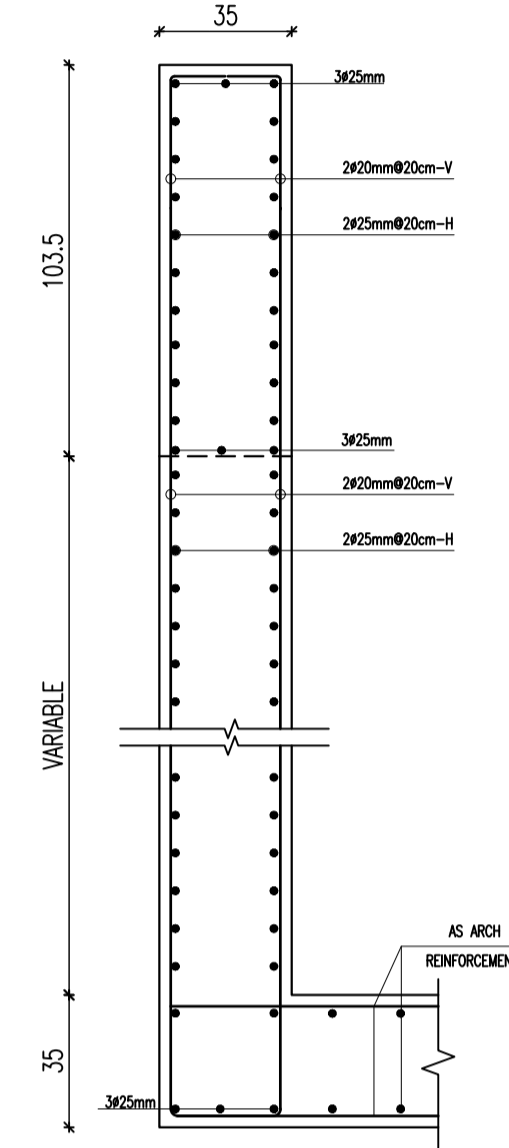
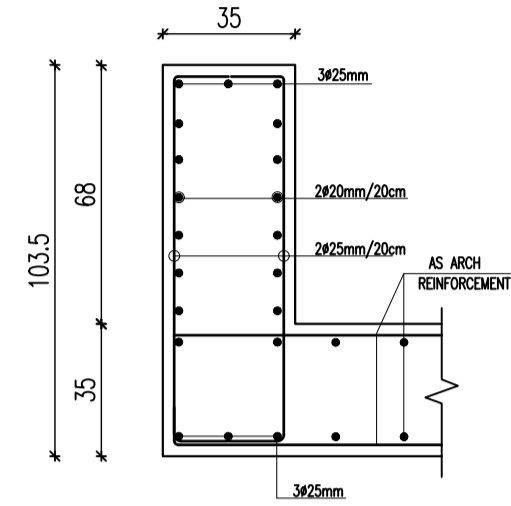
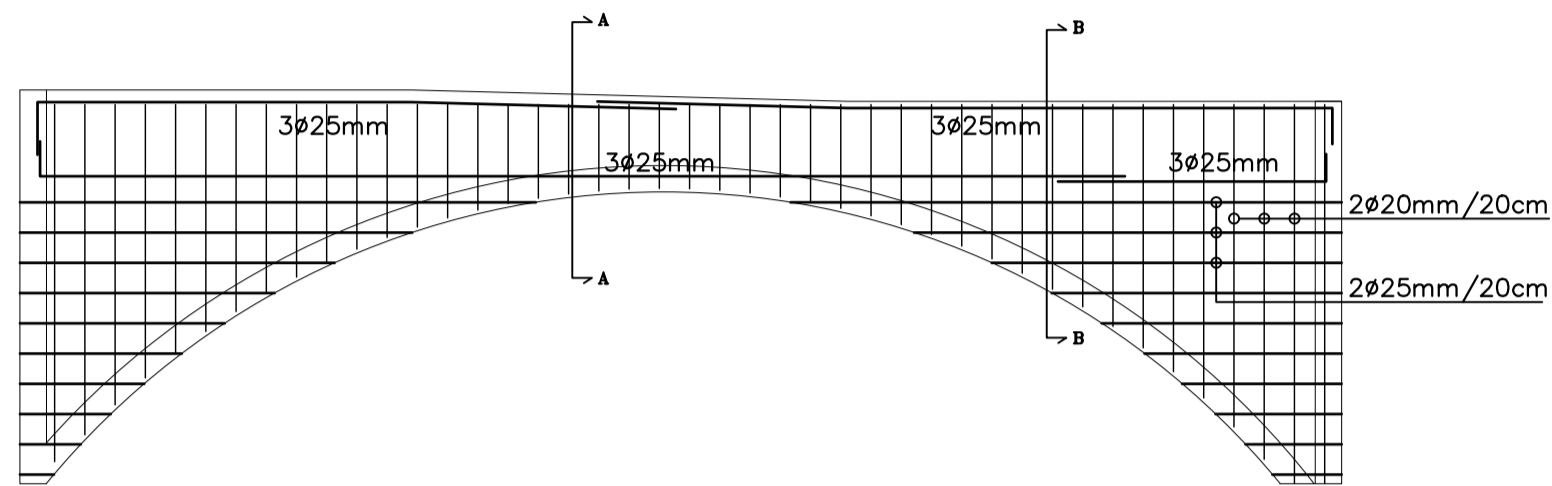
SECTION 1-1
SCALE 1:20



SECTION 2-2
SCALE 1:20



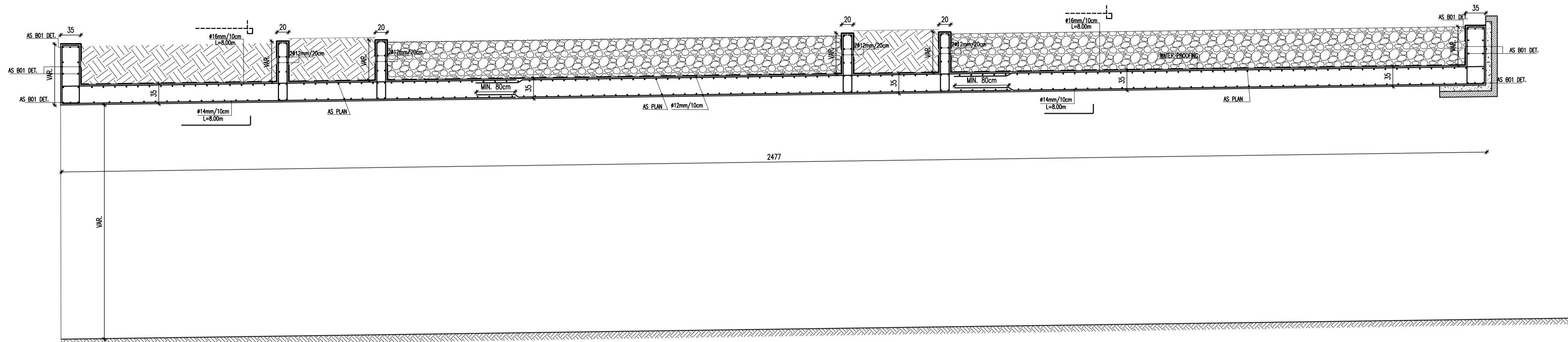
CULVERT ARCH TOP & BOTTOM REINFORCEMENT LAYOUT PLAN
SCALE 1:100



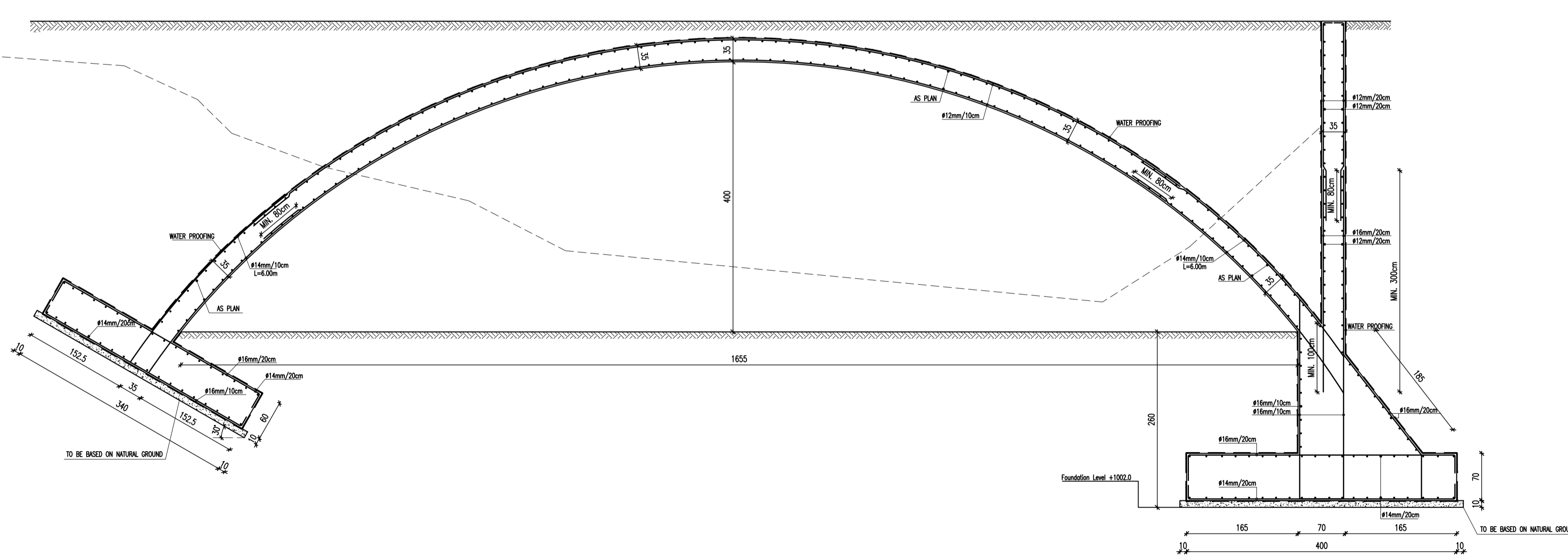
B01
LONG. SECTION IN BEAM (B01) 1:100

SECTION A-A
Scale 1:20

SECTION B-B
Scale 1:20



SECTION A-A IN ARCH
SCALE 1:50



SECTION B-B IN ARCH SECTION B-B IN ARCH
SCALE 1:50