

GENERAL STRUCTURAL NOTES

GENERAL:

- 1- ALL DIMENSIONS ARE WRITTEN IN CENTIMETERS UNLESS IT IS INDICATED OTHERWISE. LEVELS ARE IN METERS. ALL REINFORCING STEEL BARS DIAMETERS ARE SHOWN IN MILLIMETERS
- 2- DIMENSIONS SHALL NOT BE SCALED FROM DRAWINGS, THEY SHALL BE READ OR COMPUTED, CONSULT THE DESIGNER OTHERWISE
- 3- EVERY DRAWING SHALL BE READ IN CONJUNCTION WITH THE RELEVANT ARCHITECTURAL, MECHANICAL & ELECTRICAL DRAWINGS IN ADDITION TO ALL STRUCTURAL DRAWINGS OF THE SAME PART
- 4- CODES OF DESIGN:
STRUCTURAL DESIGN AND DETAILING WAS CARRIED ON IN ACCORDANCE WITH THE FOLLOWING JORDANIAN CODES:
1-CODE OF LOADS & FORCES
2-CODE OF STRUCTURAL CONCRETE
- 5- ALL CONSTRUCTION MATERIALS TO WHICH REFERENCE IS MADE IN THE DRAWINGS, SHALL CONFIRM TO THE MINISTRY OF PUBLIC WORKS & HOUSING CIVIL & ELECTROMECHANICAL SPECIFICATIONS/1996

MATERIAL PROPERTIES:

CONCRETE	CHARACTERISTIC CUBE STRENGTH@28 DAYS
BLINDING CONCRETE	15N/mm ²
SLAB ON GRADE	20N/mm ²
FOUNDATION	30N/mm ²
WALLS	30N/mm ²
COLUMNS	30N/mm ²
SLABS & BEAMS	30N/mm ²

REINFORCEMENT STEEL	YIELD STRESS
DEFORMED HIGH STEEL BARS	f _y =420N/mm ²
MILD DEFORMED STEEL BARS (FOR Ø8 STIRRUPS ONLY)	f _y =280N/mm ²

ALL LAP SPLICES ARE TO BE STAGGERED
MINIMUM BARS LAP LENGTH=50*BAR DIAMETER

NOMINAL CONCRETE COVER TO REINFORCEMENT:

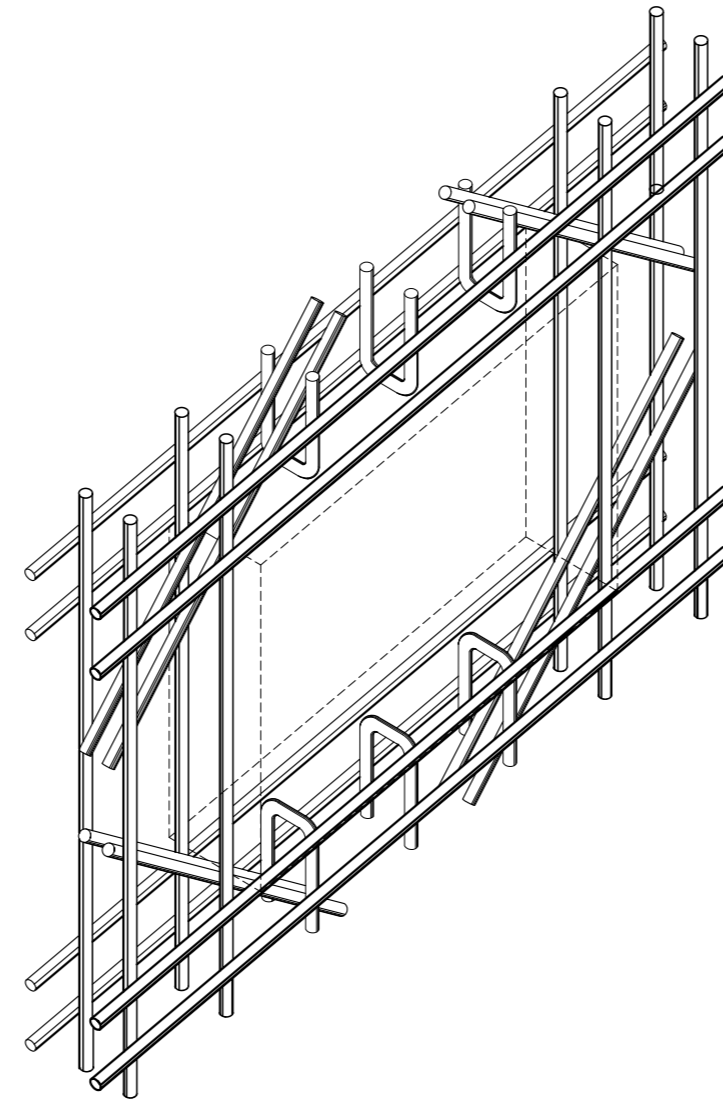
FOOTING	50 mm
COLUMN	30 mm
SLABS & BEAMS	25 mm
WALLS	25 mm

FOUNDATION:

- THE ALLOWABLE SOIL BEARING CAPACITY FOR ZONE (1)=2.5Kg/cm²
- THE ALLOWABLE SOIL BEARING CAPACITY FOR ZONE (2)=2.0Kg/cm²
- THE ALLOWABLE SOIL BEARING CAPACITY FOR ZONE (3)=1.6Kg/cm²
- MINIMUM FOOTINGS DEPTH FOR ZONE (1) SHOULD BE 1.0m BELOW SURROUNDING NATURAL GROUND LEVEL.
- MINIMUM FOOTINGS DEPTH FOR ZONE (2&3) SHOULD BE 2.0m BELOW SURROUNDING NATURAL GROUND LEVEL.
- THE FOUNDATION DEPTH SHOULD BE CHECKED AND APPROVED BY THE GEOTECHNICAL OFFICE BEFORE CONCRETING.

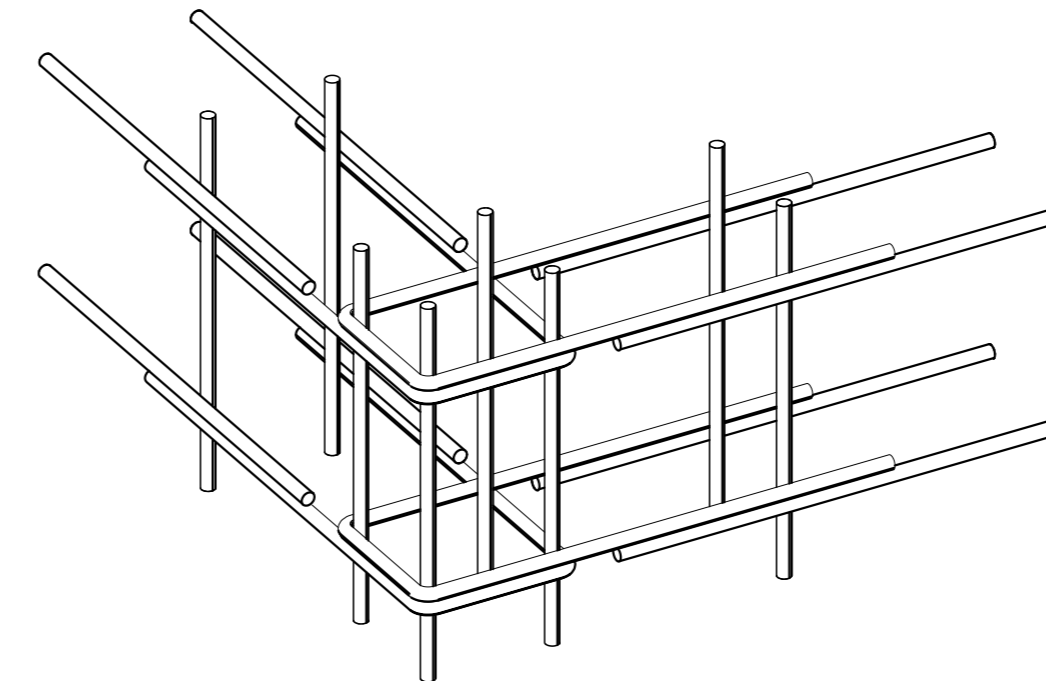
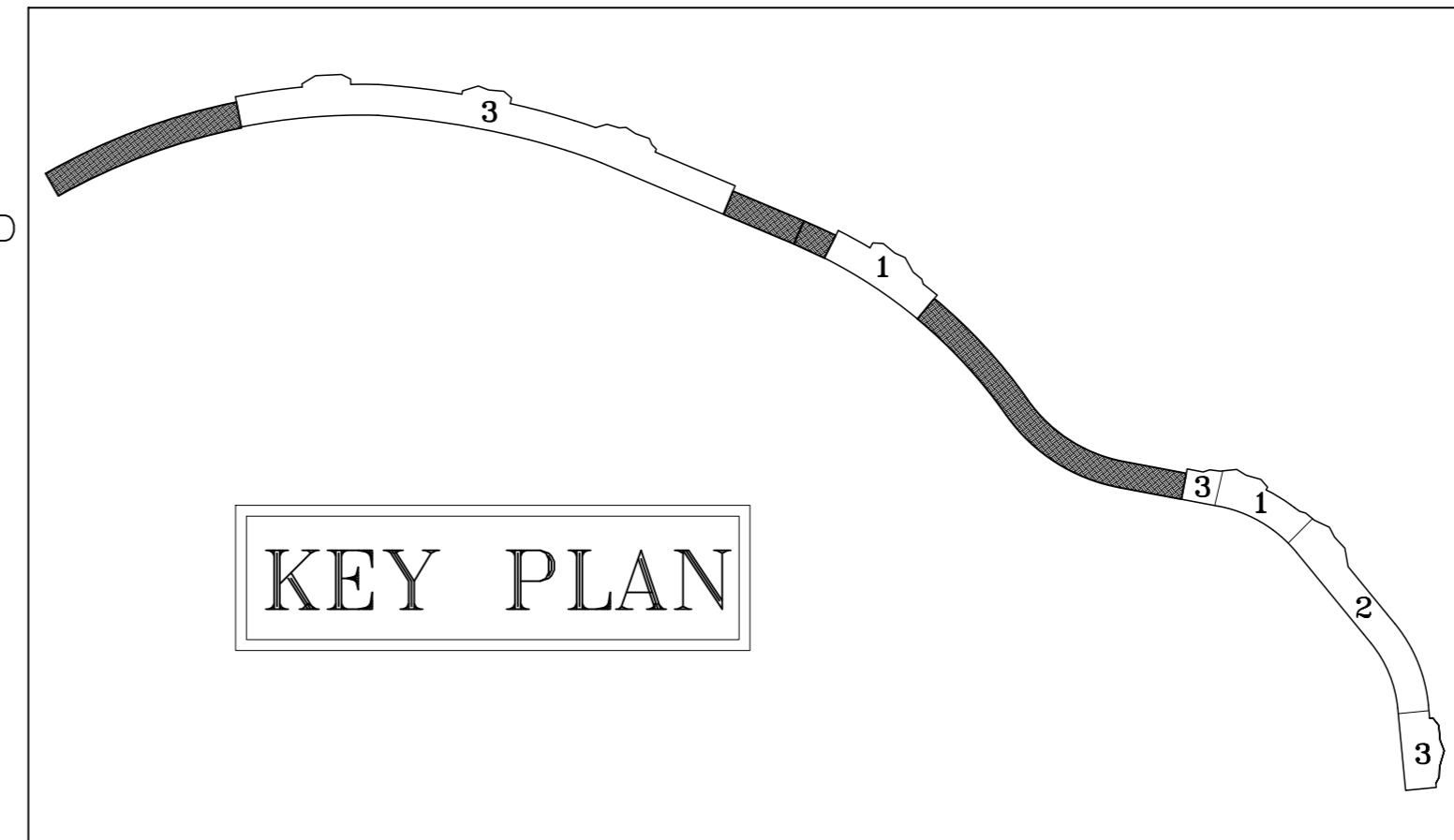
NO. OF FLOORS

- COLUMNS & FOOTINGS ARE DESIGNED TO HOLD ONE FLOOR ONLY, NO FUTURE EXTENSIONS.



FOR ALL WALL OPENINGS

Fix diagonal 2Ø14X200 bars in both faces, at each corner.

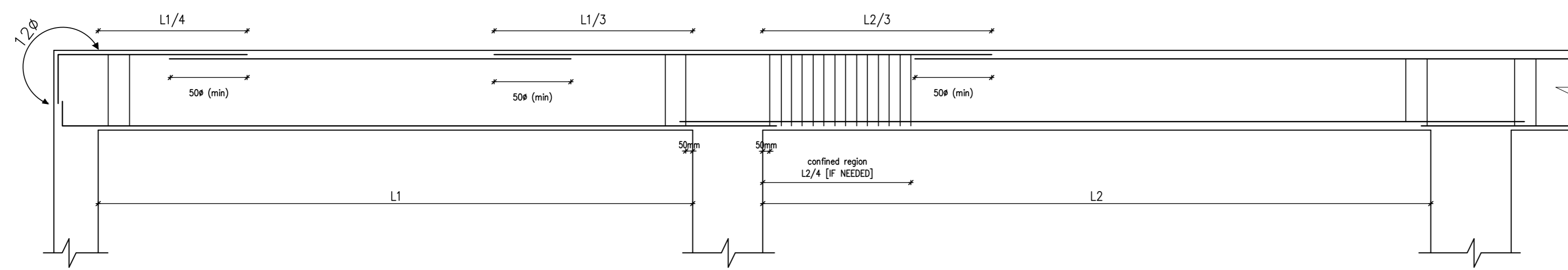


FOR ALL WALLS , WALL BEAMS AND DEEP BEAMS

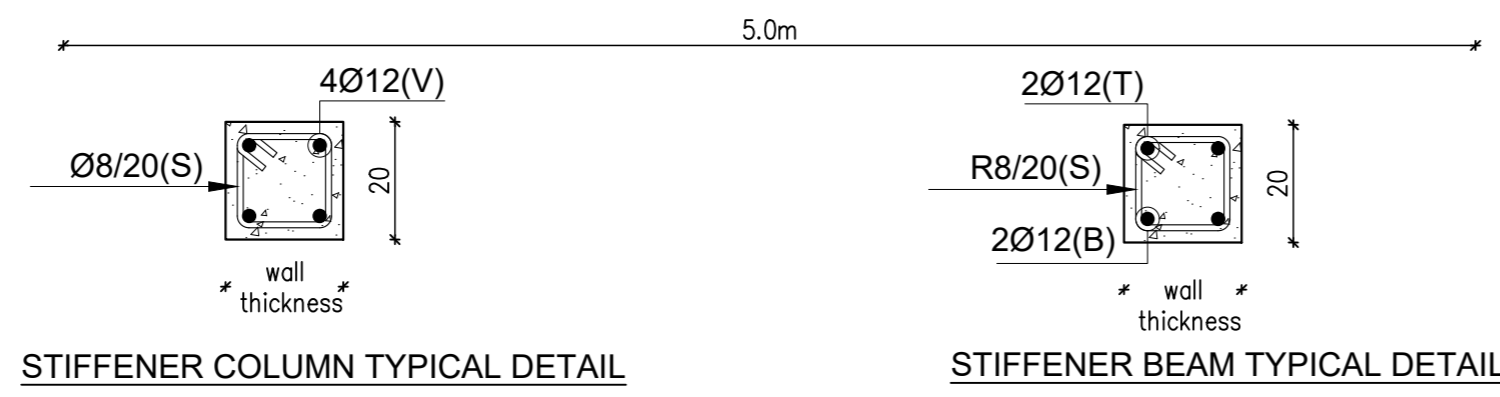
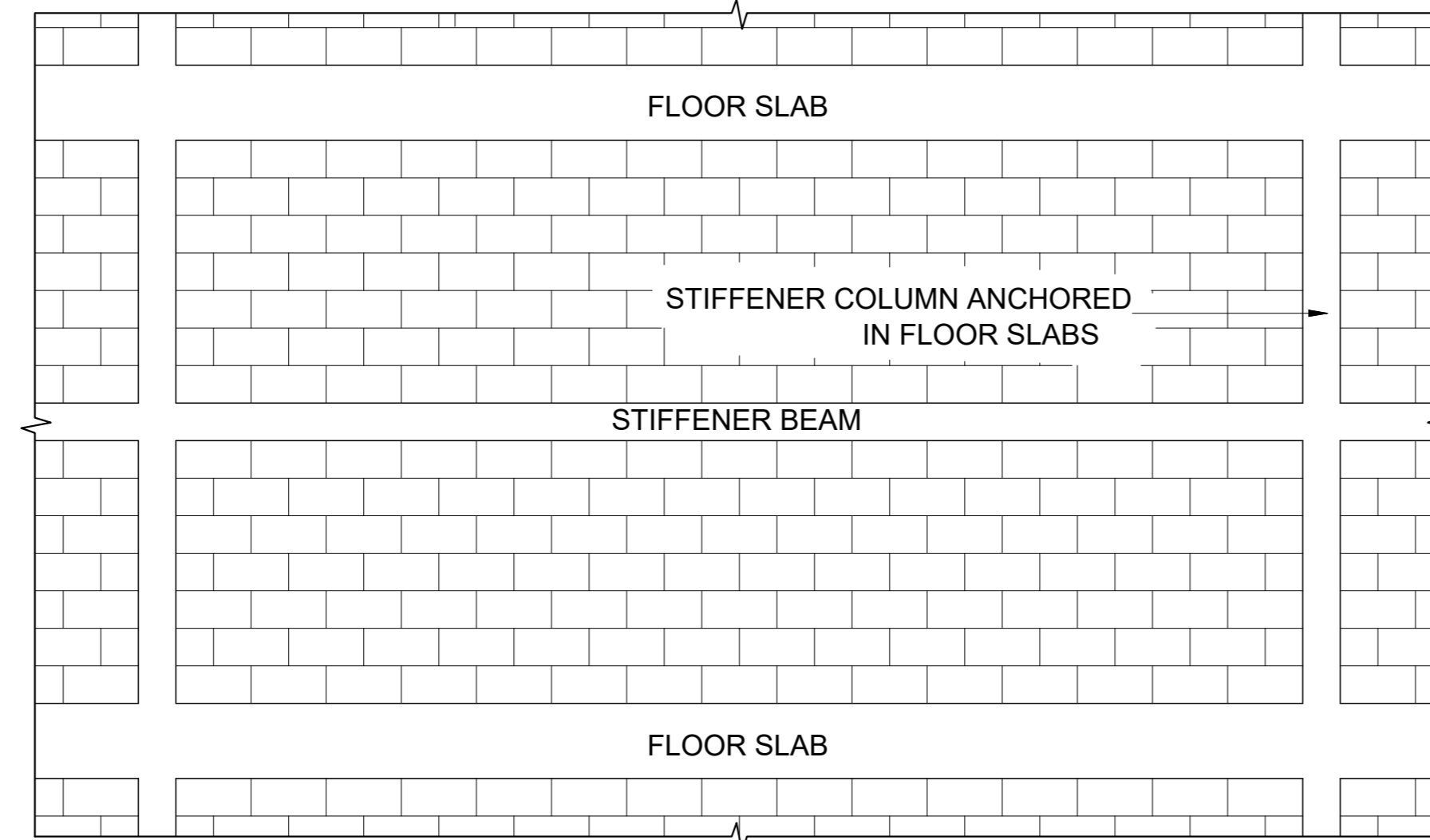
Use U Bars for ends and corners

LEGEND:

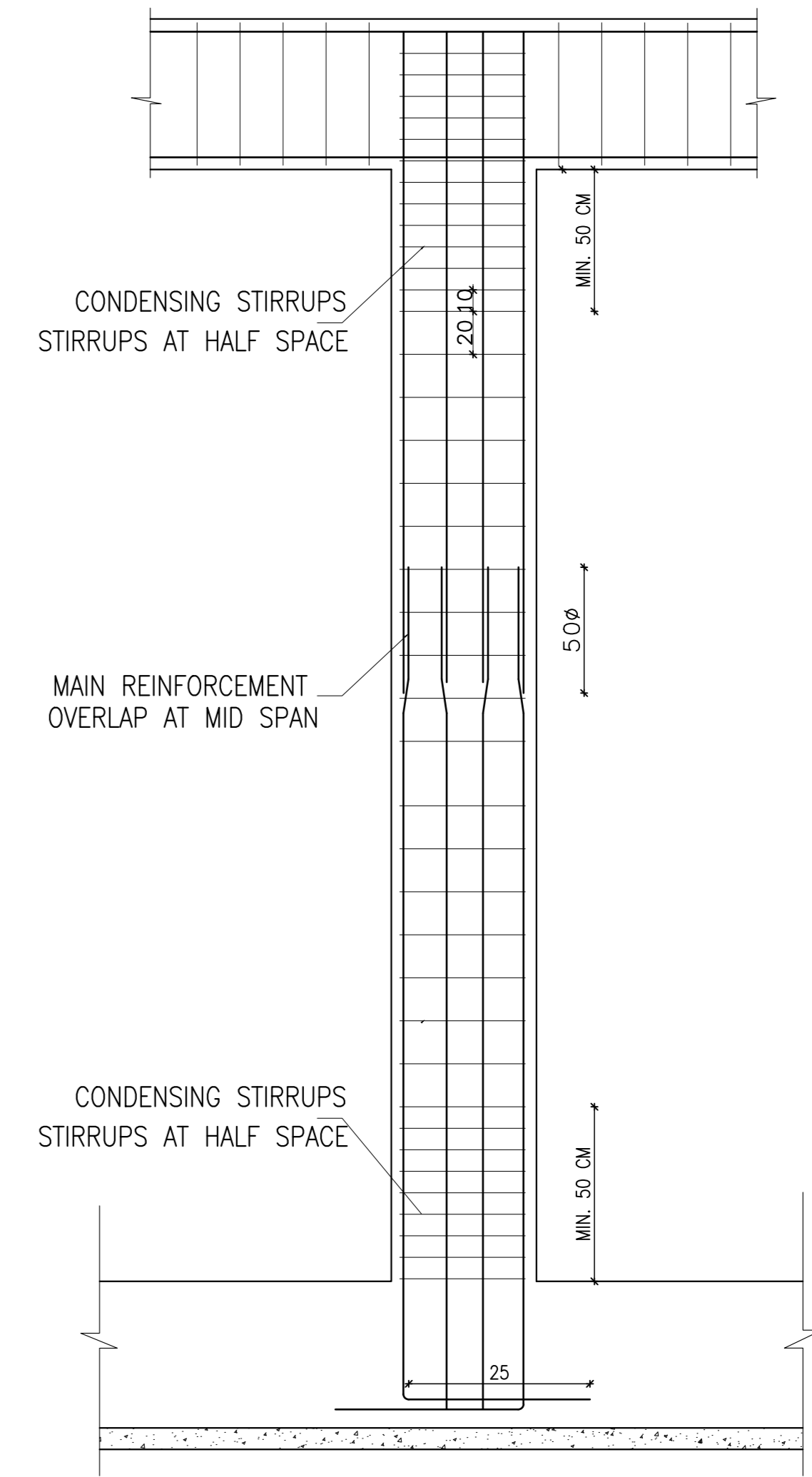
ADD	ADDITIONAL
B	BOTTOM
B.O.	BOTTOM OF
C	COLUMN
CL	CONCRETE LEVEL
CLR	CLEAR
db	BAR DIAMETER IN mm
DWLS	DOWELS
E.F	EACH FACE
E.W	EACH WAY
B.W	BOTH WAYS
F	FOOTING
G.B	GROUND BEAM
MAX.	MAXIMUM
MIN.	MINIMUM
N.T.S	NOT TO SCALE
I.S	INTERMEDIATE SUPPORT
	I.S SHOULD BE PLACED ON NATURAL UNDISTURBED SOIL TOP
T	TOP
T&B	TOP & BOTTOM
T.O	TOP OF
TSS	TOP STRUCTURAL SLAB
TYP.	TYPICAL
U.N.O	UNLESS NOTED OTHERWISE
C.W	COMMON WITH
REINF.	REINFORCEMENT
VERT.	VERTICAL
HORZ.	HORIZONTAL
ARCH.	ARCHITECTURAL
STRUC.	STRUCTURAL
DRWGS.	DRAWINGS
CONST.	CONSTANT
c/c	CENTER TO CENTER OF BARS



TYPICAL DETAIL FOR MULTI SPAN BEAM REINFORCEMENT



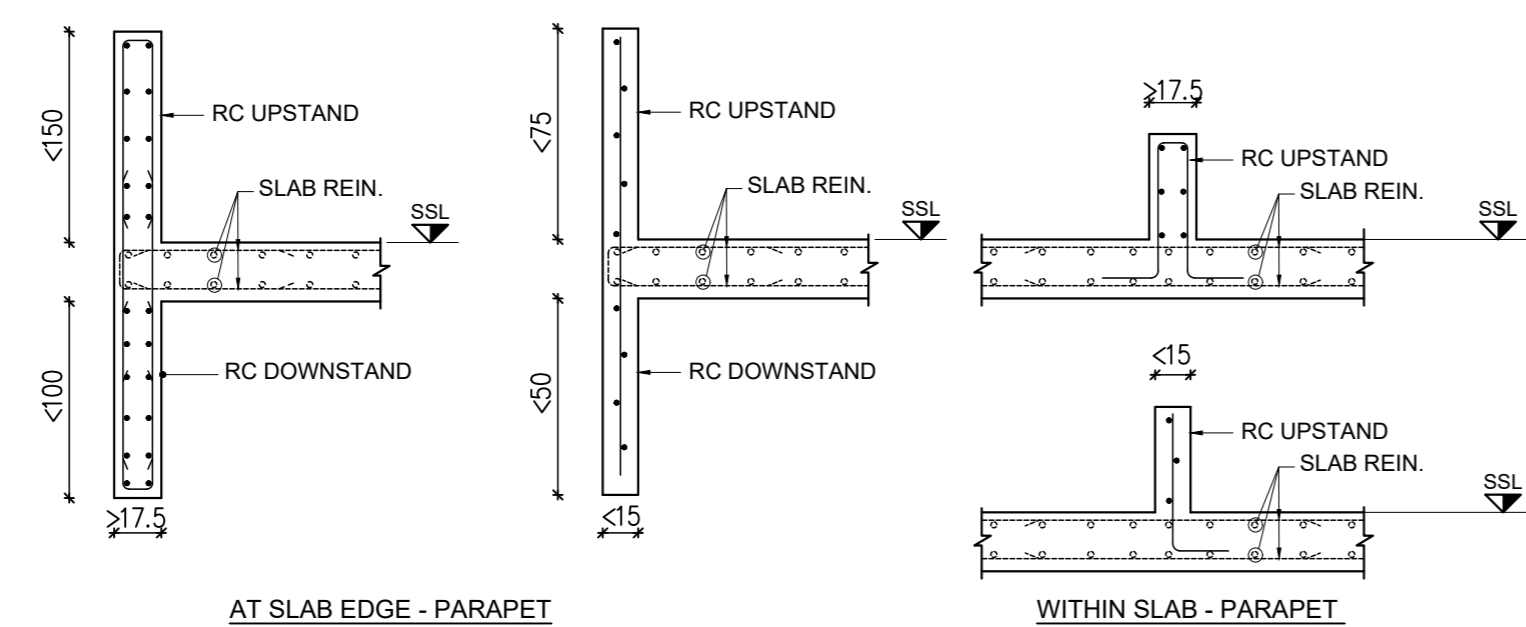
TYPICAL DETAILS OF STIFFENER BEAMS AND STIFFENER COLUMNS IN EXTERNAL BLOCK WALLS



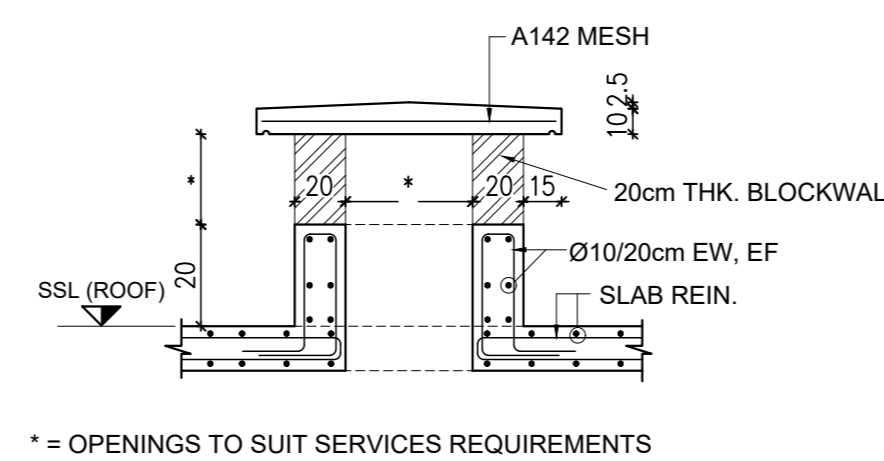
LONG SECTION IN COLUMN

NOTES:

- 2. MINIMUM MAIN BAR DIAMETER = 14mm.
- 1. FOR DETAILS OF ~~BAR~~ REFER TO COLUMN SCHEDULES
- 3) 50cm
- WHERE h IS THE LARGER COLUMN PLAN DIMENSION



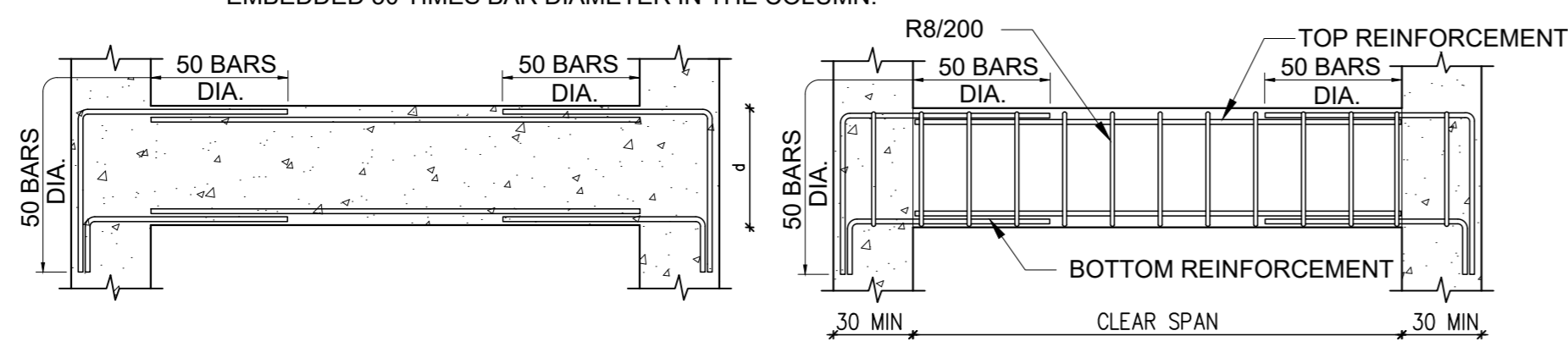
TYPICAL UPSTAND DOWNSTAND DETAILS



TYPICAL COVERED ROOF PENETRATION FOR MEP SERVICES

SCHEDULE OF UPSTAND/DOWNSTAND REINFORCEMENT	
WIDTH	REINFORCEMENT
≤15cm	Ø10/20cm VERTICAL ONE LAYER Ø8/15cm HORIZONTAL (PLACED CENTRALLY)
≥17.5cm	Ø10/15cm VERTICAL E.F. Ø10/15cm HORIZONTAL E.F.

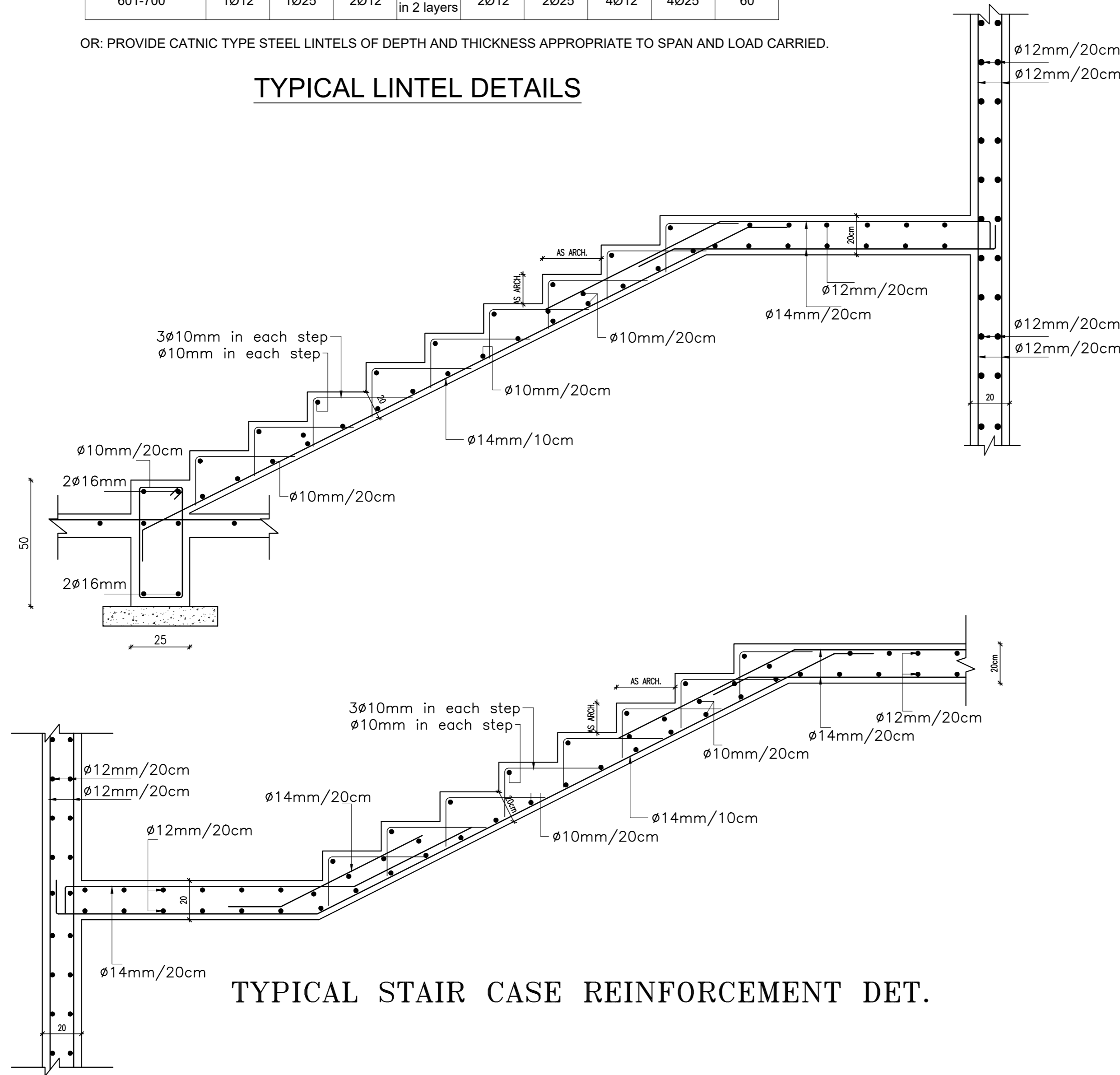
FOR ALL SILLS AND LENTILS BETWEEN COLUMNS AND NOT SUPPORTED BY A WALL, PROVIDE DOWELS IN THE COLUMN OF SAME SIZE AND NUMBER AS THE REINFORCEMENT OF THE LENTIL OR SILL. THESE DOWELS SHALL EXTEND 50 TIMES BAR DIAMETER FROM THE FACE OF THE COLUMN AND SHALL BE EMBEDDED 50 TIMES BAR DIAMETER IN THE COLUMN.



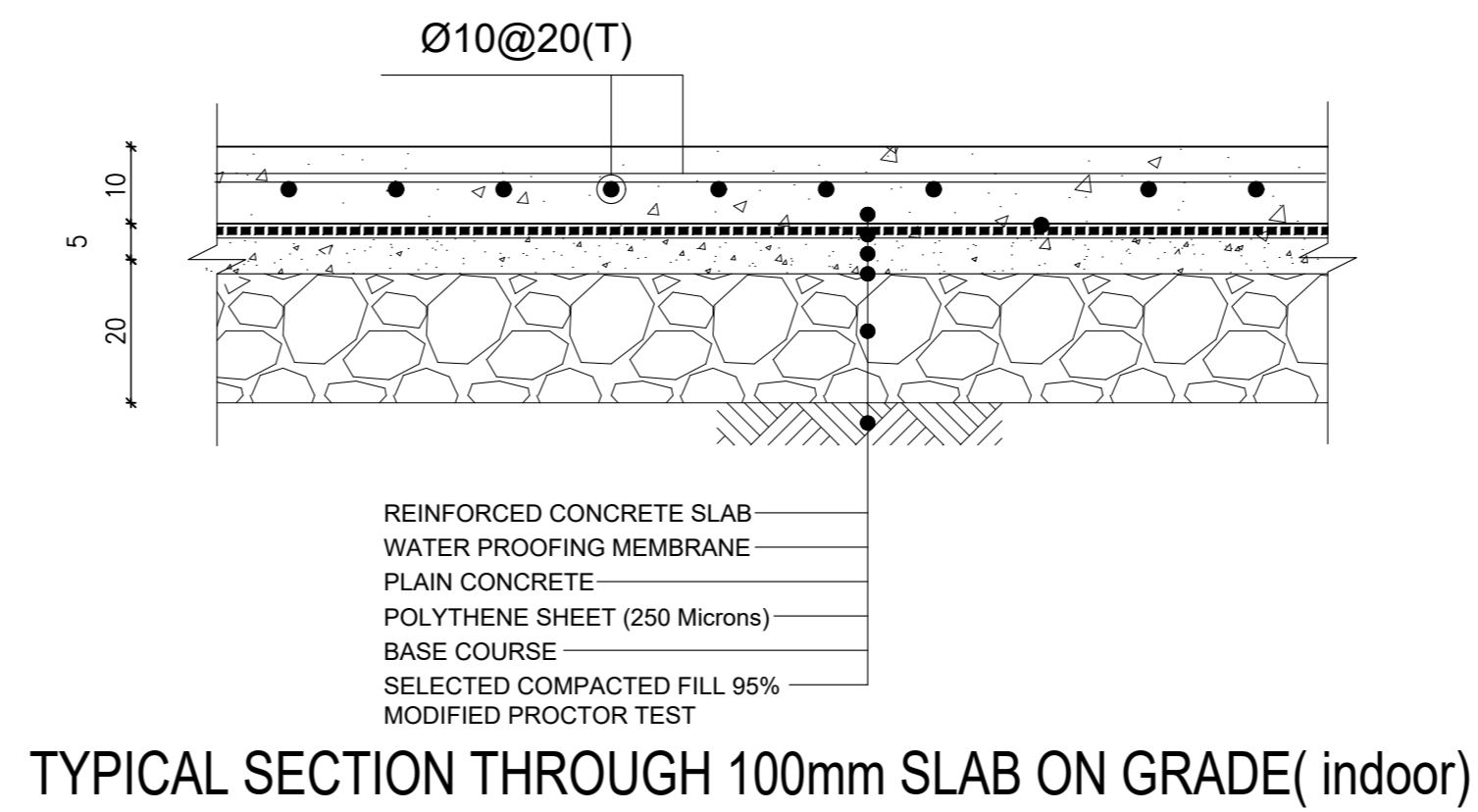
SCHEDULE OF LINTELS REINFORCEMENT									
CLEAR SPAN (cm)	b=10cm		b=15cm		b=20cm or 25cm		b=40cm		DEPTH = d (cm)
	TOP REINF.	BOTTOM REINF.	TOP REINF.	BOTTOM REINF.	TOP REINF.	BOTTOM REINF.	TOP REINF.	BOTTOM REINF.	
< 200	1Ø10	1Ø14	2Ø10	2Ø12	2Ø10	2Ø12	4Ø10	4Ø12	20
200-300	1Ø10	1Ø16	2Ø10	2Ø14	2Ø10	2Ø16	4Ø10	4Ø16	25
301-400	1Ø10	1Ø20	2Ø10	2Ø16	2Ø10	2Ø18	4Ø12	4Ø18	30
401-500	1Ø10	1Ø20	2Ø10	2Ø16	2Ø10	2Ø18	4Ø12	4Ø20	40
501-600	1Ø10	1Ø20	2Ø10	2Ø16	2Ø10	2Ø18	4Ø12	4Ø20	50
601-700	1Ø12	1Ø25	2Ø12	4Ø20 in 2 layers	2Ø12	2Ø25	4Ø12	4Ø25	60

OR: PROVIDE CATNIC TYPE STEEL LINTELS OF DEPTH AND THICKNESS APPROPRIATE TO SPAN AND LOAD CARRIED.

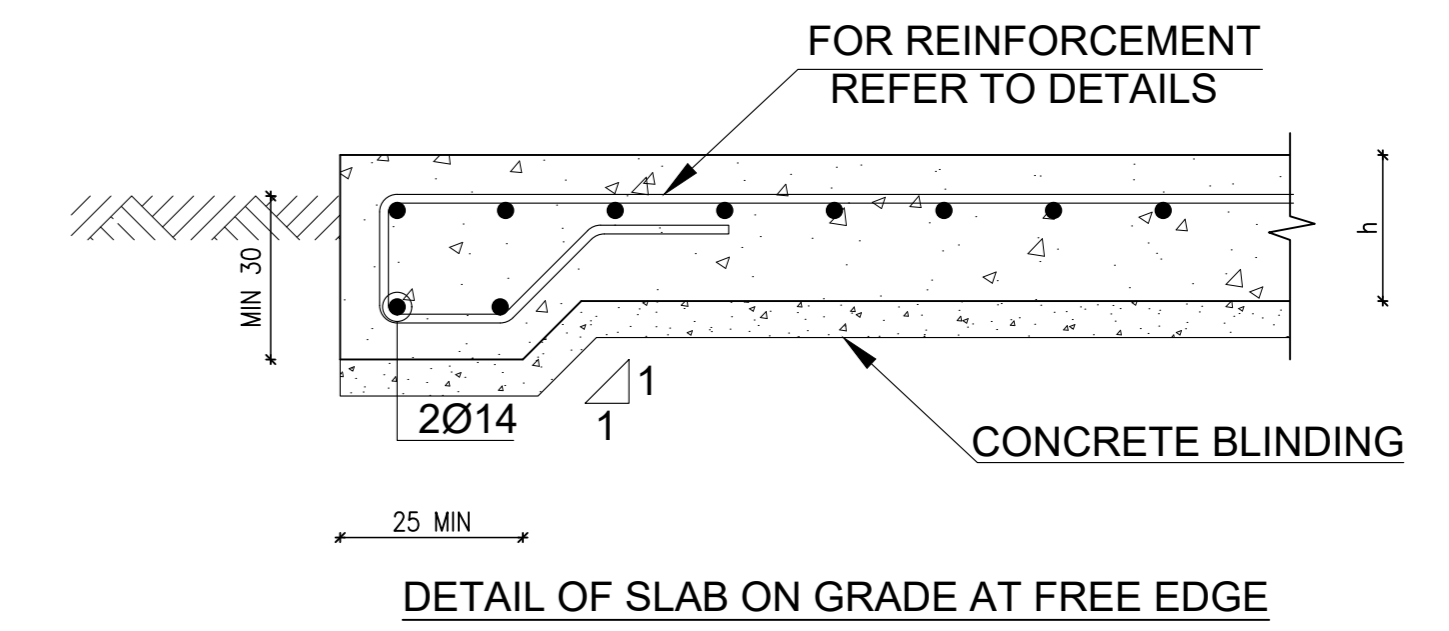
TYPICAL LINTEL DETAILS



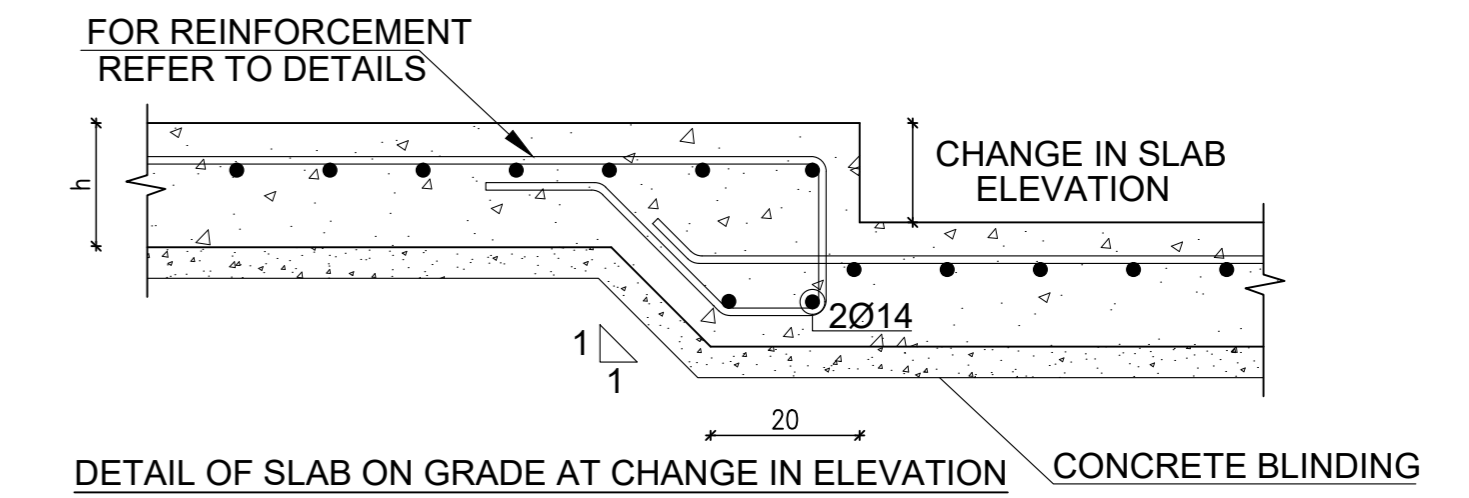
TYPICAL STAIR CASE REINFORCEMENT DET.



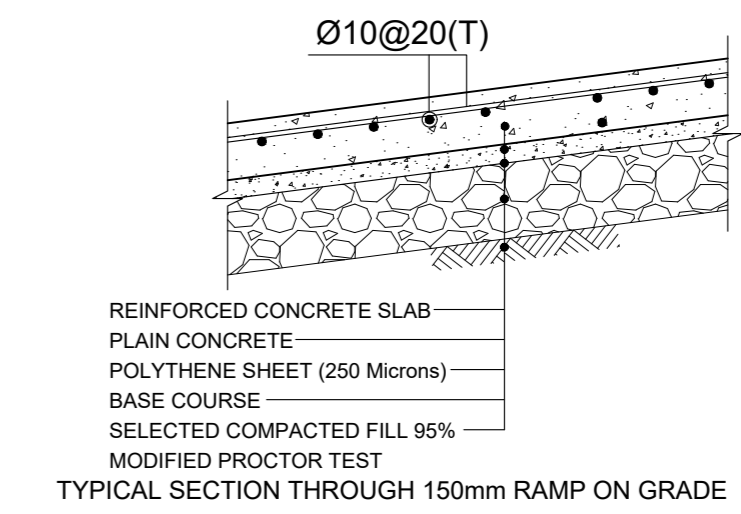
TYPICAL SECTION THROUGH 100mm SLAB ON GRADE(indoor)



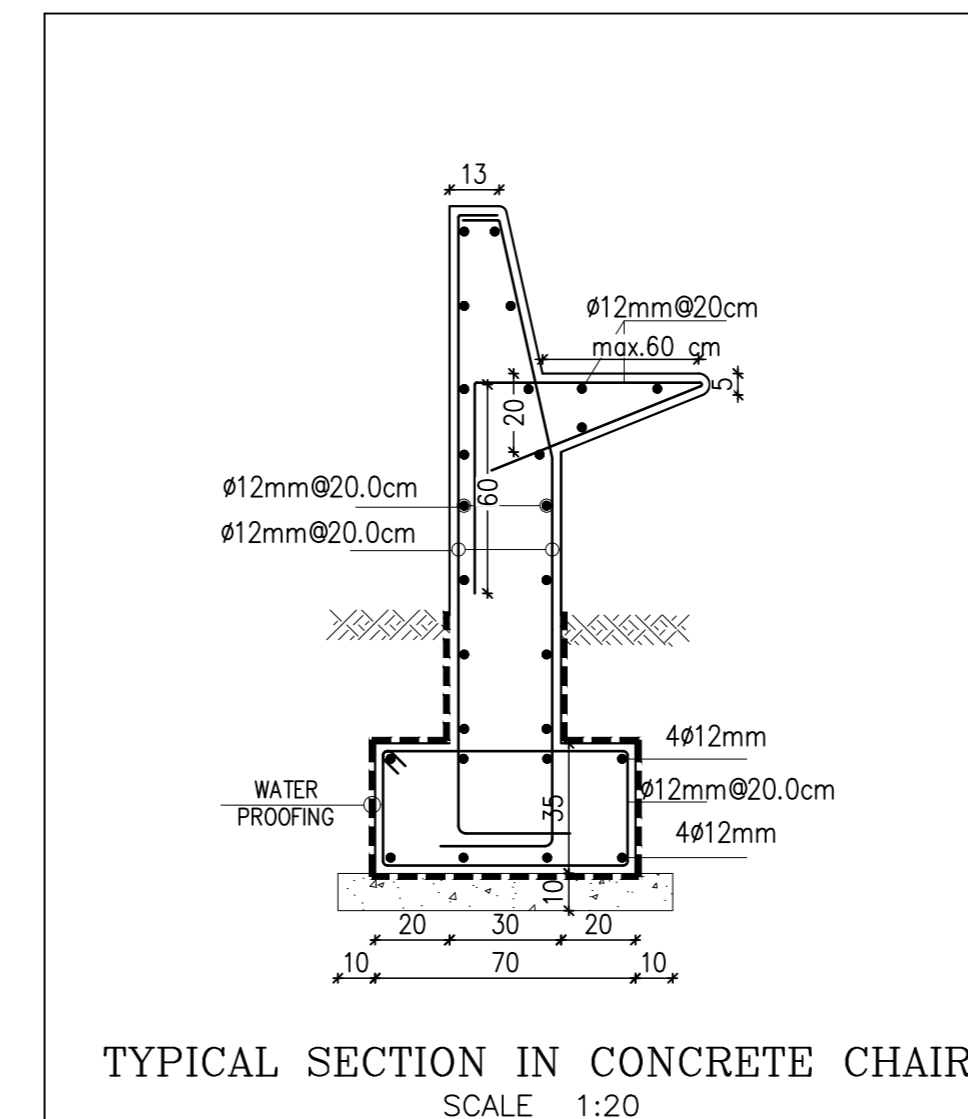
DETAIL OF SLAB ON GRADE AT FREE EDGE



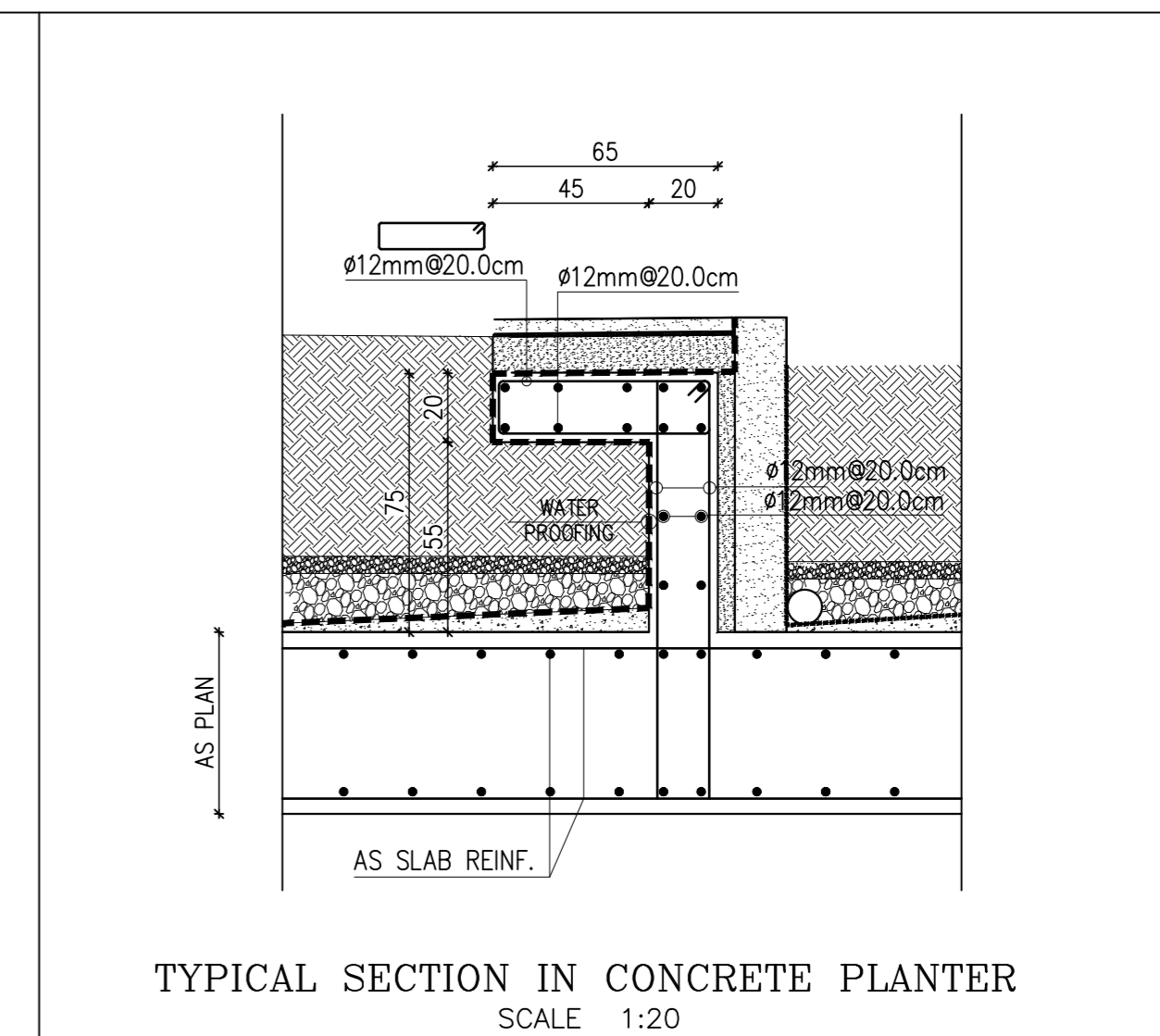
DETAIL OF SLAB ON GRADE AT CHANGE IN ELEVATION



TYPICAL SECTION THROUGH 150mm RAMP ON GRADE

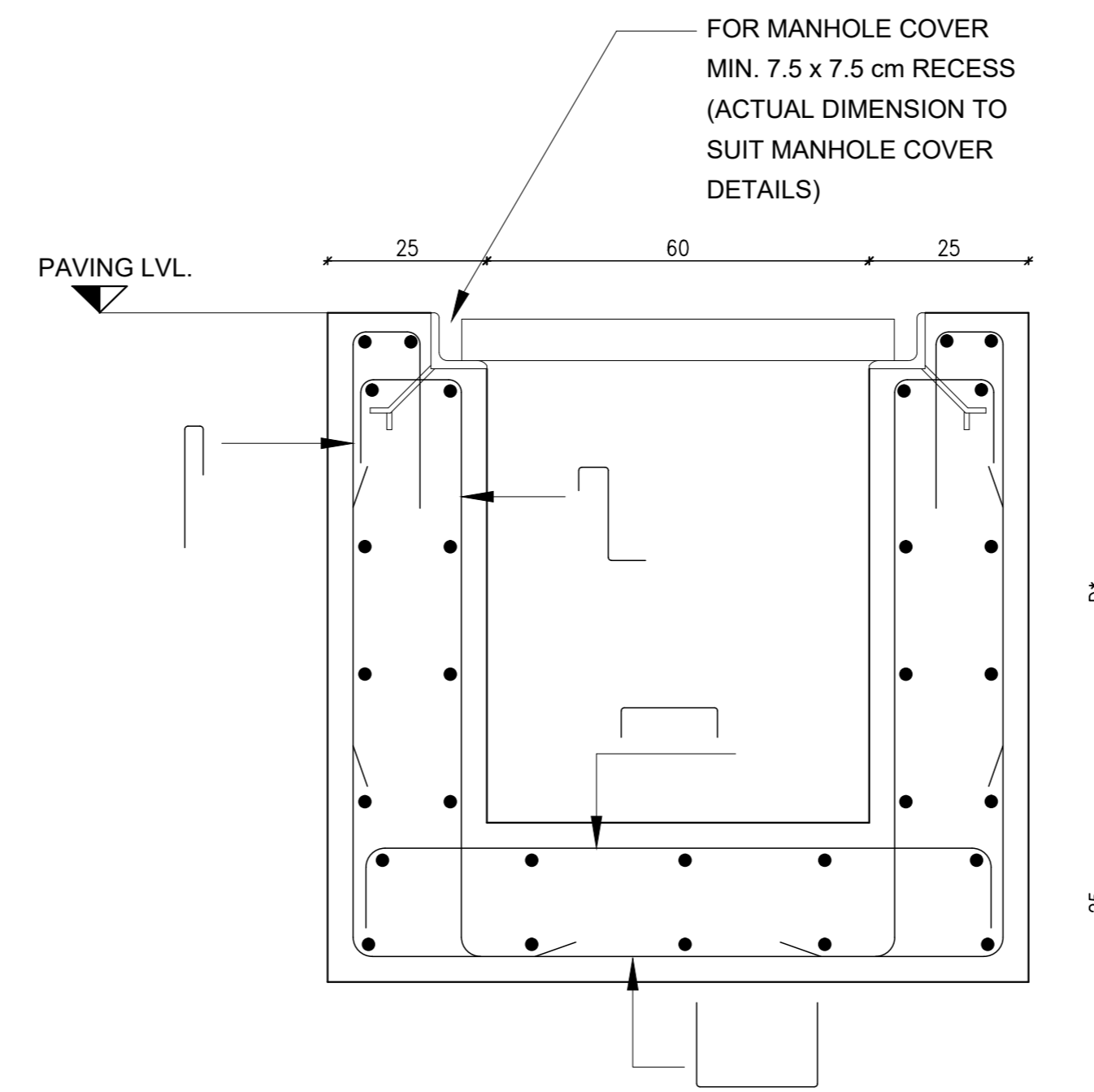
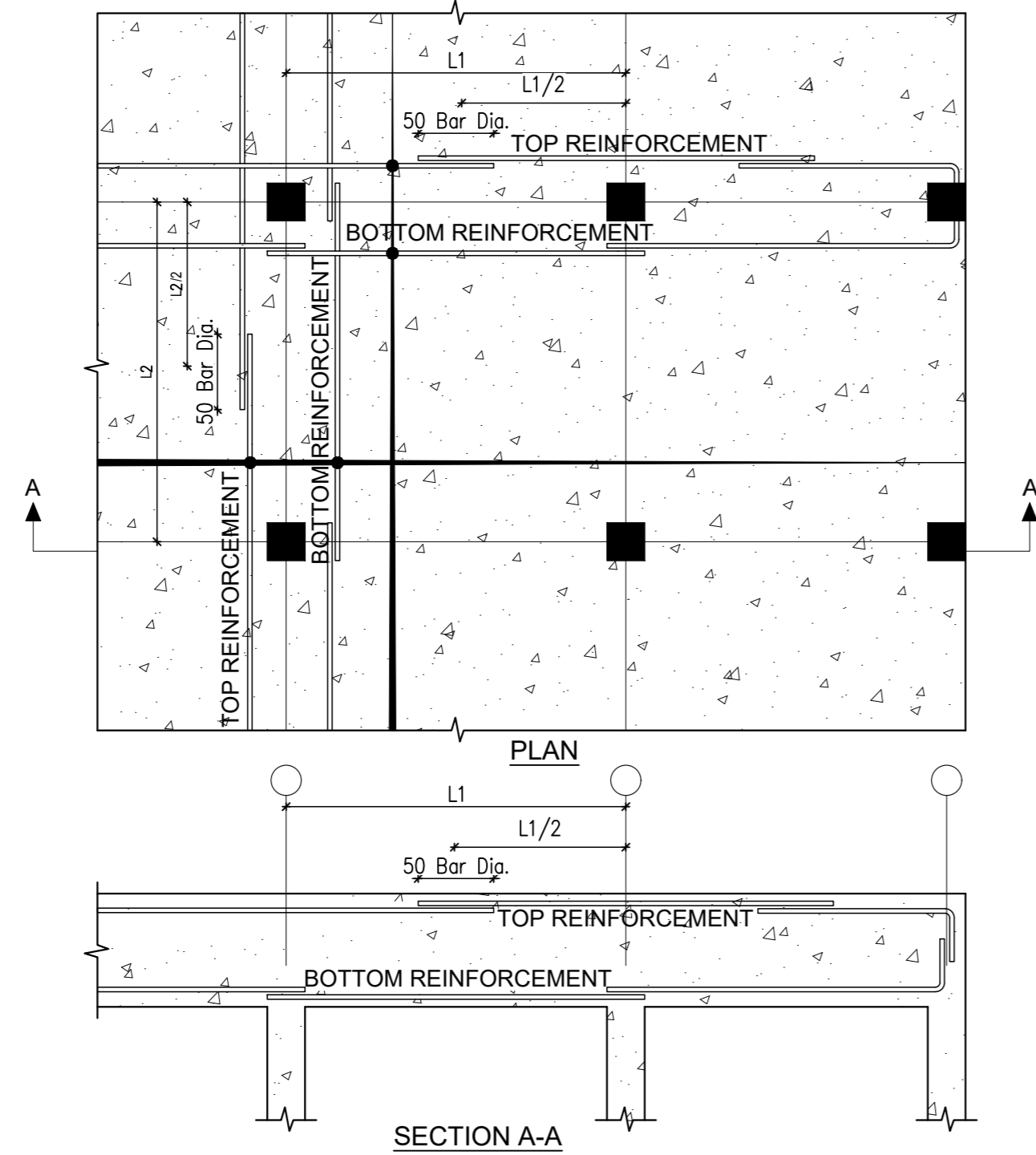


TYPICAL SECTION IN CONCRETE CHAIR SCALE 1:20



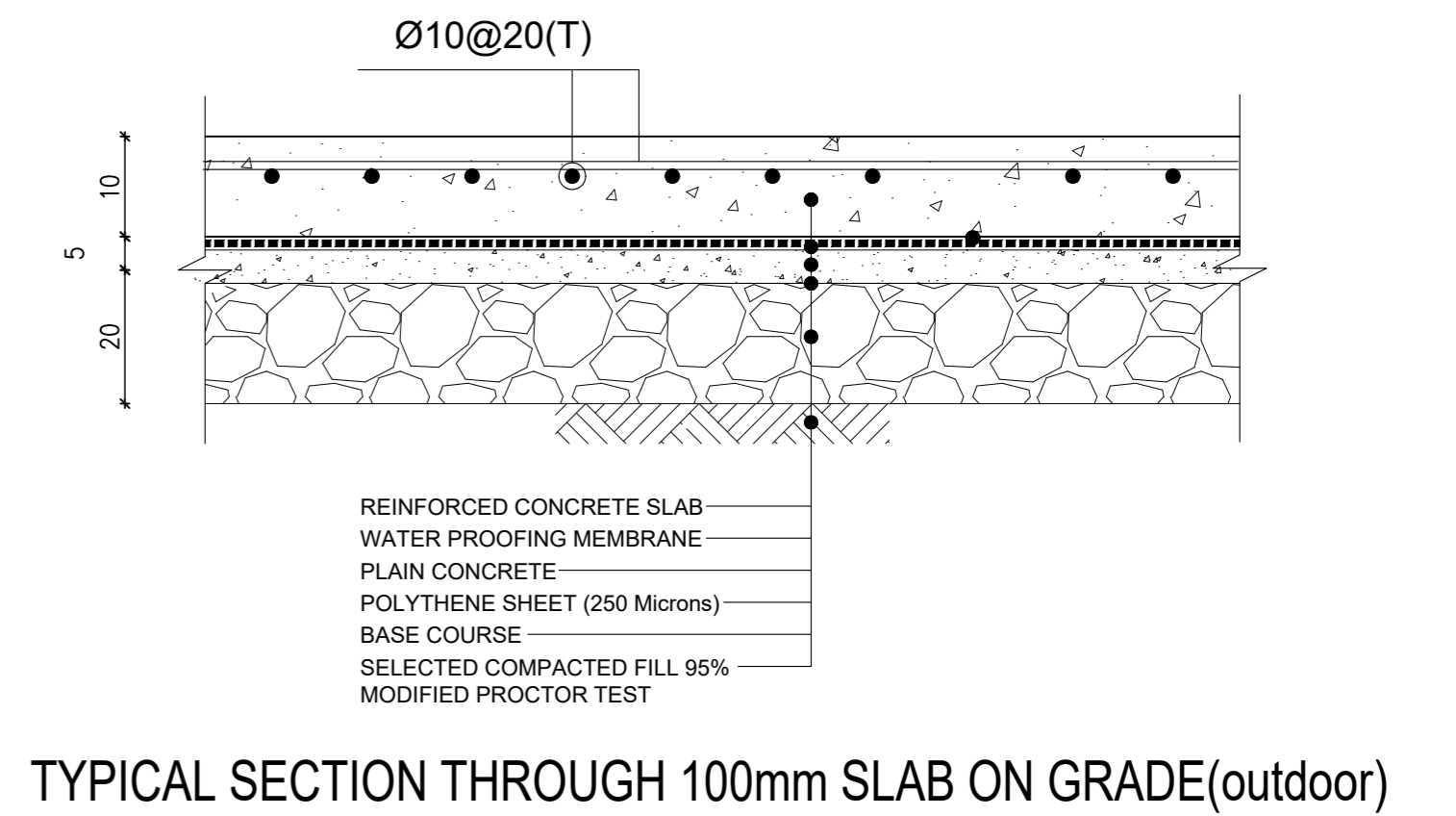
TYPICAL SECTION IN CONCRETE PLANTER SCALE 1:20

TYPICAL FLAT SLAB REINFORCEMENT DETAIL

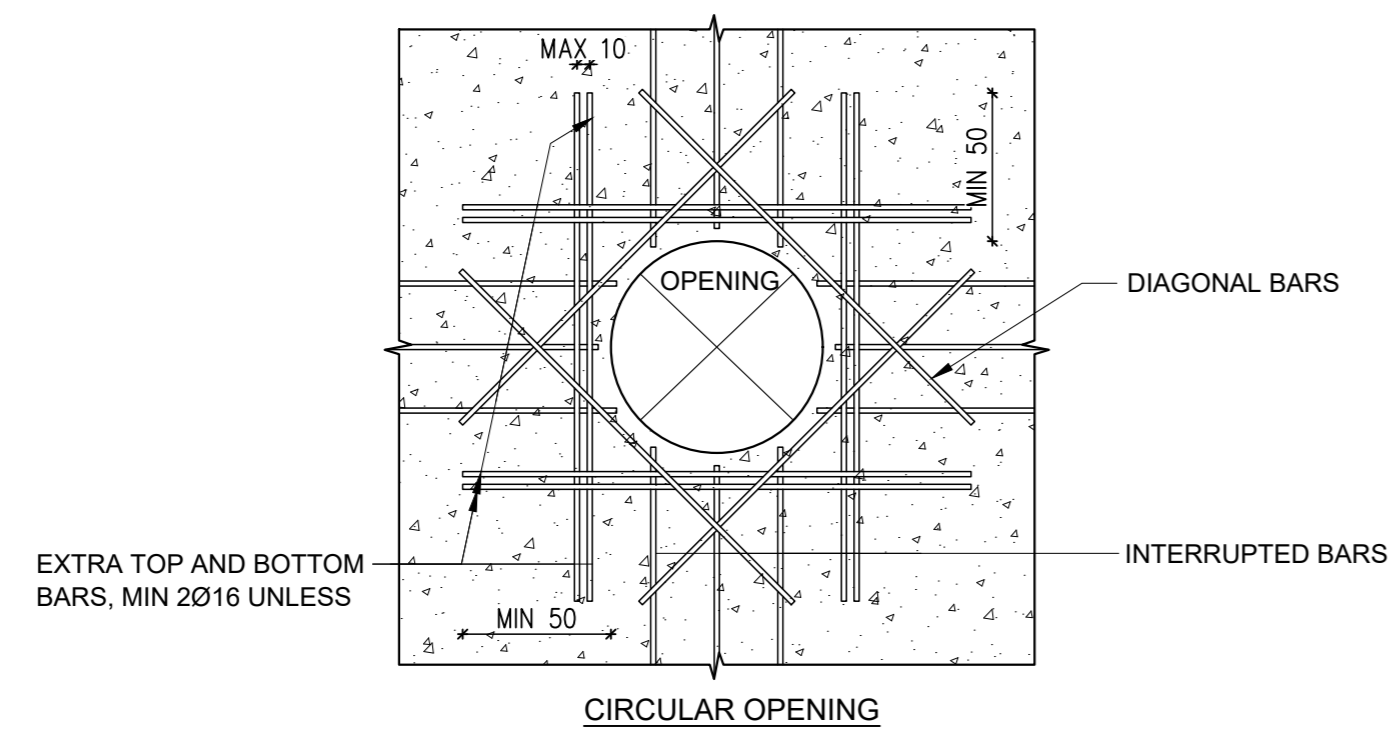


ALL REINFORCEMENTS ARE Ø10-20cm
(FOR MAX. DEPTH 100)
* DEPTH AS PER DRAINAGE LAYOUT DWG.

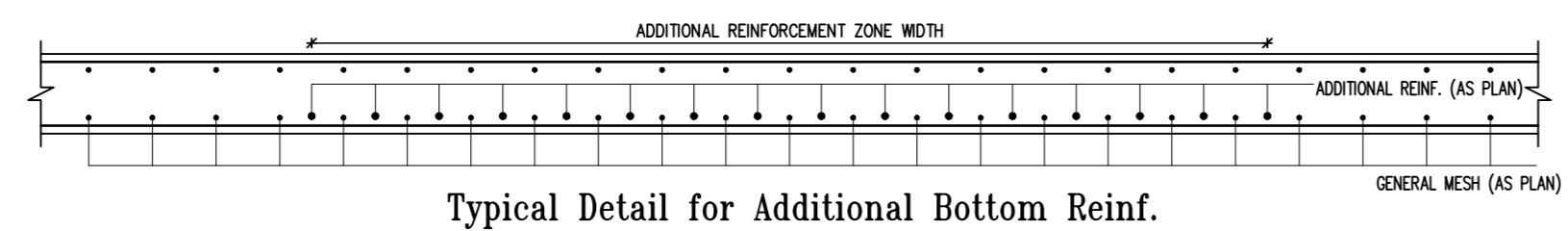
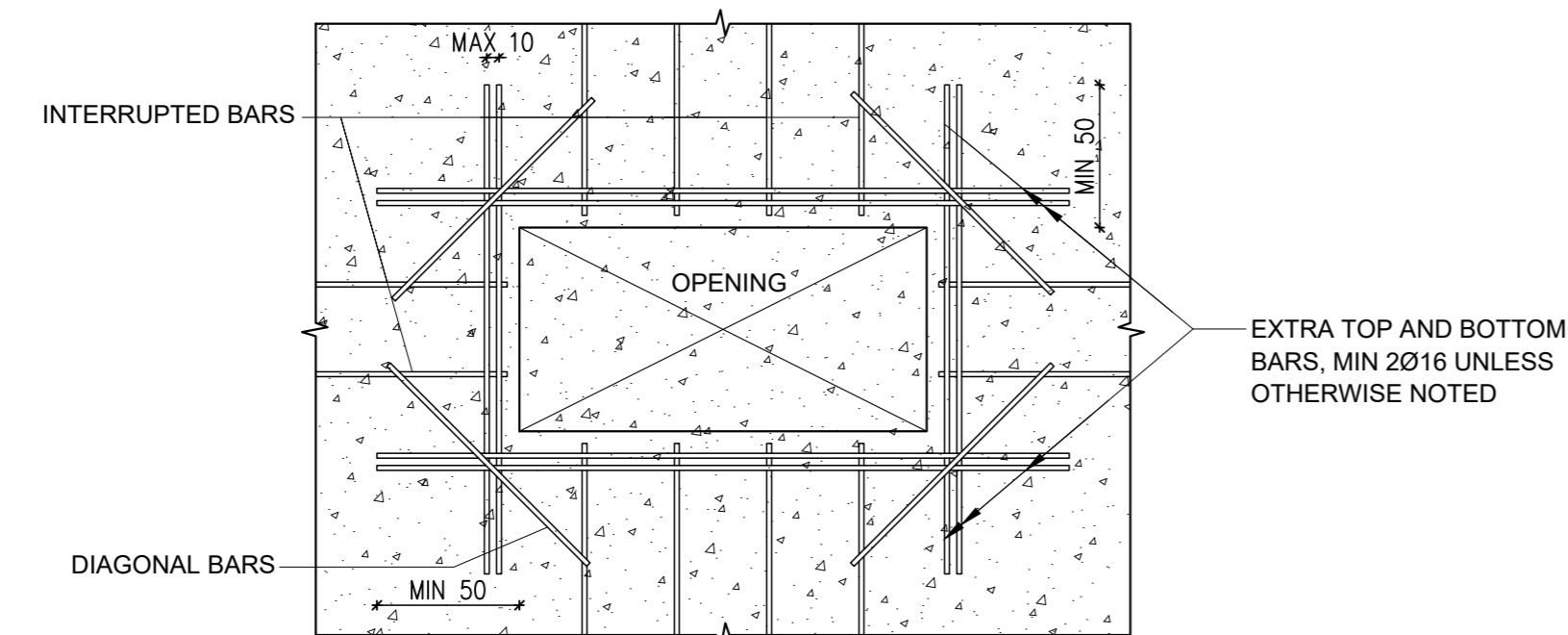
TYPICAL MANHOLE DETAIL



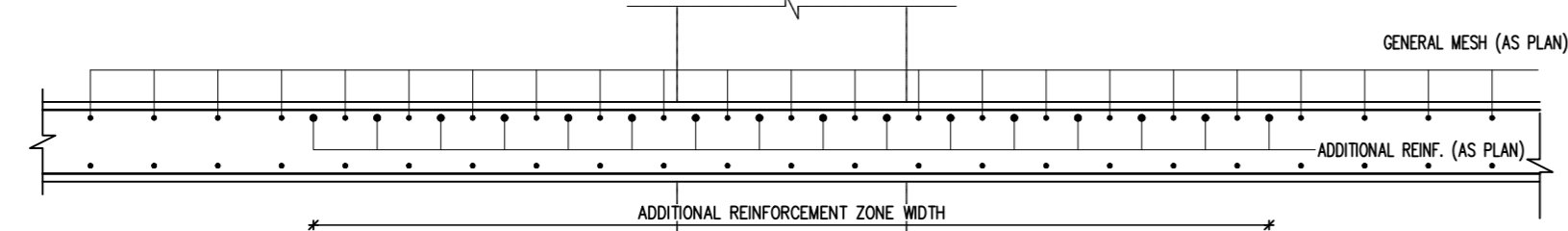
TYPICAL SECTION THROUGH 100mm SLAB ON GRADE(outdoor)



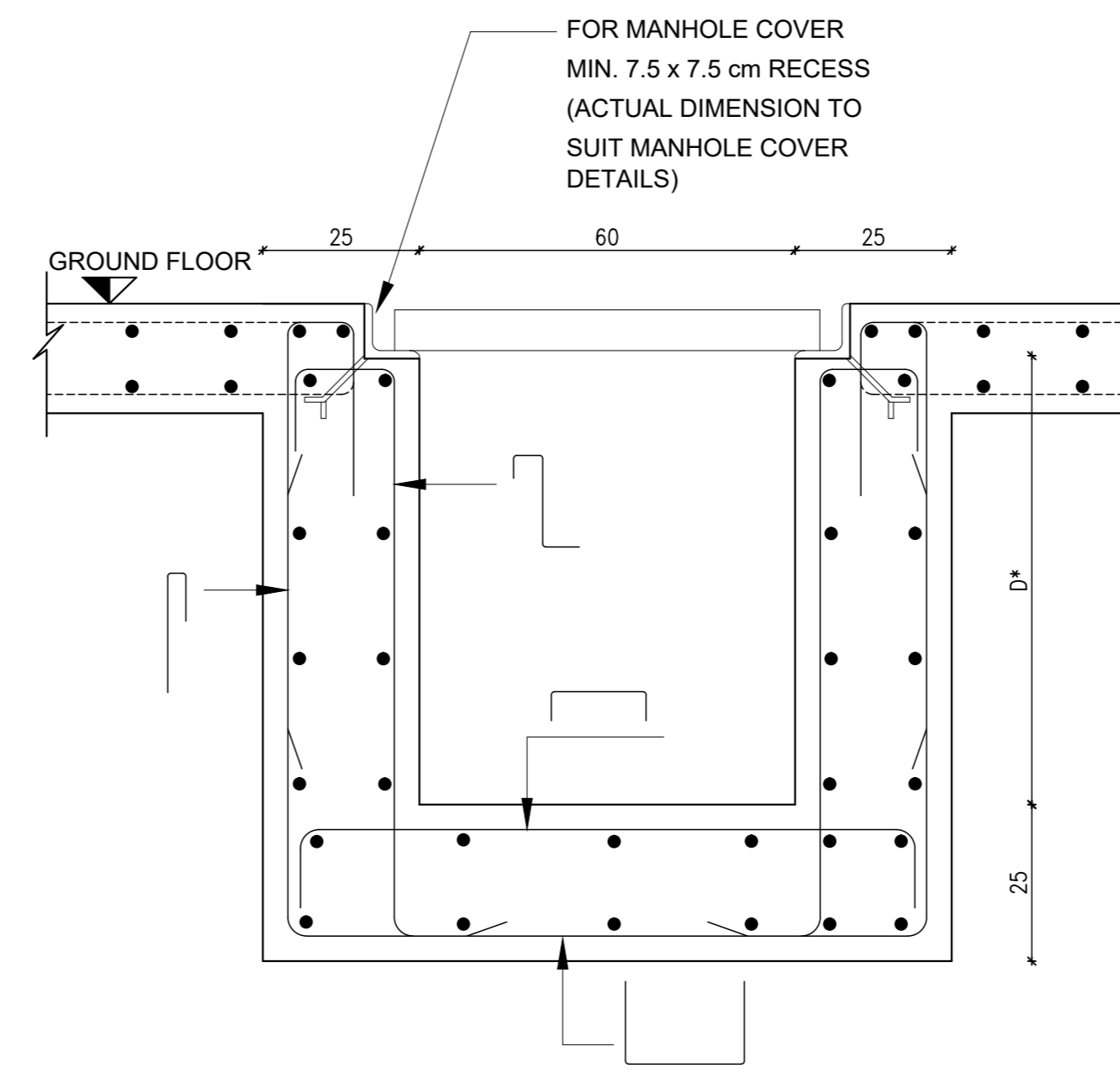
CIRCULAR OPENING
OPENINGS IN CONCRETE SLABS
SCALE: 1/20



Typical Detail for Additional Bottom Reinf.

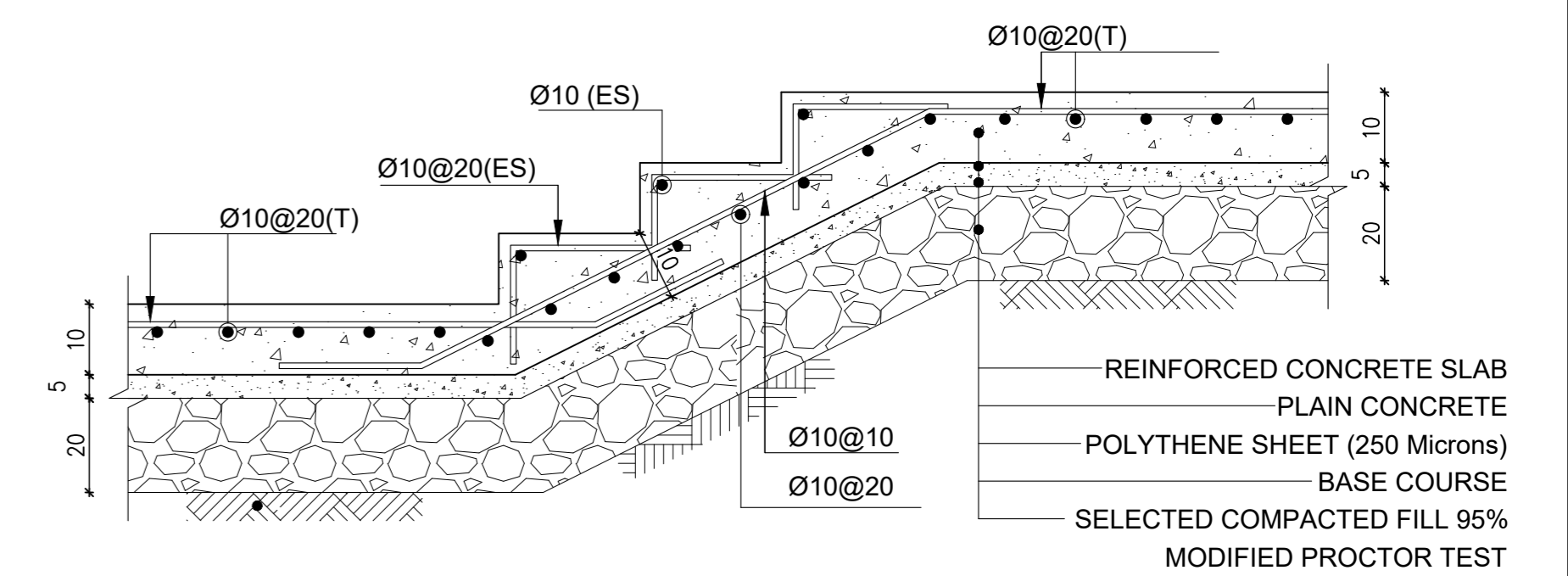


Typical Detail for Additional Top Reinf.



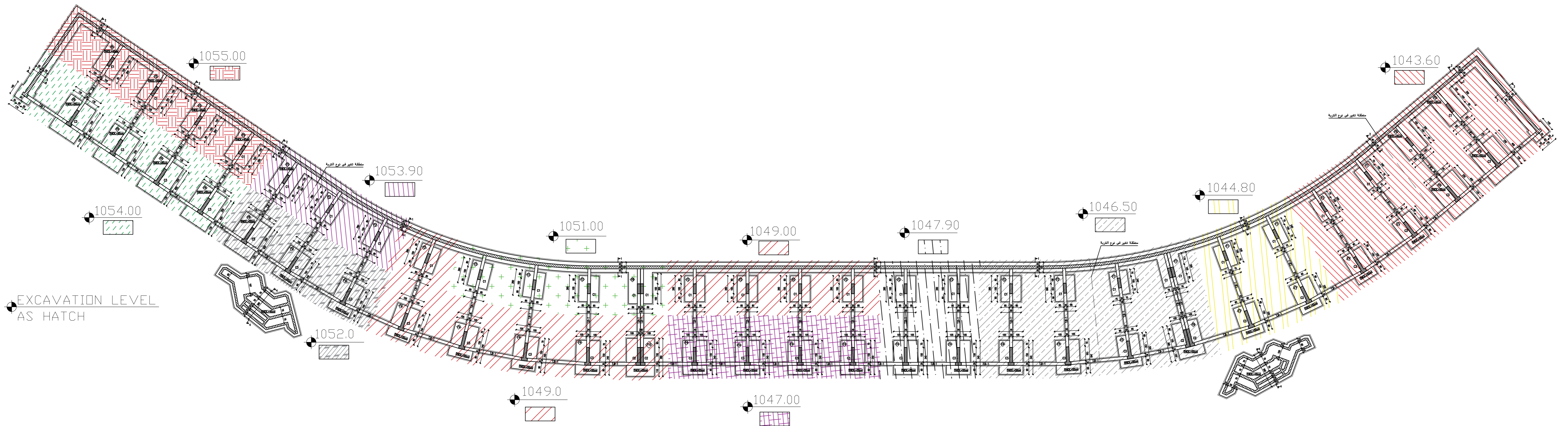
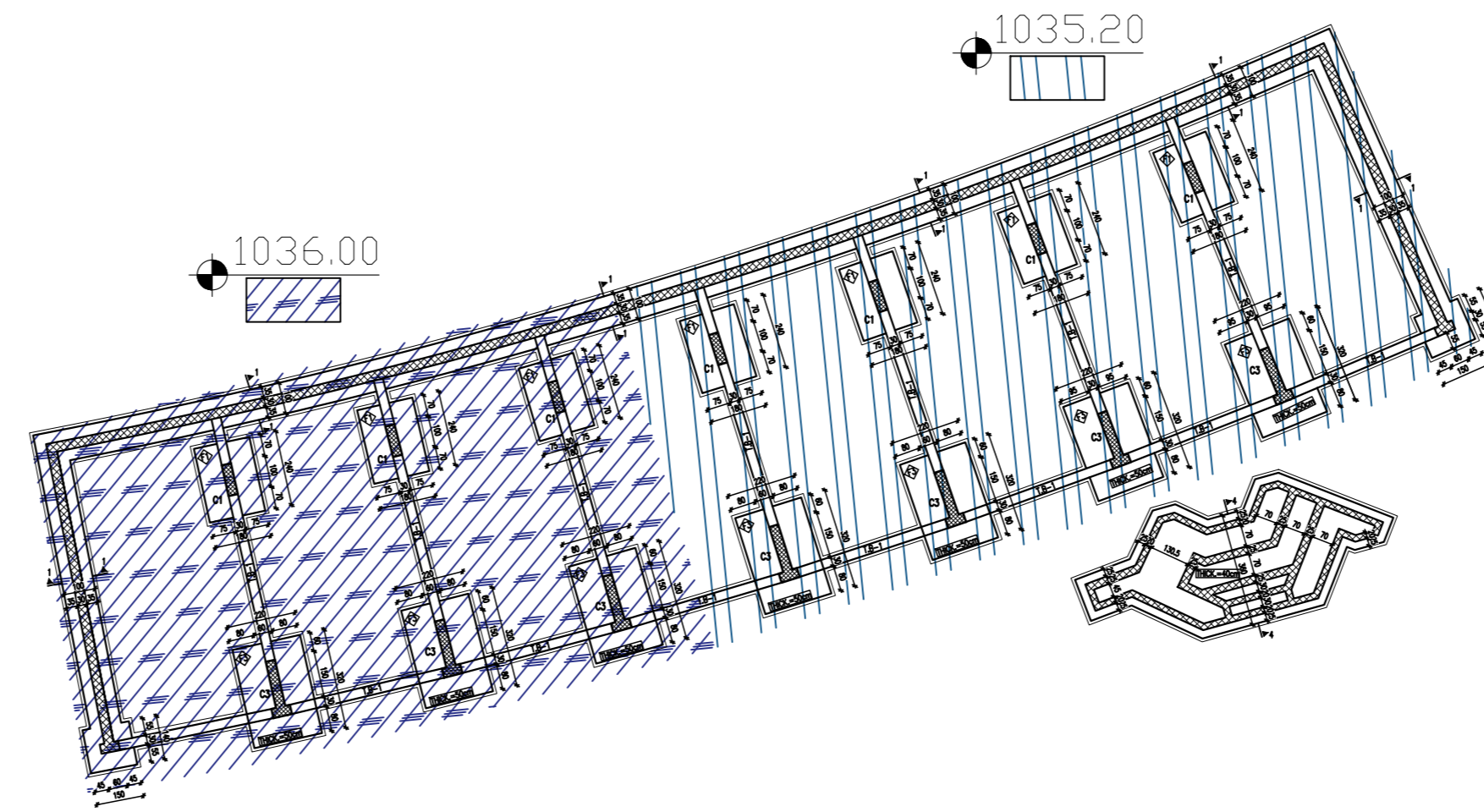
ALL REINFORCEMENTS ARE Ø10-20cm
(FOR MAX. DEPTH 100)
* DEPTH AS PER DRAINAGE LAYOUT DWG.

TYPICAL MANHOLE DETAIL



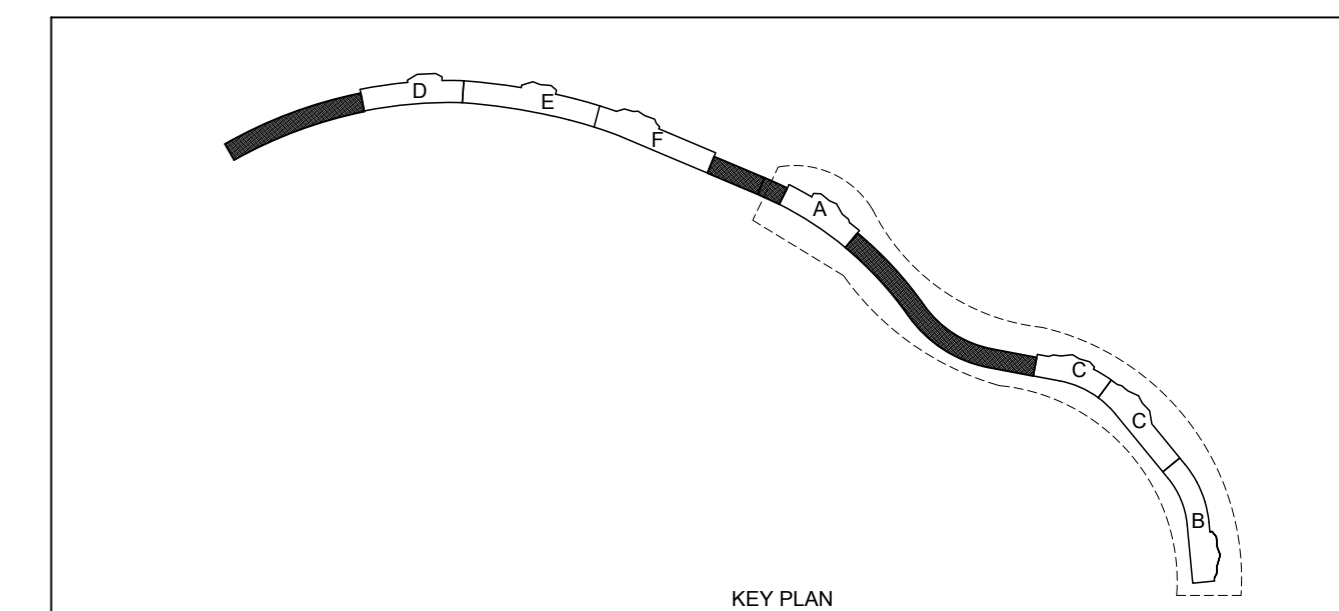
TYPICAL SECTION THROUGH STAIR ON GRADE

EXCAVATION LEVELS	
	+1055.00
	+1054.00
	+1053.90
	+1052.00
	+1051.00
	+1049.00
	+1047.00
	+1047.90
	+1046.50
	+1044.80
	+1043.60
	+1036.00
	+1035.20



EXCAVATION LEVEL AS HATCH

FOOTING PLAN
SCALE 1:200



KHAMMASH ARCHITECTS

CLIENT
00000000000

PROJECT
ADDRESS
0000000, JORDAN

STATUS
TENDER
Copyright 2019 - Khammash Architects.

NOTES

ISSUE | DATE | AMENDMENT

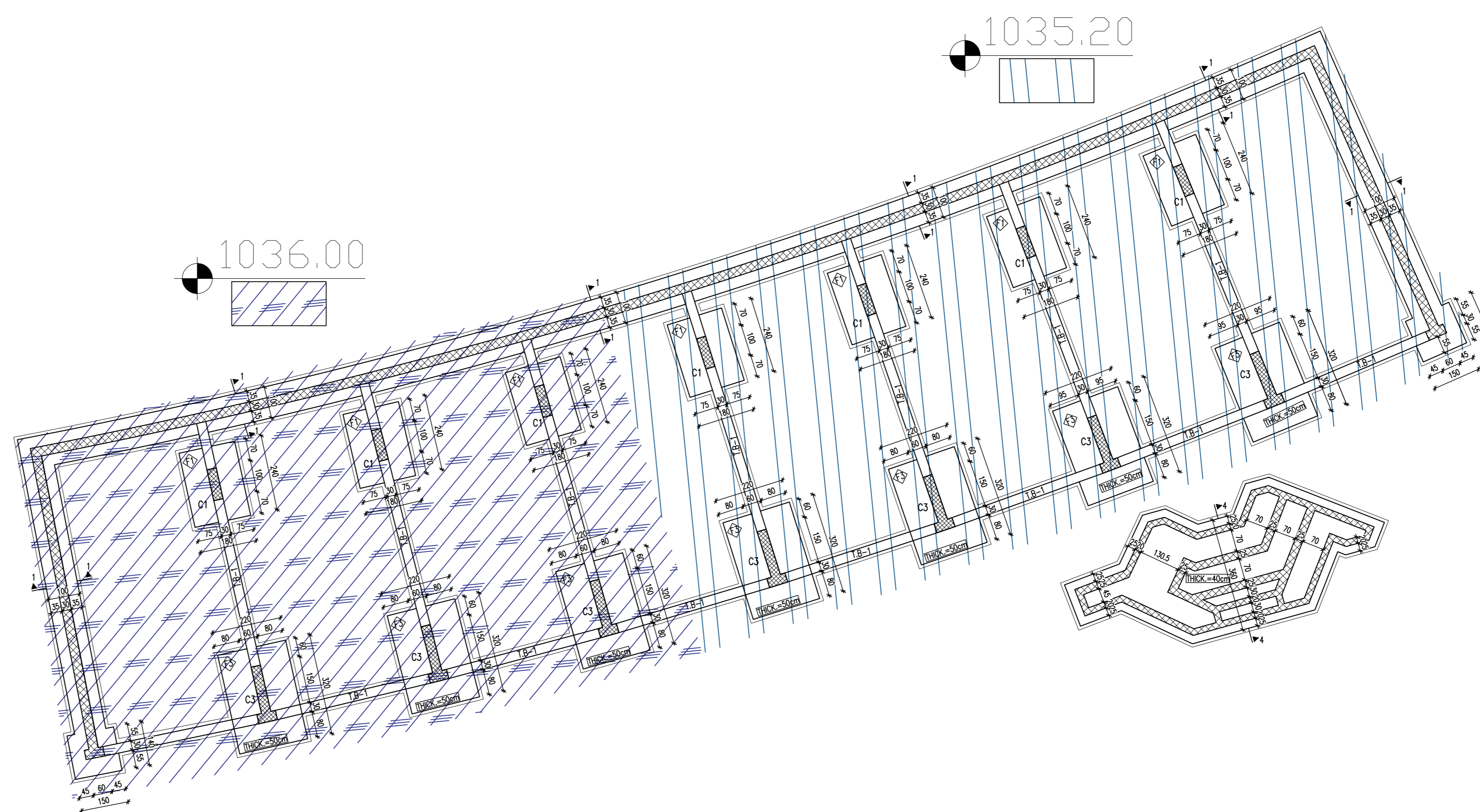
CHECKED | APPROVED | ISSUE | DATE | AMENDMENT

DRAWN | NORTH | SCALE | DRAWING TITLE
- | [Symbol] | 1:200 | COLUMN LAYOUT & FOOTING PLAN
CHECKED | APPROVED | SHEET NUMBER | ISSUE | DATE
- | AK | S05 | NOVEMBER 2019

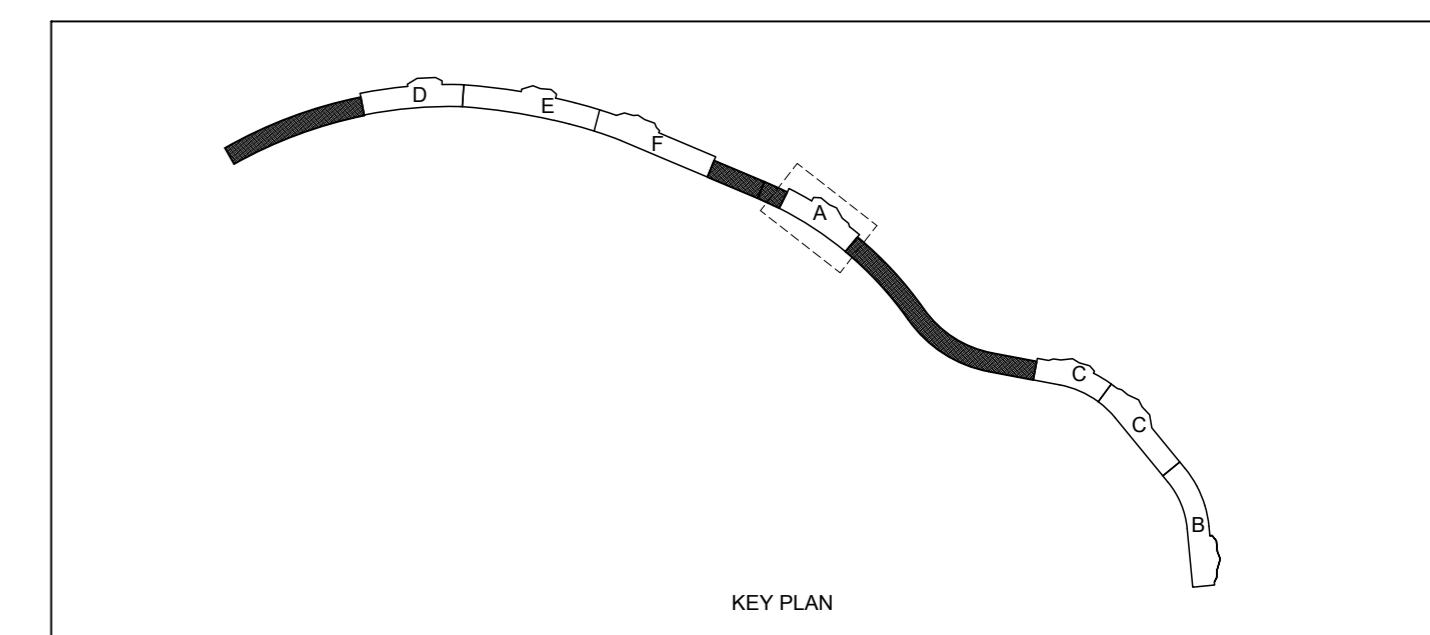
P.O. Box 51474, Amman - 11192, Jordan. Tel: +962 6 5655134. Fax: +962 6 5622386. Email: info@khammash.com

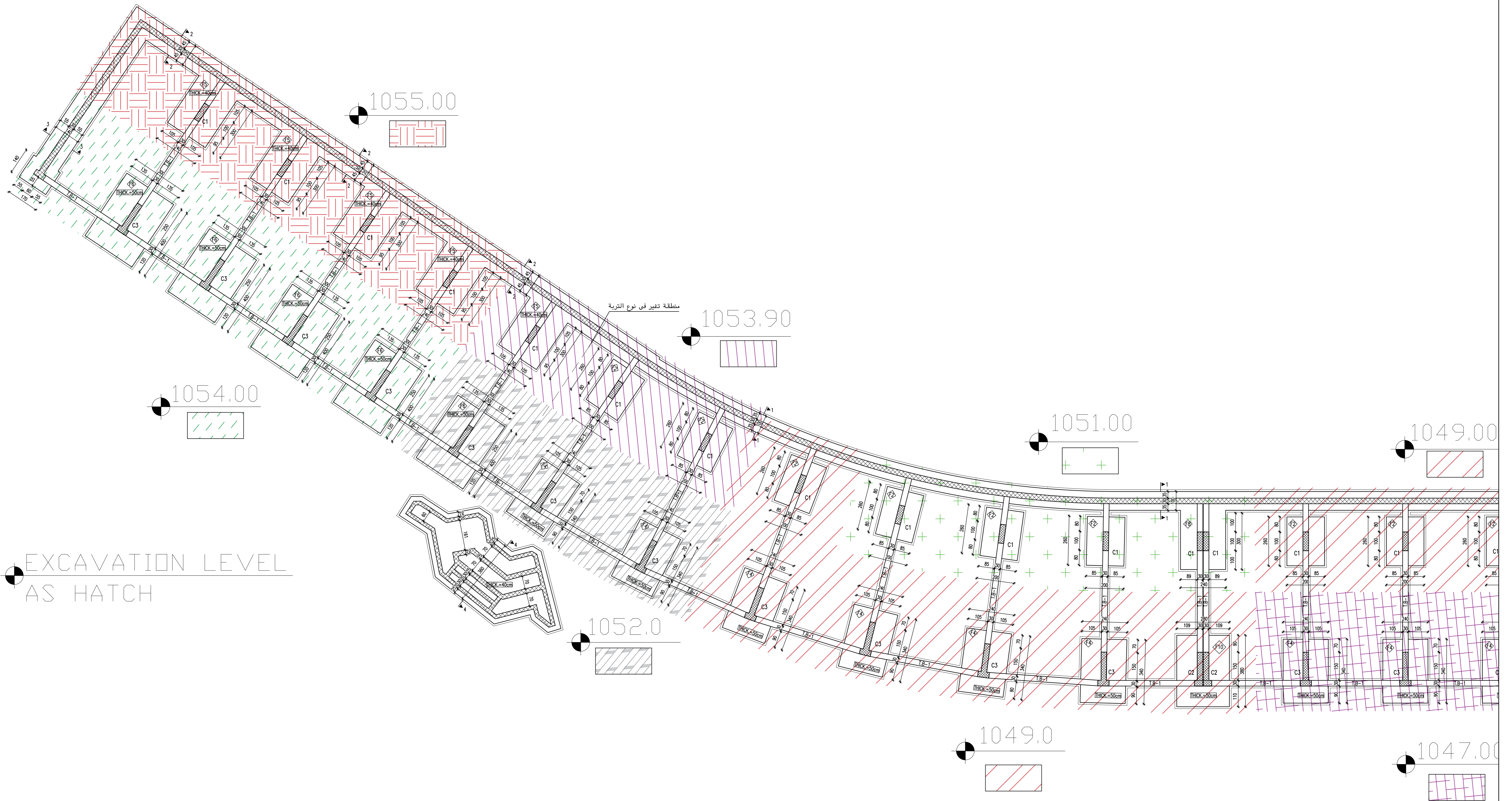
P.O. Box 7893, Amman 11115, Jordan | T: +962 6 5059551 | F: +962 6 4650291 | W: www.khammash.com

THIS DRAWING IS AND AT ALL TIMES REMAINS THE EXCLUSIVE PROPERTY OF KHAMMASH ARCHITECTS. ALL MEASUREMENTS MUST BE CHECKED BY THE CONTRACTOR ON SITE BEFORE THE COMMENCEMENT OF ANY WORKS.



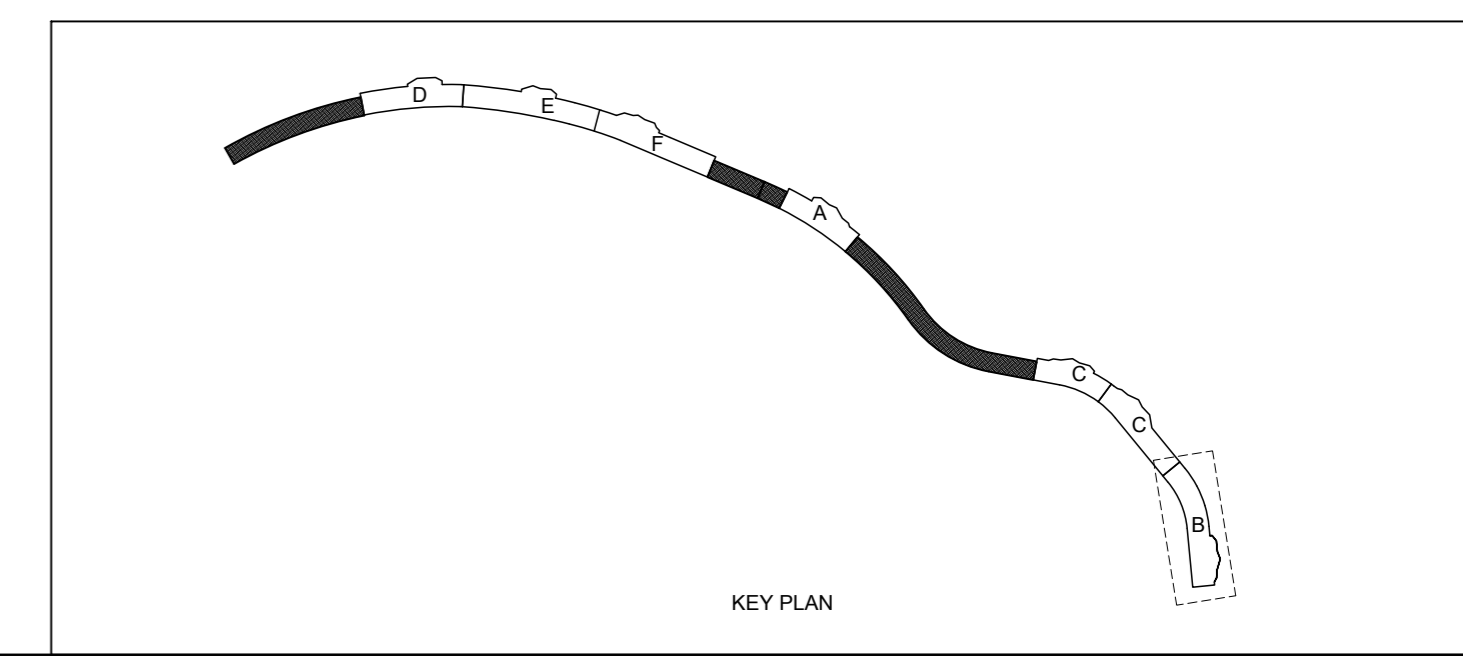
FOOTING PLAN
SCALE 1:100

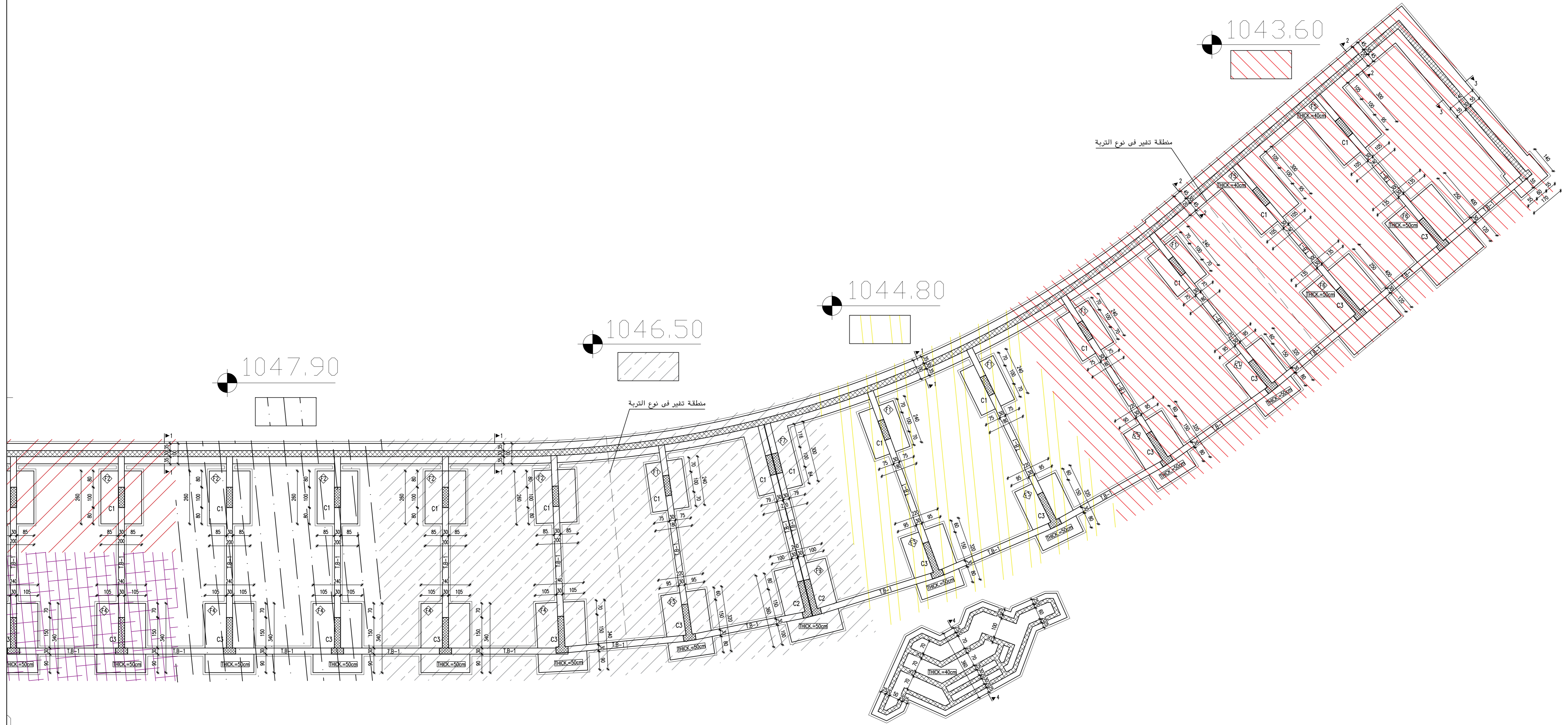




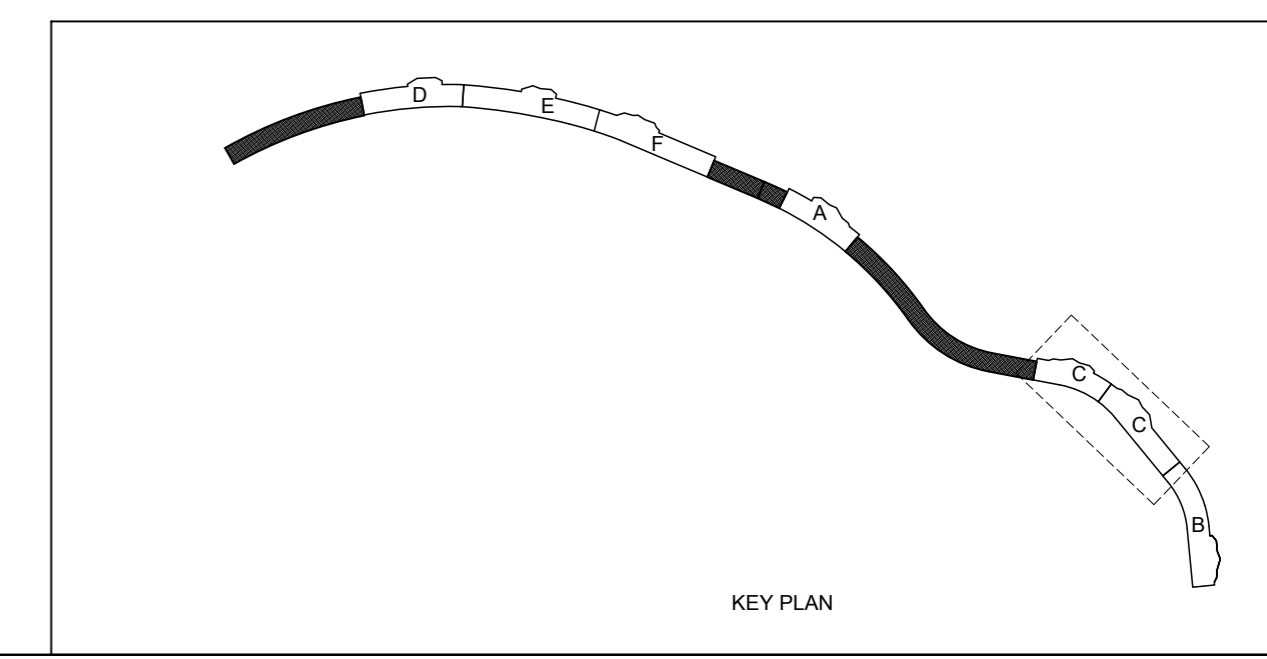
EXCAVATION LEVEL
AS HATCH

FOOTING PLAN
SCALE 1:100





FOOTING PLAN
SCALE 1:100



KHAMMASH ARCHITECTS

P.O. Box 51474, Amman - 11192, Jordan. Tel: +962 6 5655134. Fax: +962 6 5222386
E-mail: info@khammash.com

CLIENT

0000000000

PROJECT

ADDRESS

0000000, JORDAN

STATUS

TENDER

Copyright 2019 - Khammash Architects.

THIS DRAWING IS AND AT ALL TIMES REMAINS THE EXCLUSIVE PROPERTY OF KHAMMASH ARCHITECTS. ALL MEASUREMENTS MUST BE CHECKED BY THE CONTRACTOR ON SITE BEFORE THE COMMENCEMENT OF ANY WORKS.

NOTES

ISSUE	DATE	AMENDMENT

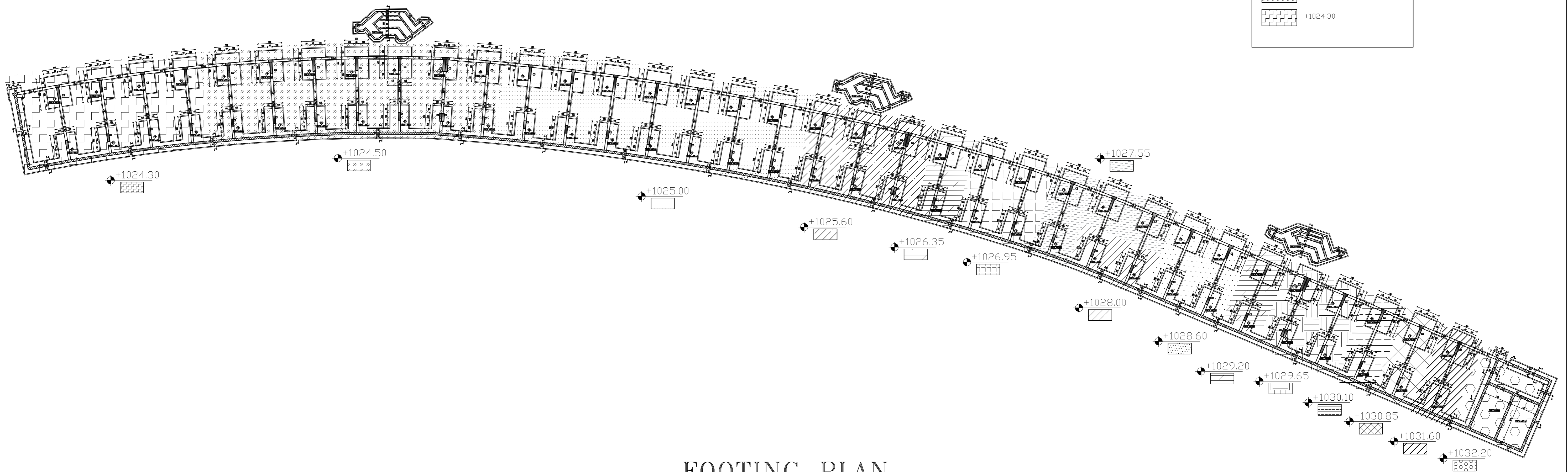
CHECKED	ISSUE	DATE	AMENDMENT

DRAWN	NORTH	SCALE
		1:100

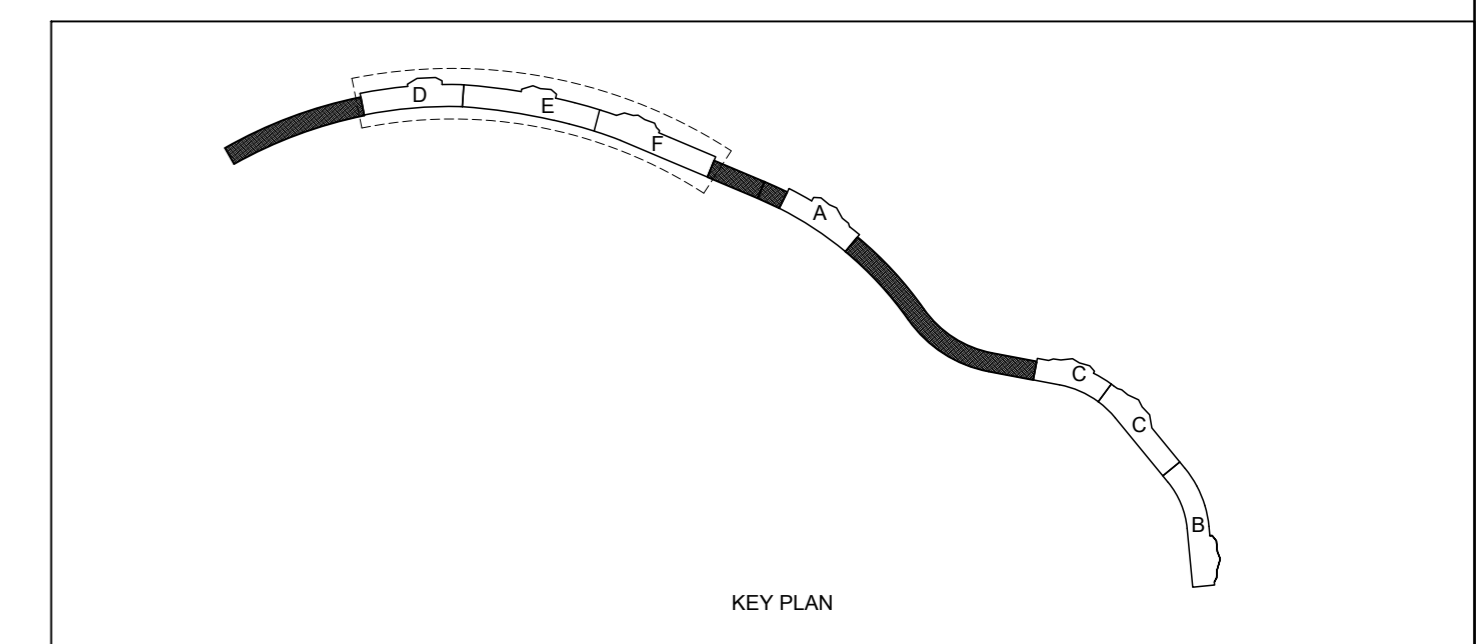
DRAWING TITLE	SHEET NUMBER	ISSUE	DATE
COLUMN LAYOUT & FOOTING PLAN	S05-C		

NOVEMBER 2019

EXCAVATION LEVELS	
	+1032.20
	+1031.60
	+1030.85
	+1030.10
	+1029.65
	+1029.20
	+1028.60
	+1028.00
	+1027.55
	+1026.95
	+1026.35
	+1025.60
	+1025.00
	+1024.50
	+1024.30



FOOTING PLAN
SCALE 1:250



KHAMMASH ARCHITECTS

P.O. Box 51474, Amman - 11192, Jordan, Tel: +962 6 565134, Fax: +962 6 522286
Email: info@khammash.com

CLIENT
0000000000

PROJECT
ADDRESS
0000000, JORDAN

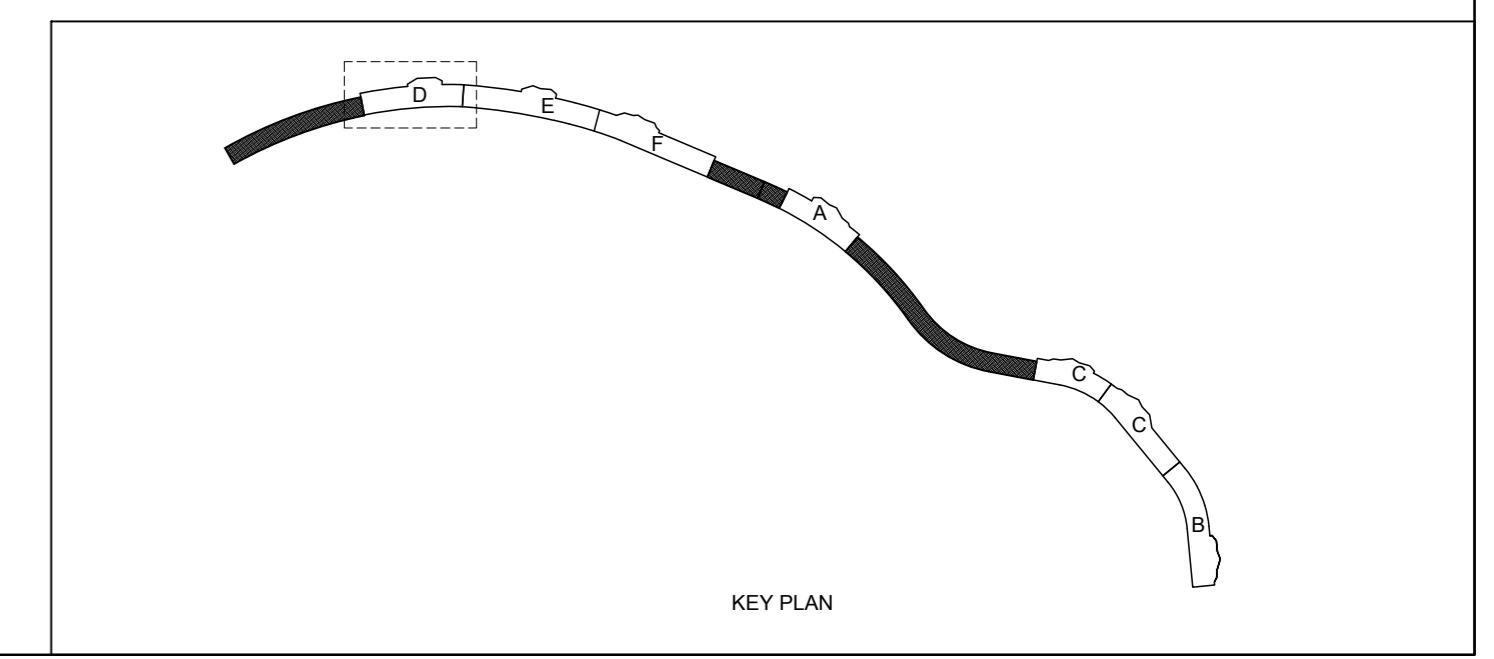
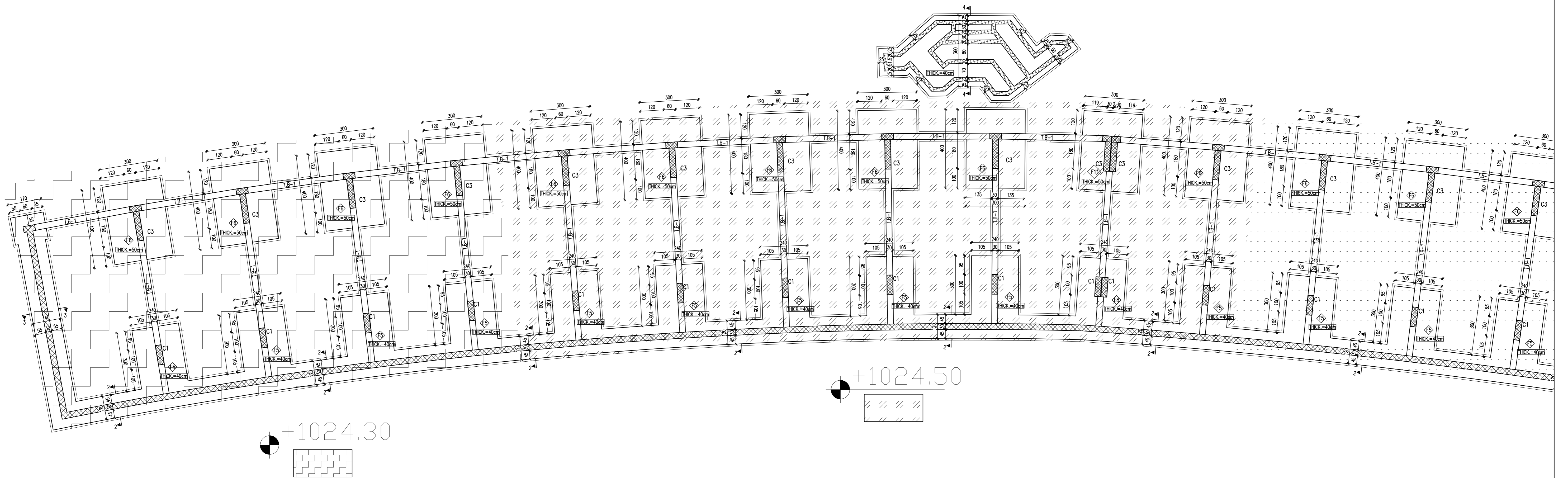
STATUS
TENDER
Copyright 2019 - Khammash Architects

NOTES
THIS DRAWING IS AND AT ALL TIMES REMAINS THE EXCLUSIVE PROPERTY OF KHAMMASH ARCHITECTS. ALL MEASUREMENTS MUST BE CHECKED BY THE CONTRACTOR ON SITE BEFORE THE COMMENCEMENT OF ANY WORKS.

ISSUE	DATE	AMENDMENT

DRAWN	NORTH	SCALE
		1:250
CHECKED	APPROVED	
	AK	

DRAWING TITLE
COLUMN LAYOUT & FOOTING PLAN
SHEET NUMBER
S06
ISSUE | DATE
NOVEMBER 2019





KHAMMASH ARCHITECTS

P.O. Box 51474, Amman - 11192, Jordan. Tel: +962 6 5655134. Fax: +962 6 5222386
E-mail: info@khammash.com

CLIENT

00000000000

PROJECT

ADDRESS

0000000, JORDAN

STATUS

TENDER

Copyright 2019 - Khammash Architects.

THIS DRAWING IS AND AT ALL TIMES REMAINS THE EXCLUSIVE PROPERTY OF KHAMMASH ARCHITECTS. ALL MEASUREMENTS MUST BE CHECKED BY THE CONTRACTOR ON SITE BEFORE THE COMMENCEMENT OF ANY WORKS.

NOTES

ISSUE [DATE] [AMENDMENT]

[CHECKED] ISSUE [DATE] [AMENDMENT]

DRAWN

NORTH

[X]

APPROVED

AK

SCALE

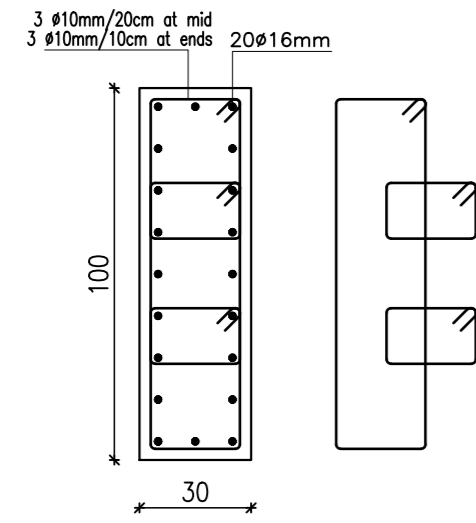
1:100

DRAWING TITLE

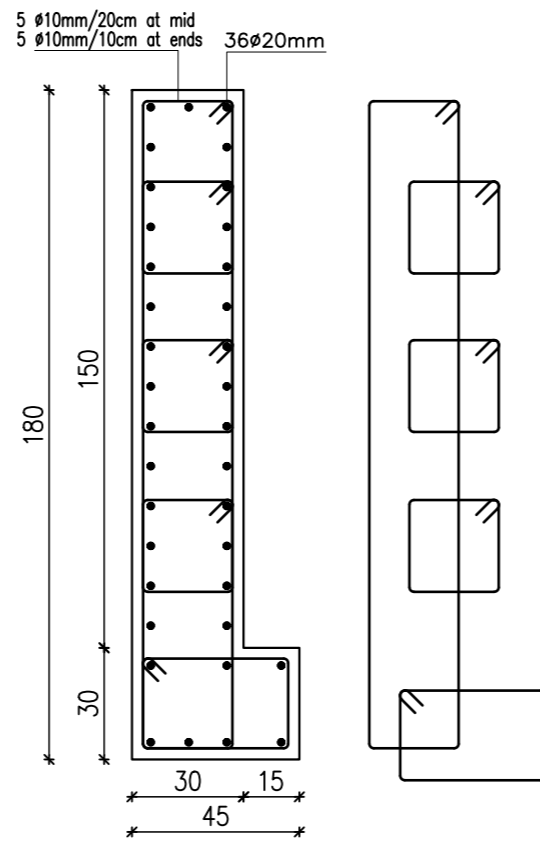
COLUMN LAYOUT & FOOTING PLAN

SHEET NUMBER [ISSUE] [DATE]

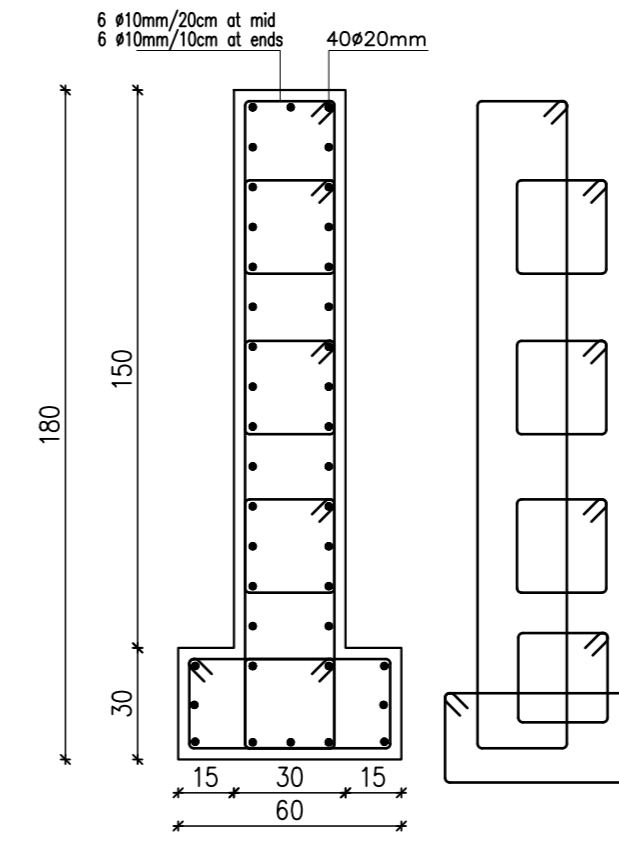
S06-E NOVEMBER 2019



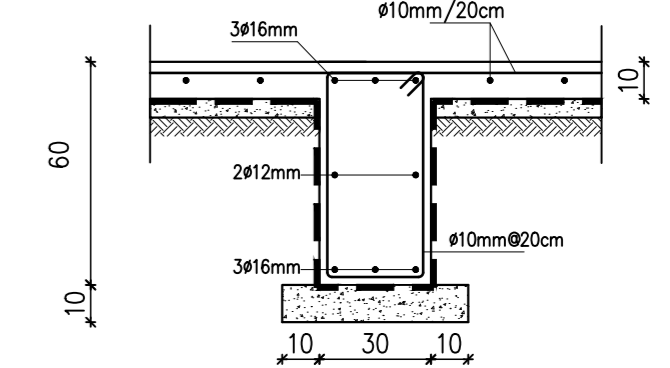
COLUMN C1
SCALE 1:20



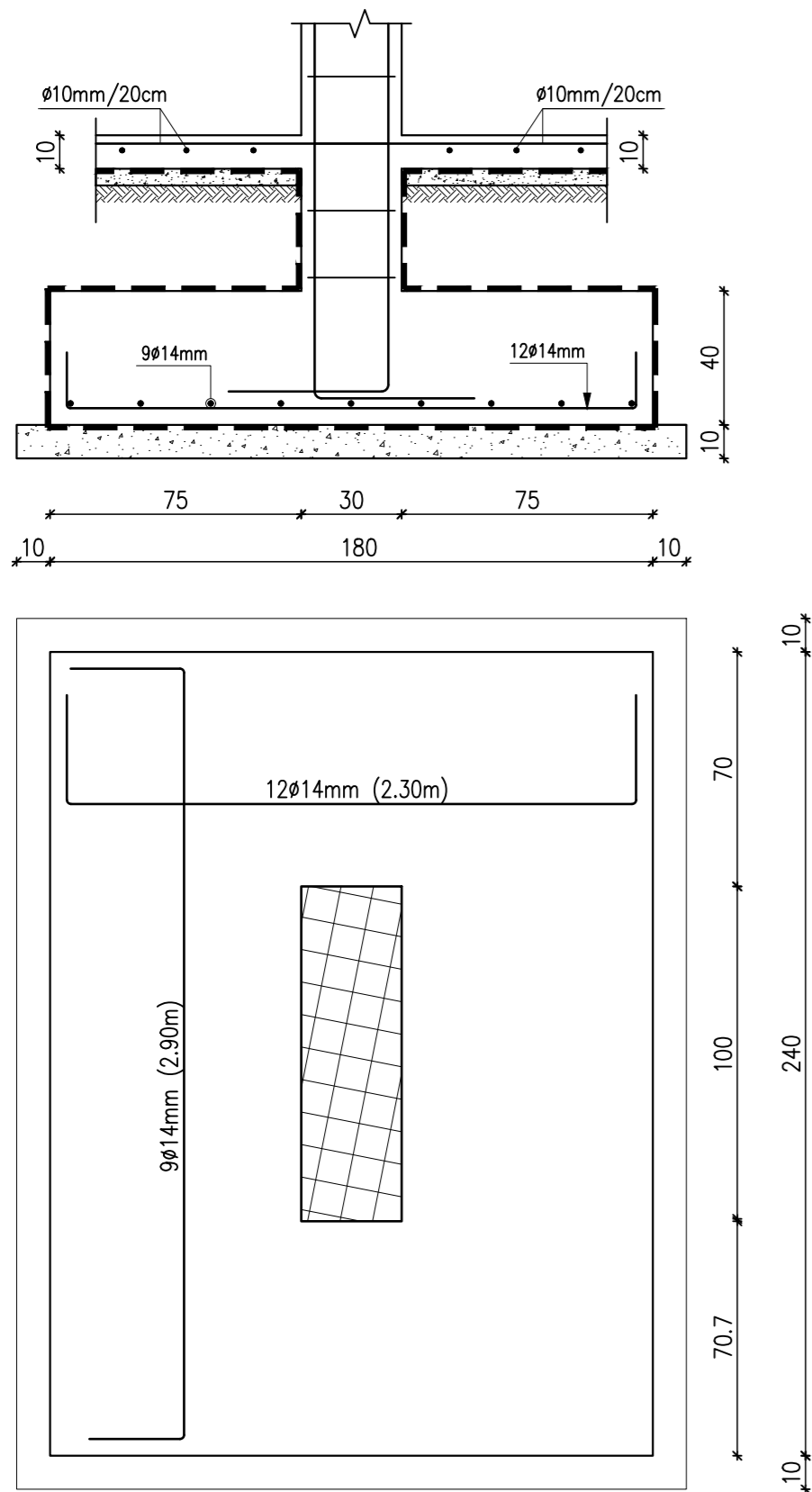
COLUMN C2
SCALE 1:20



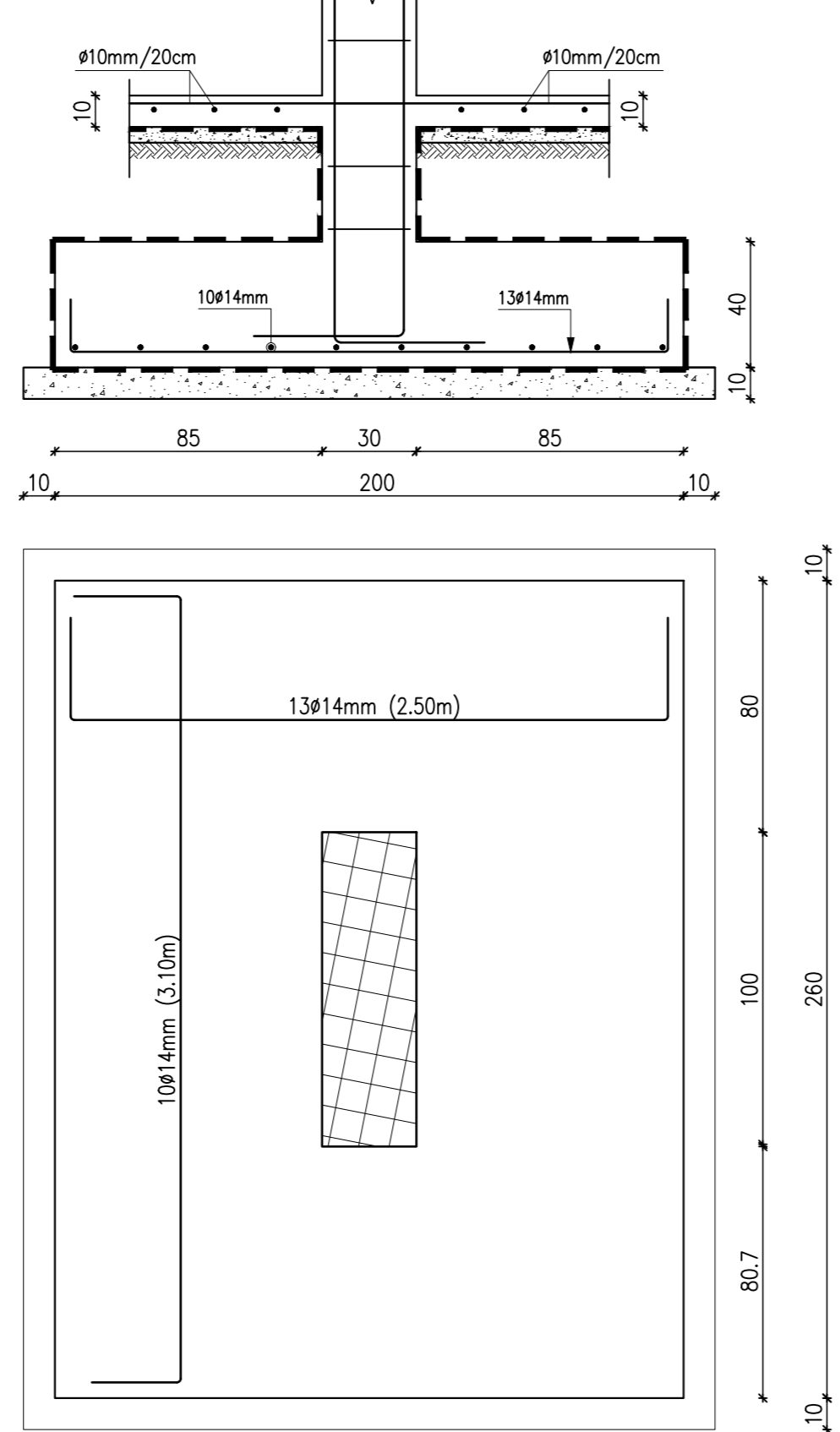
COLUMN C3
SCALE 1:20



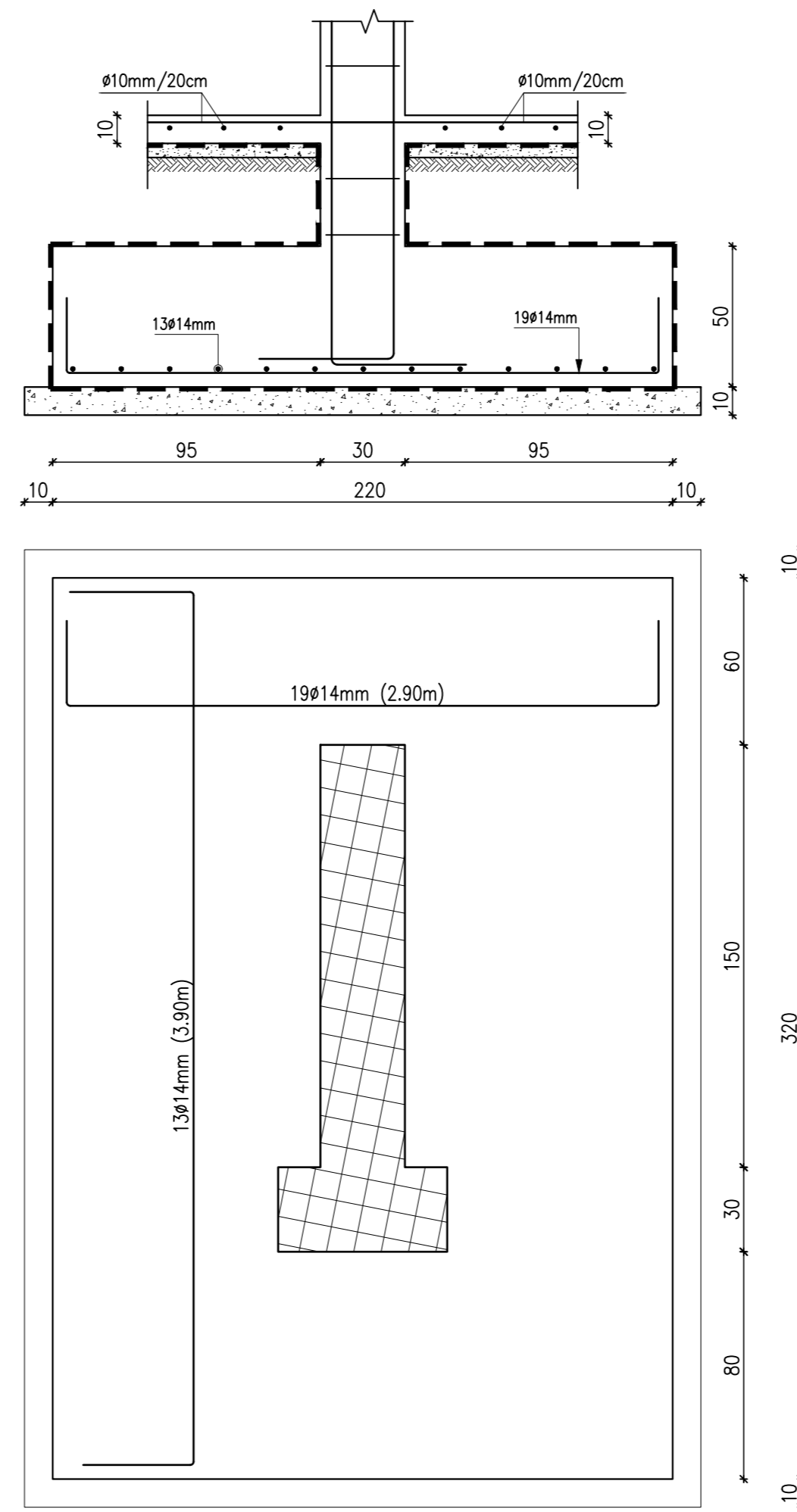
T.B-1
SCALE 1:20



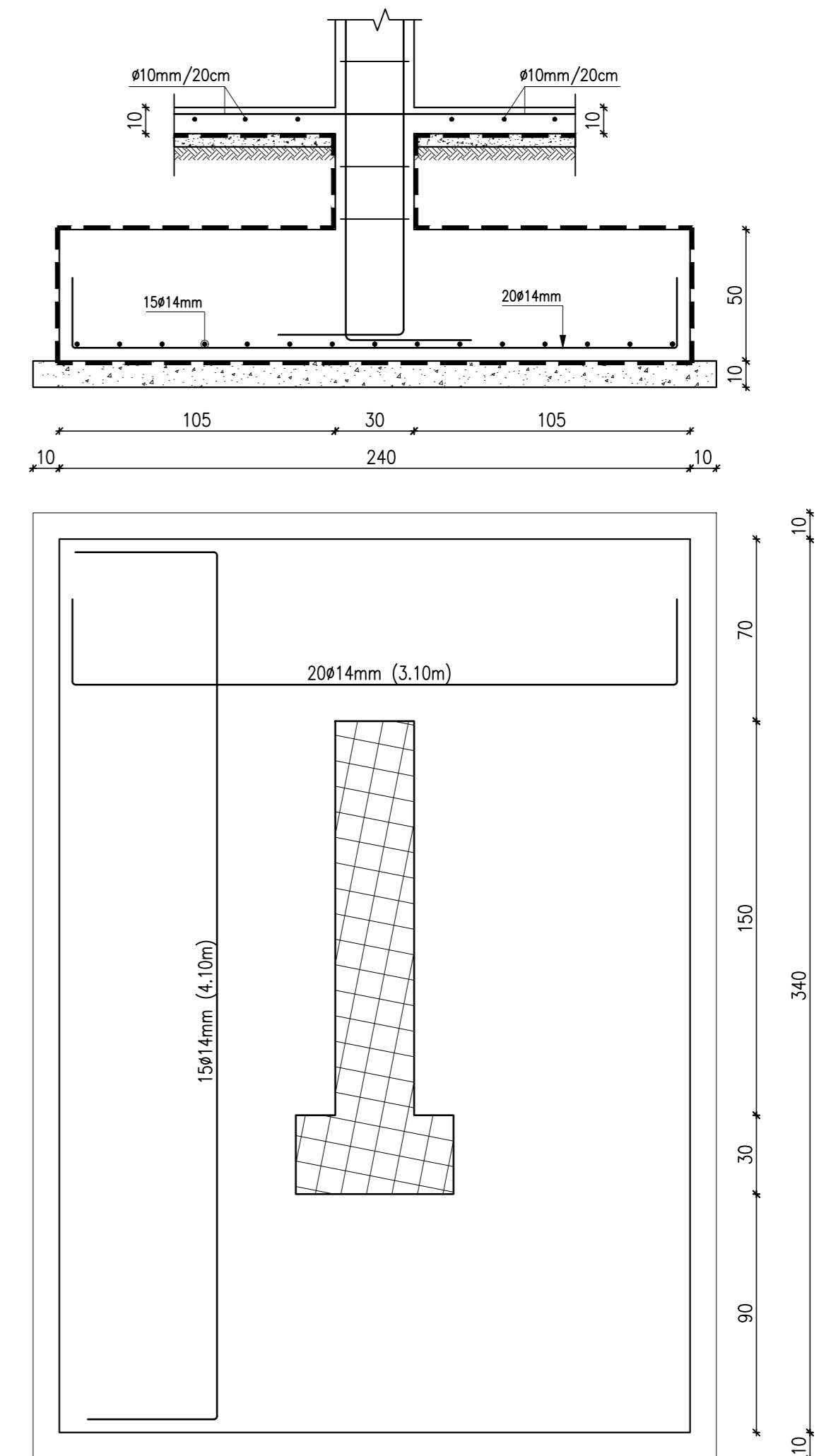
FOOTING F1
SCALE 1:20



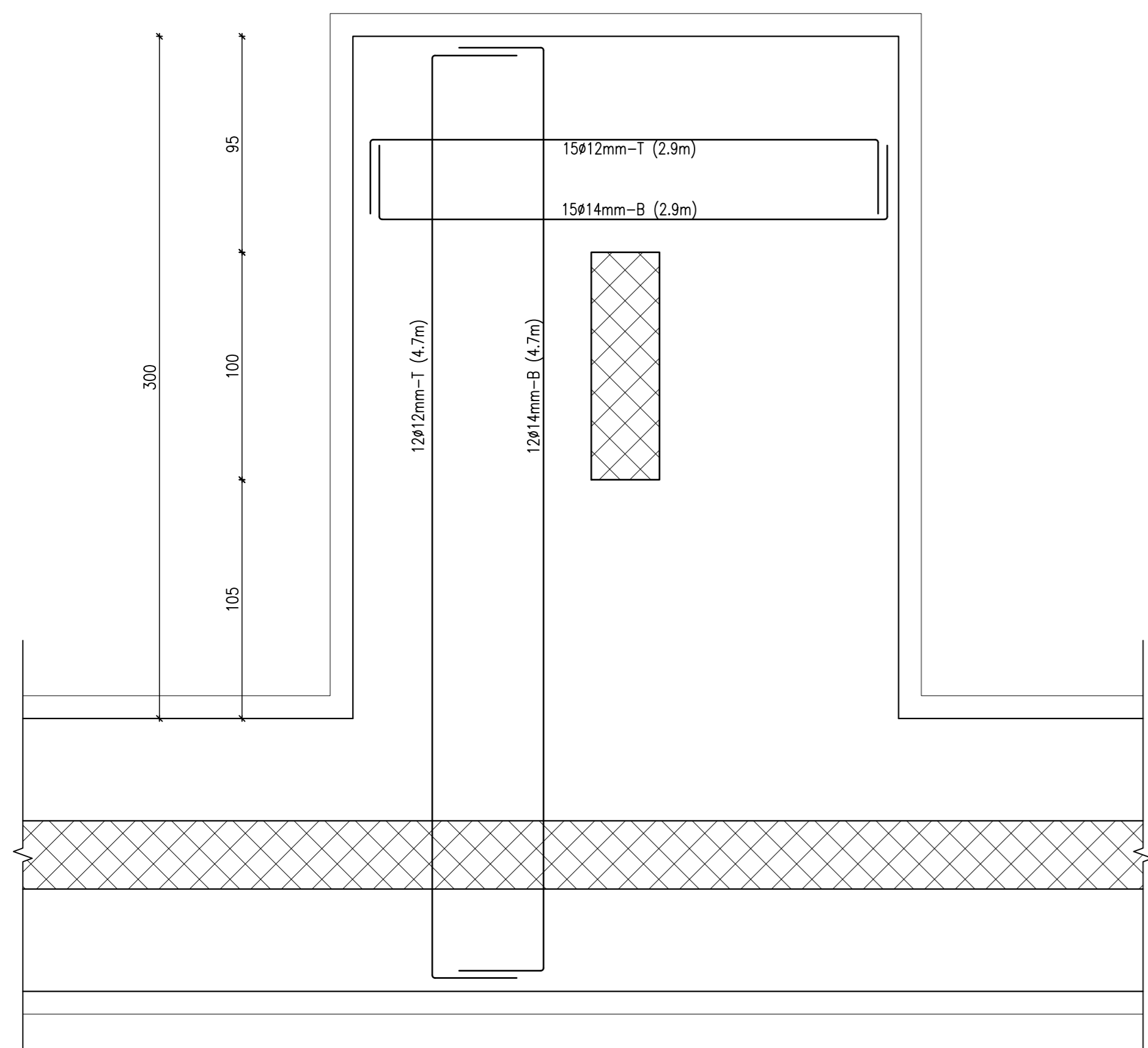
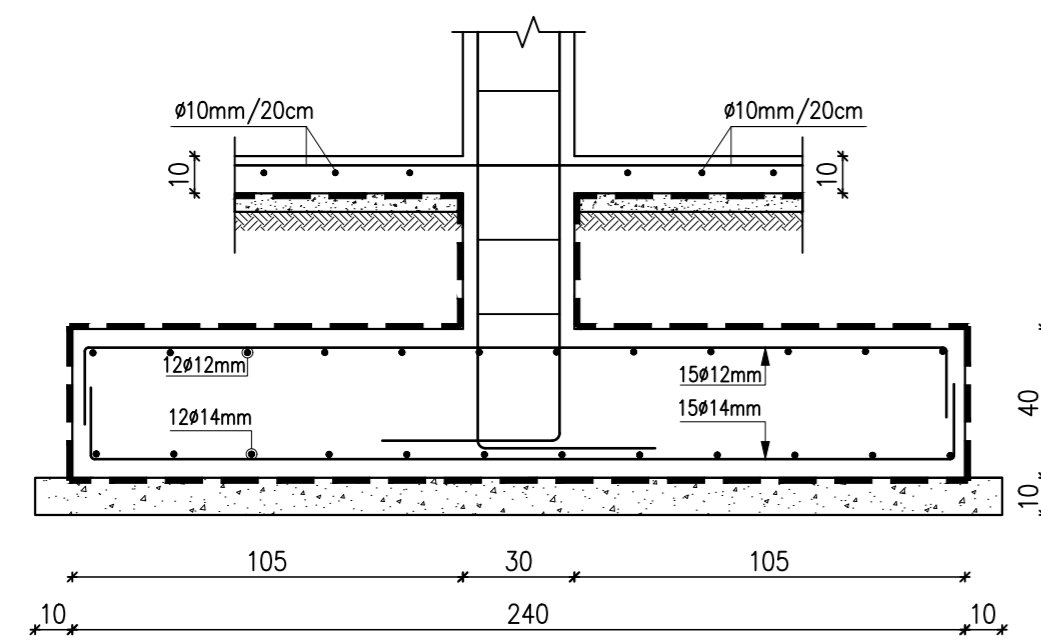
FOOTING F2
SCALE 1:20



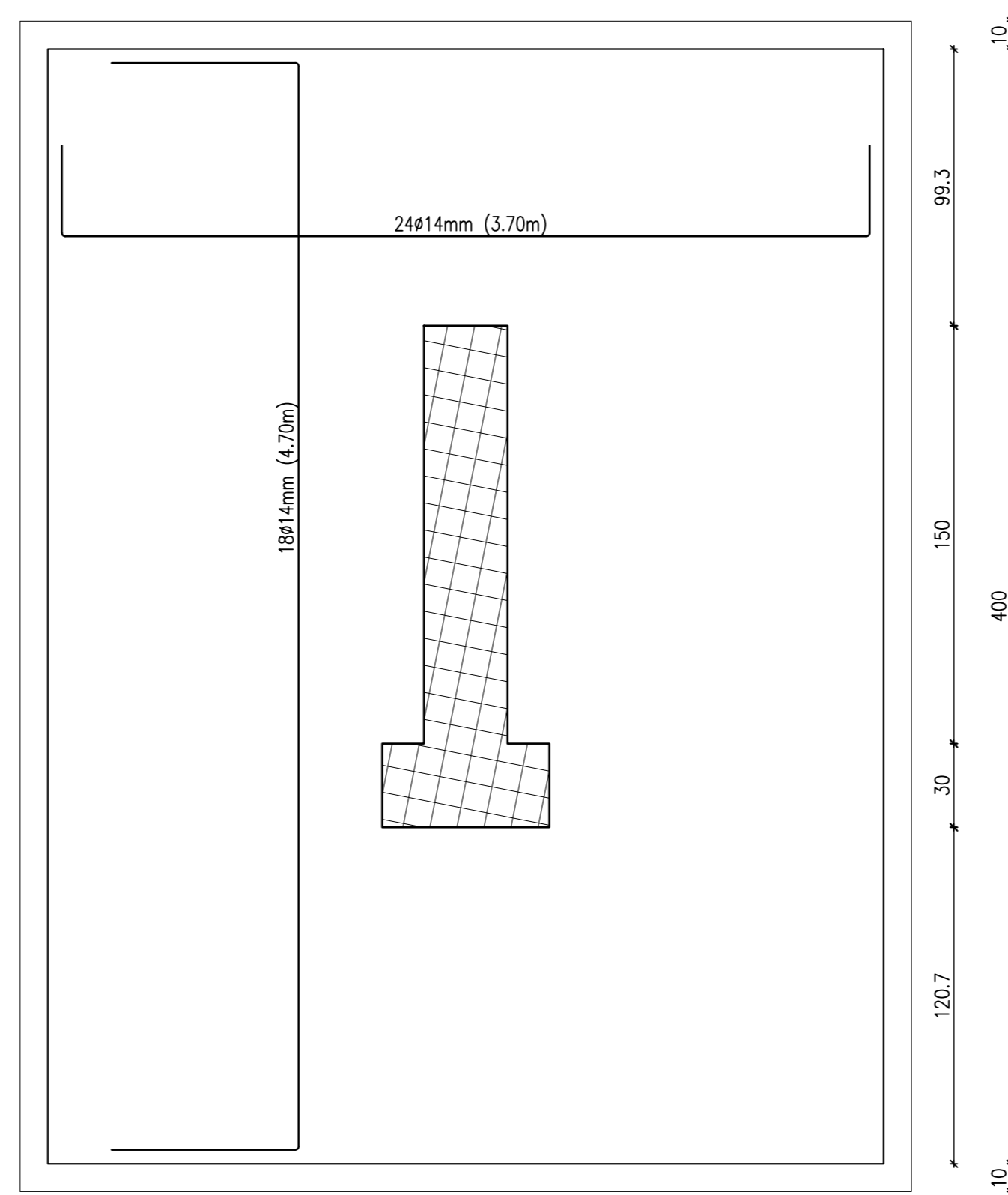
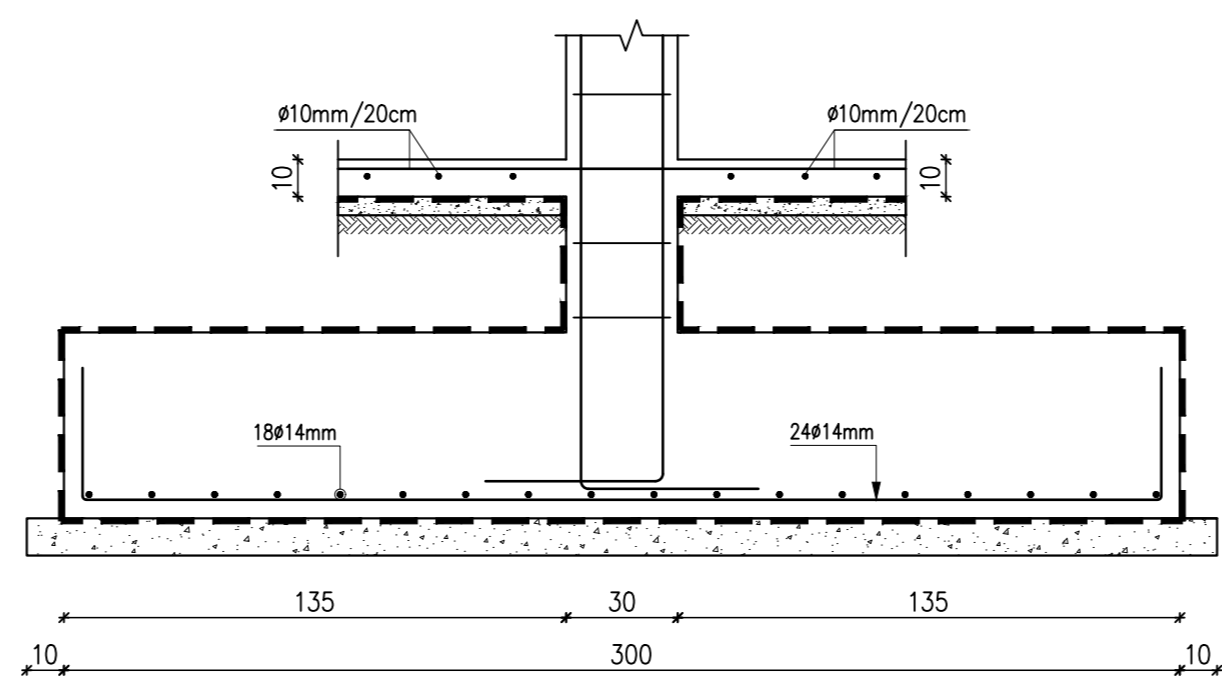
FOOTING F3
SCALE 1:20



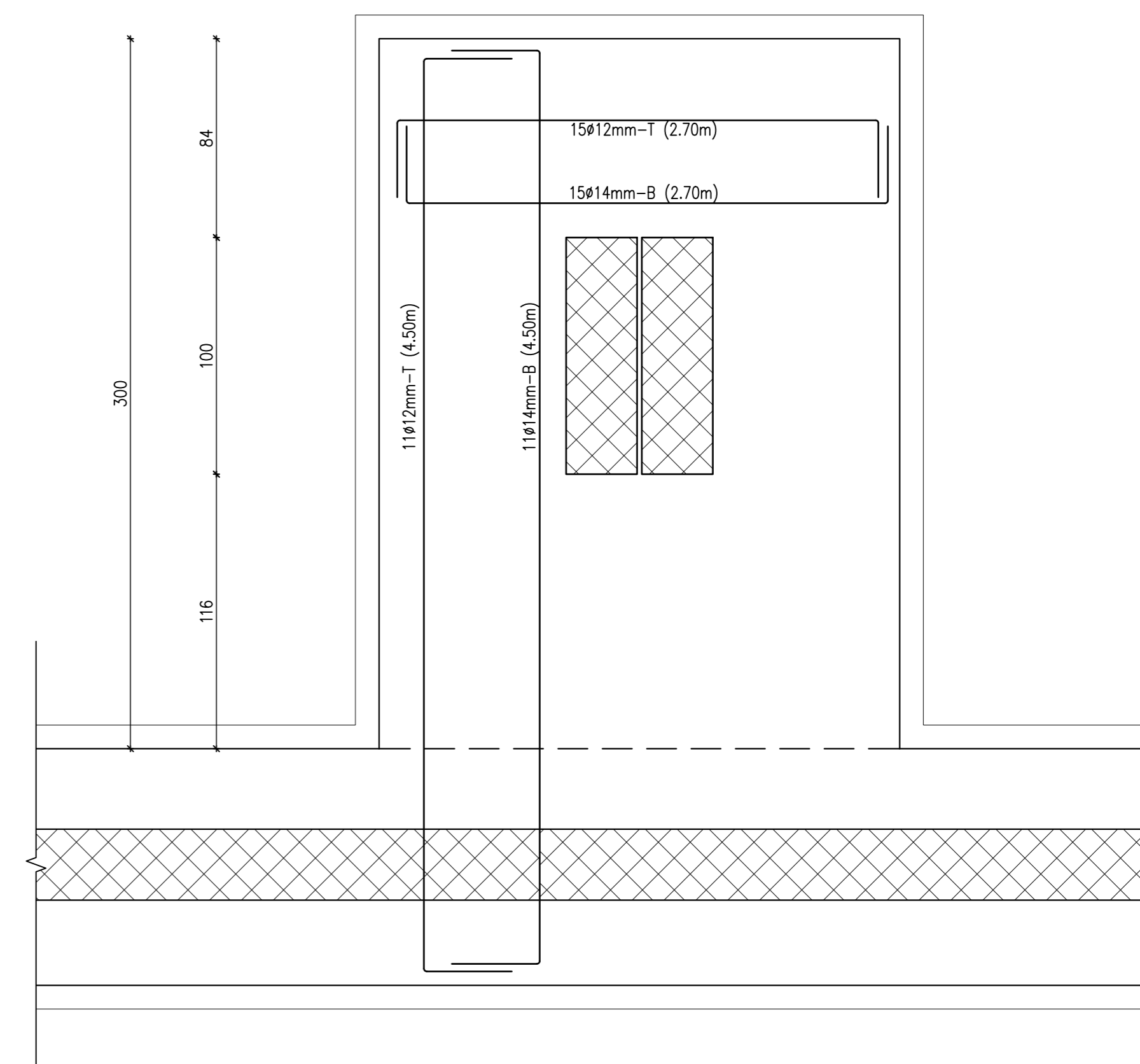
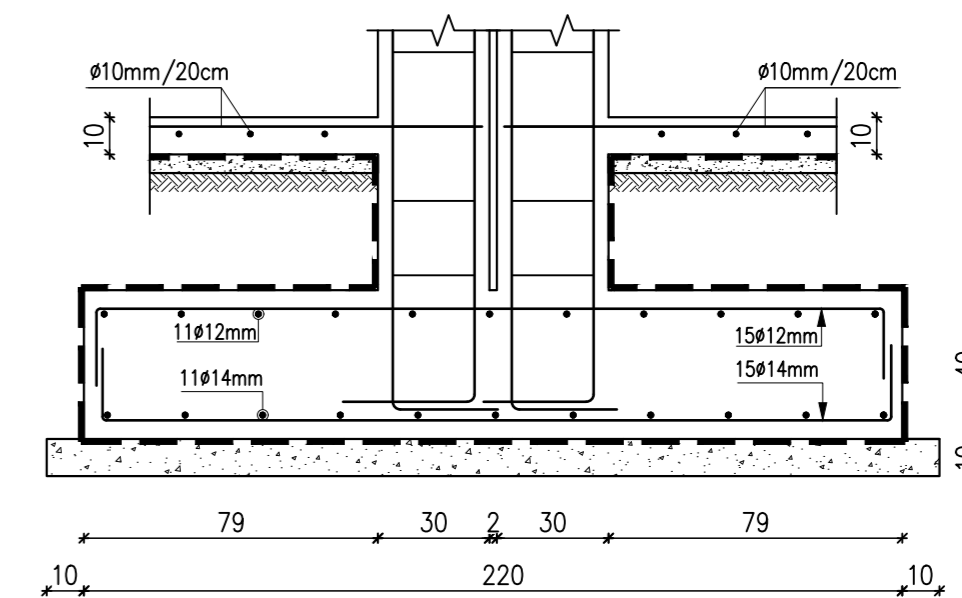
FOOTING F4
SCALE 1:20



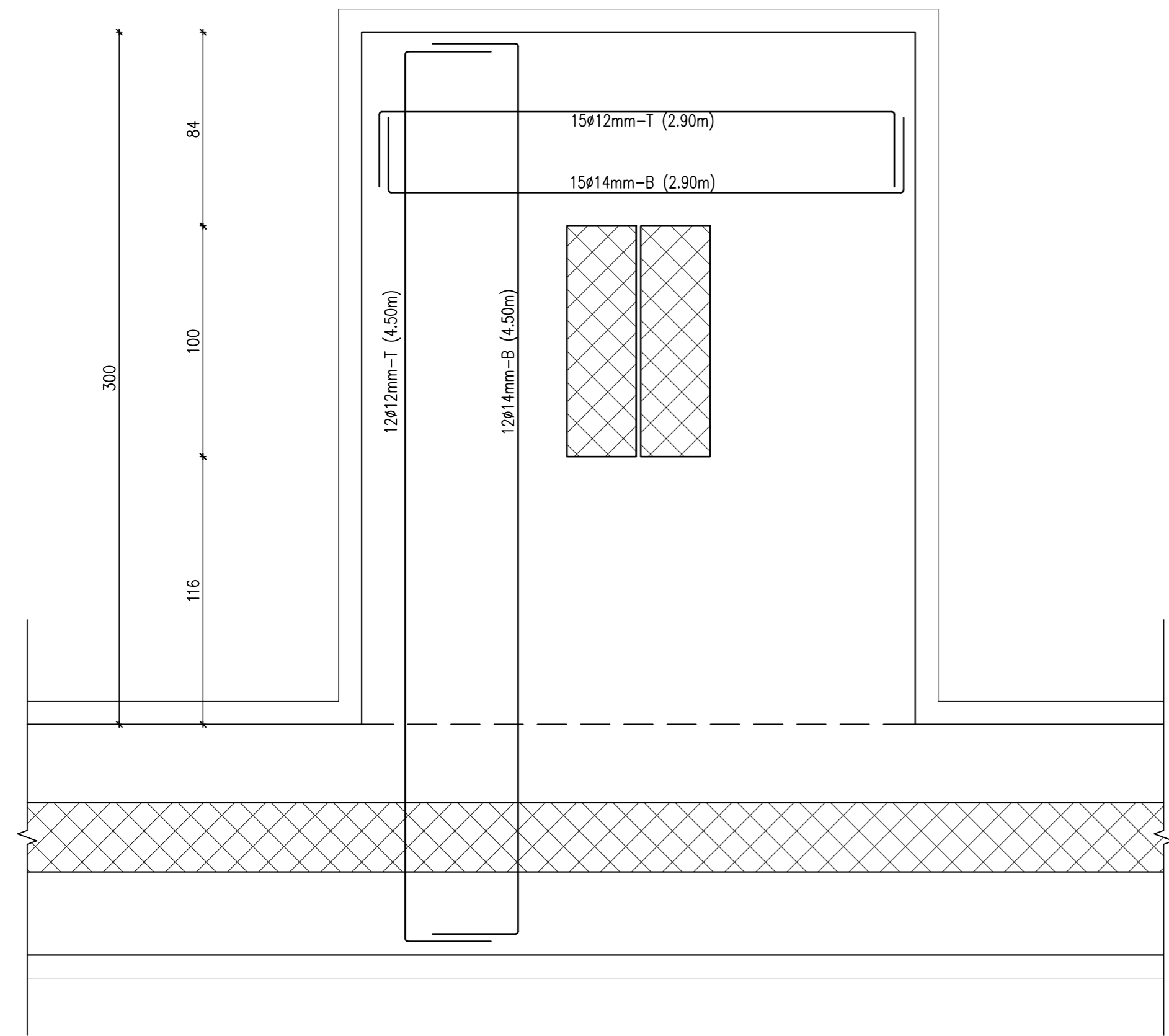
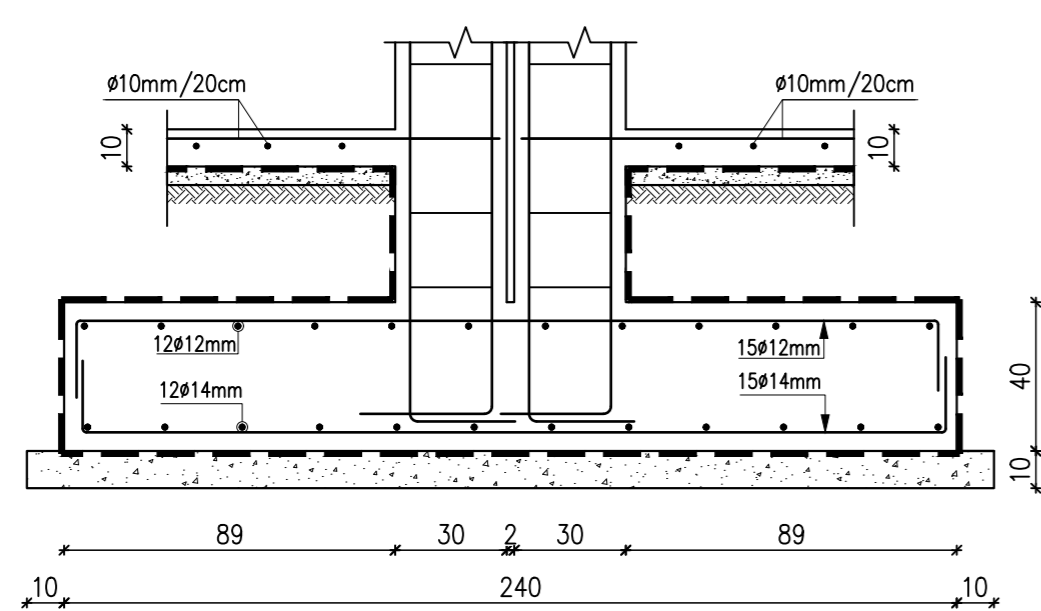
FOOTING F5
SCALE 1:20



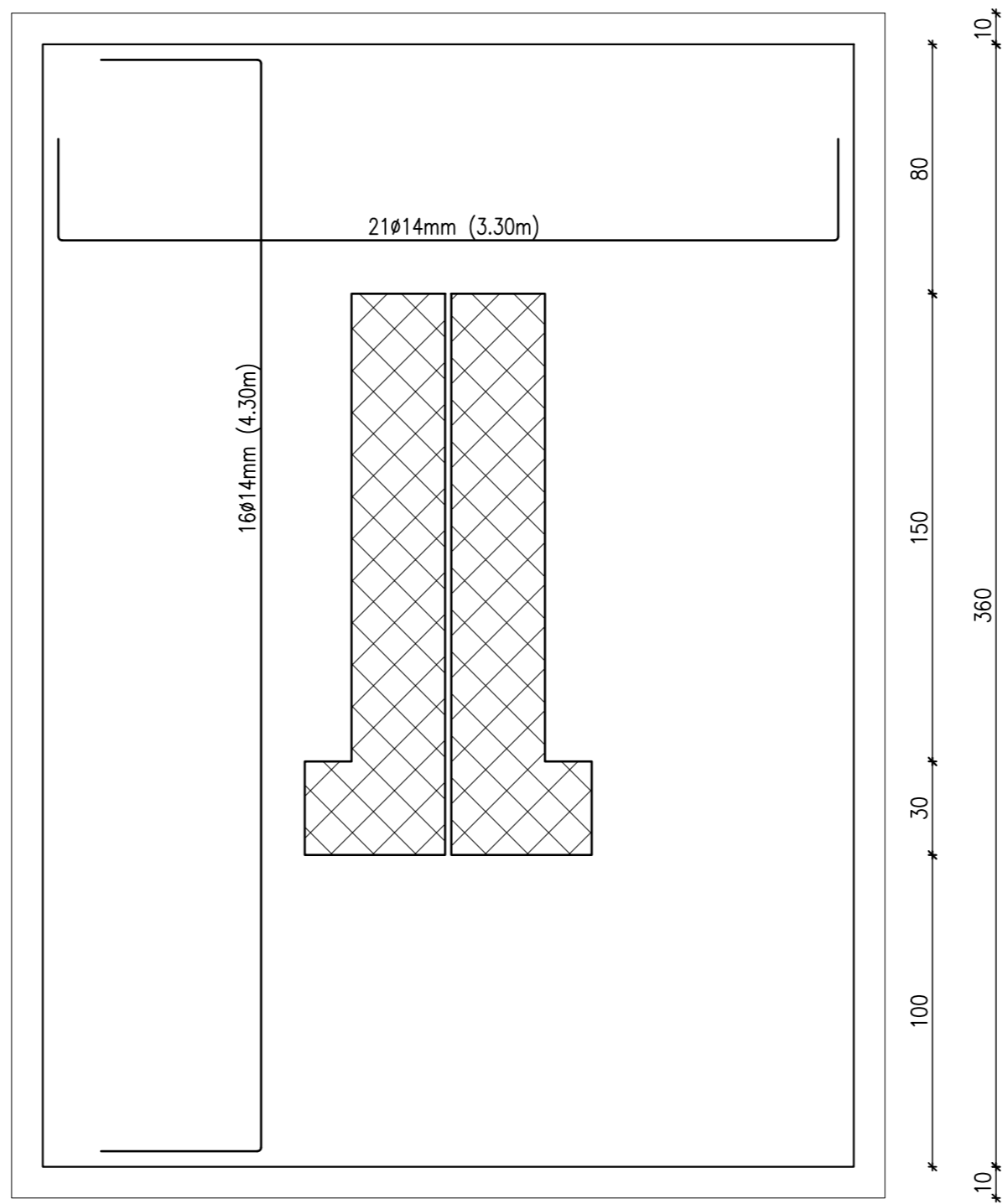
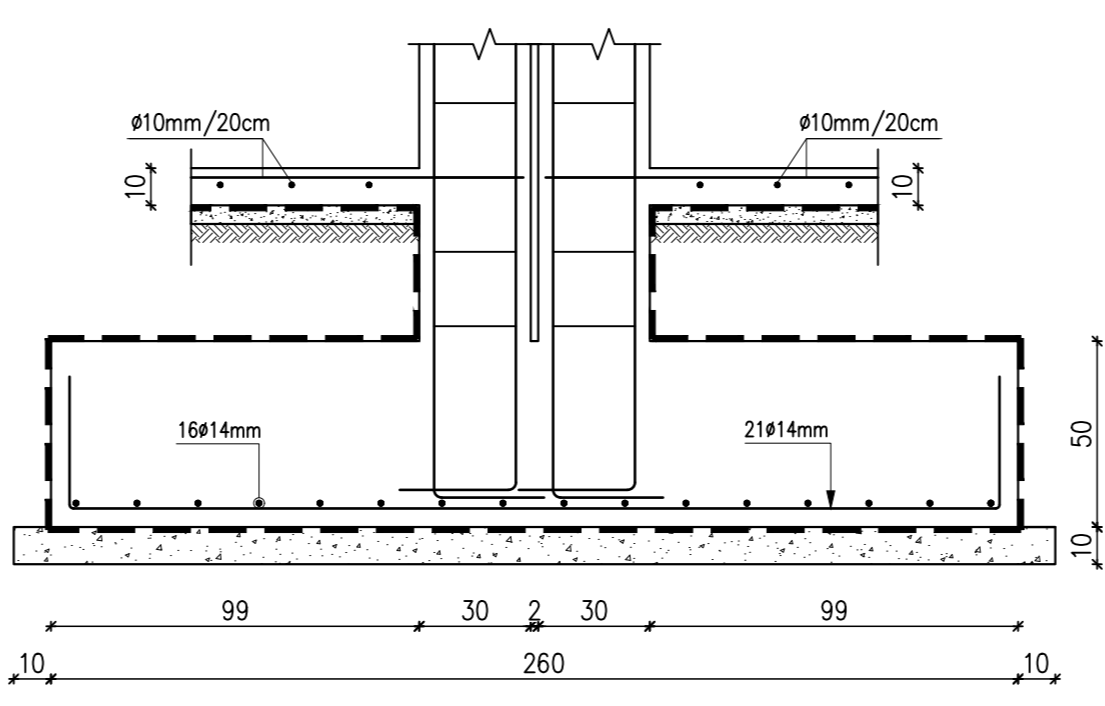
FOOTING F6
SCALE 1:20



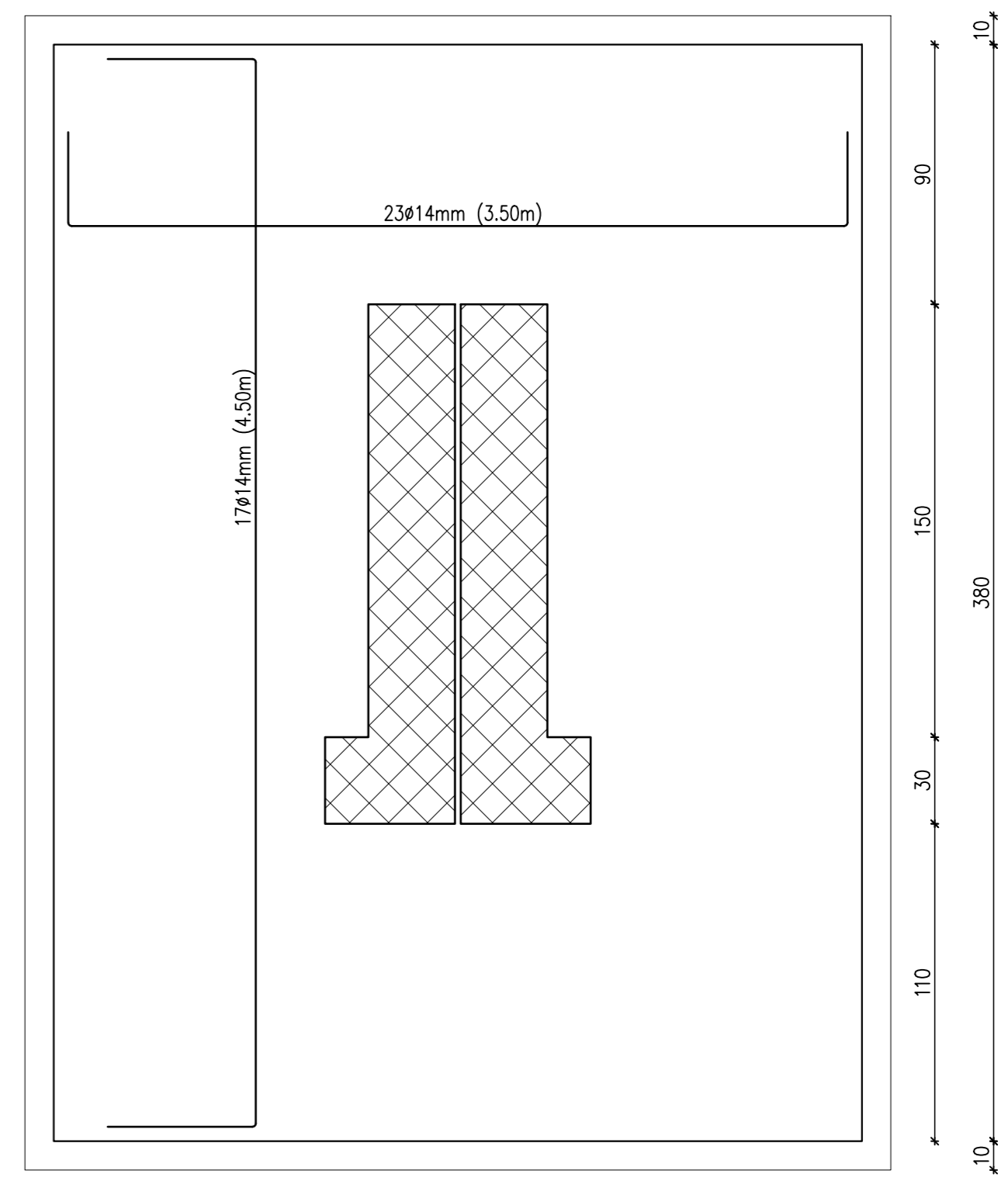
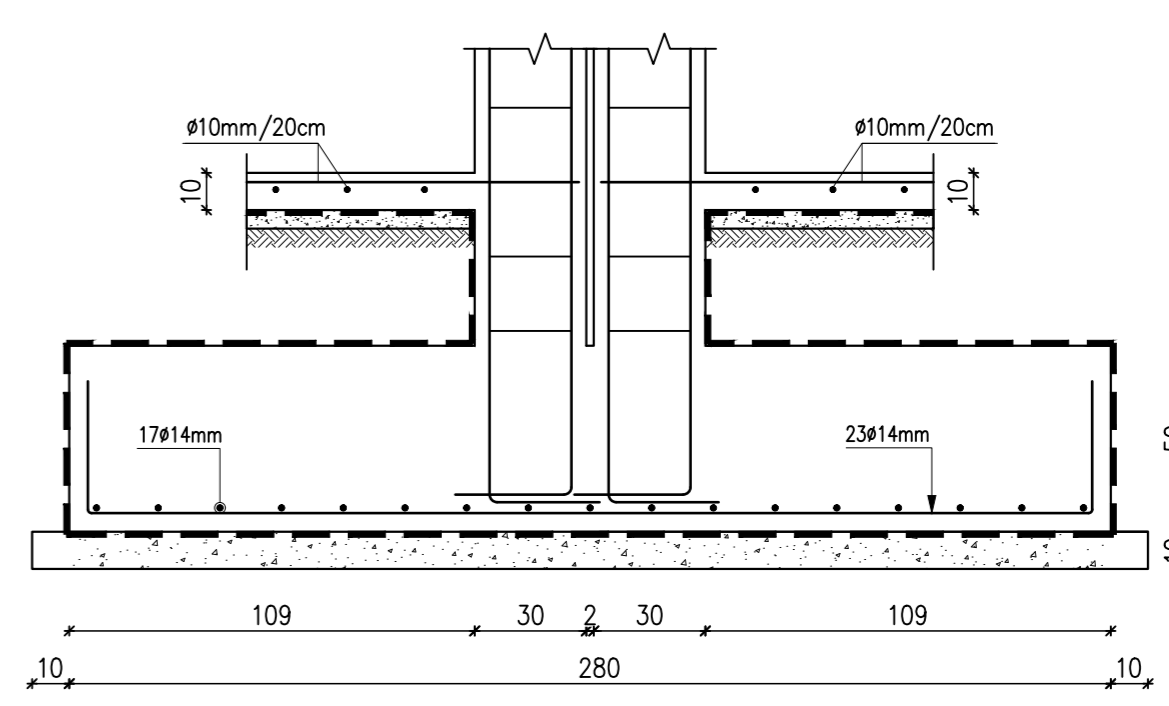
FOOTING F7
SCALE 1:20



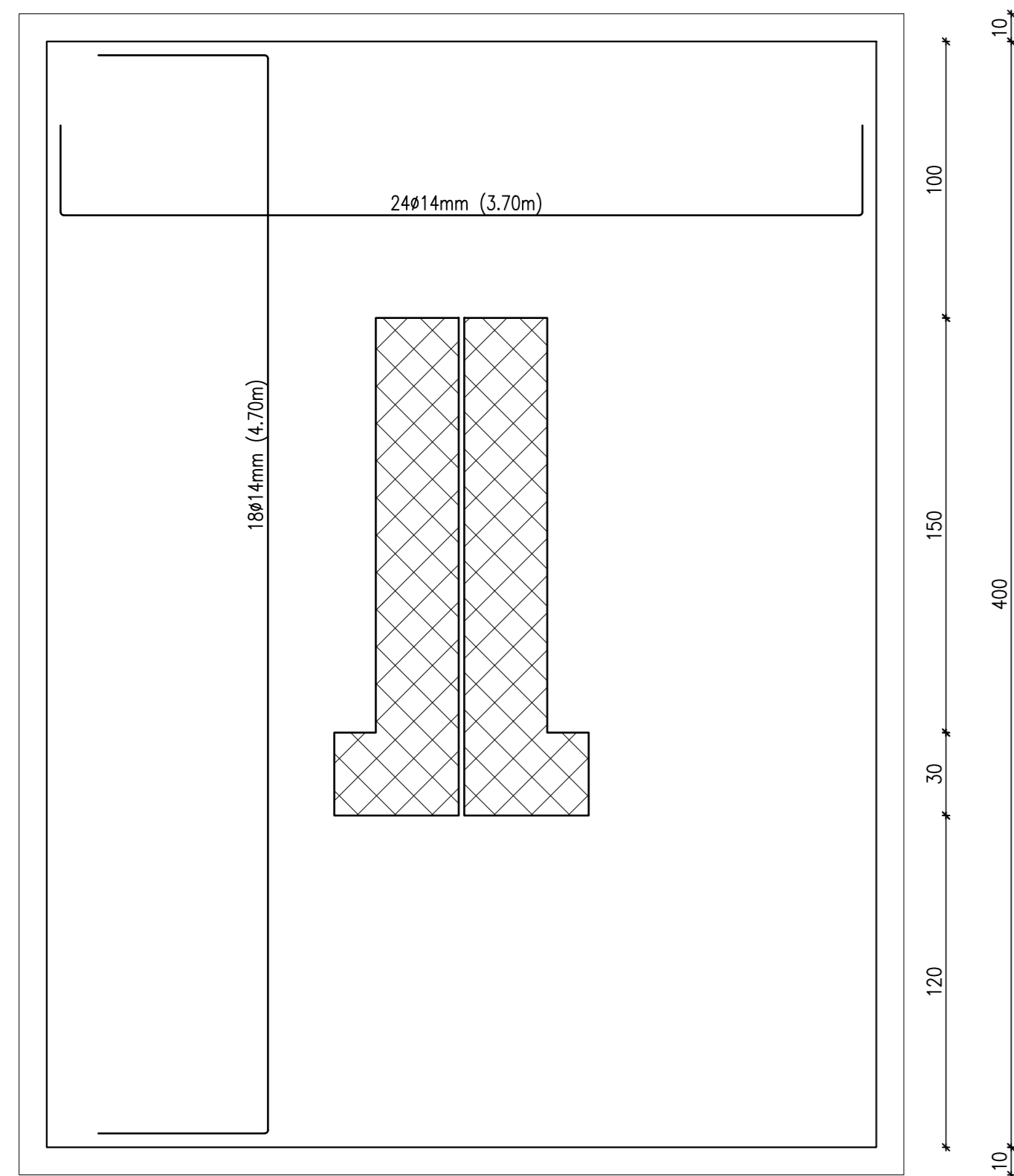
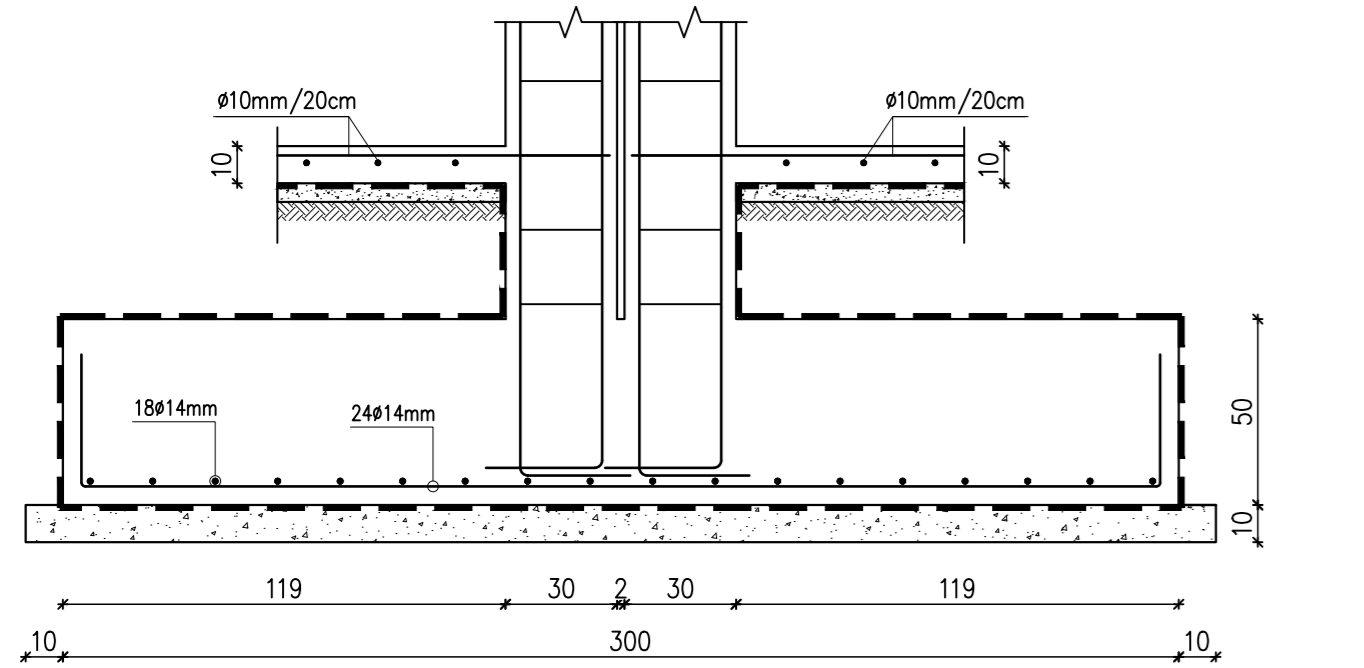
FOOTING F8
SCALE 1:20



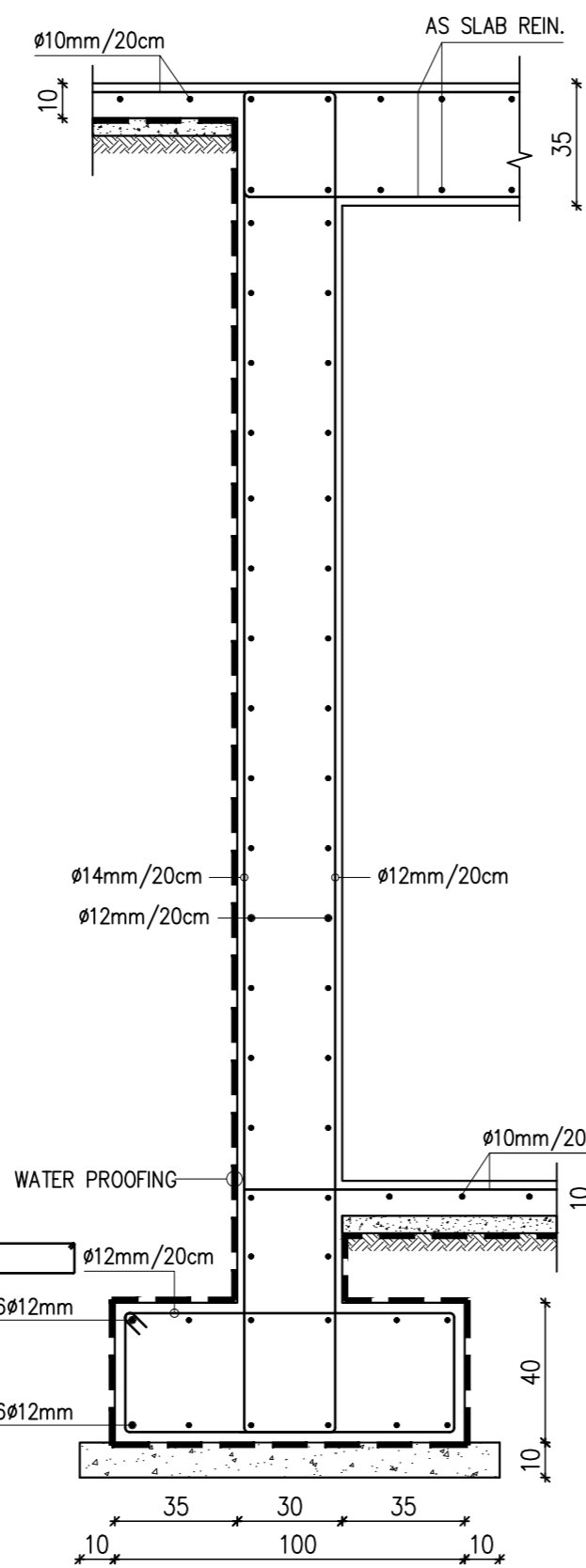
FOOTING F9
SCALE 1:20



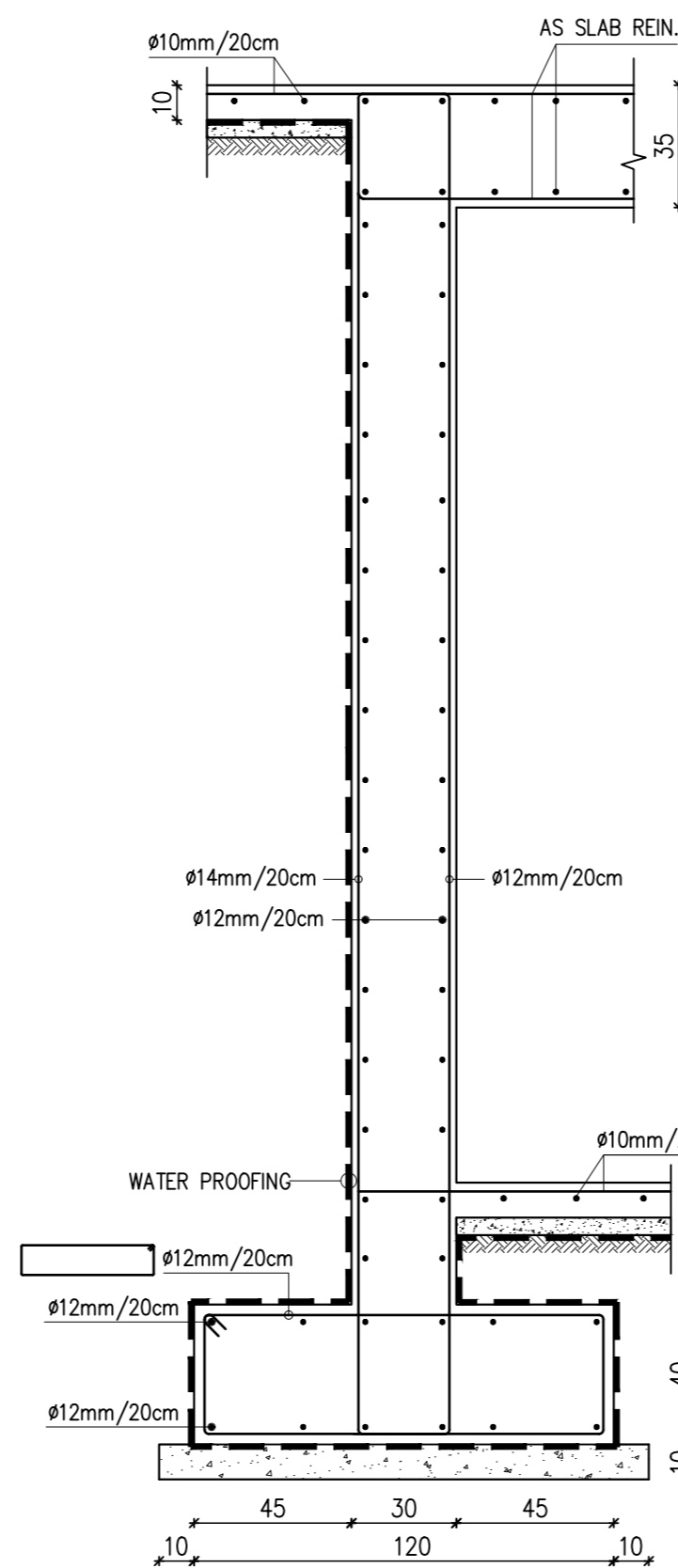
FOOTING F10
SCALE 1:20



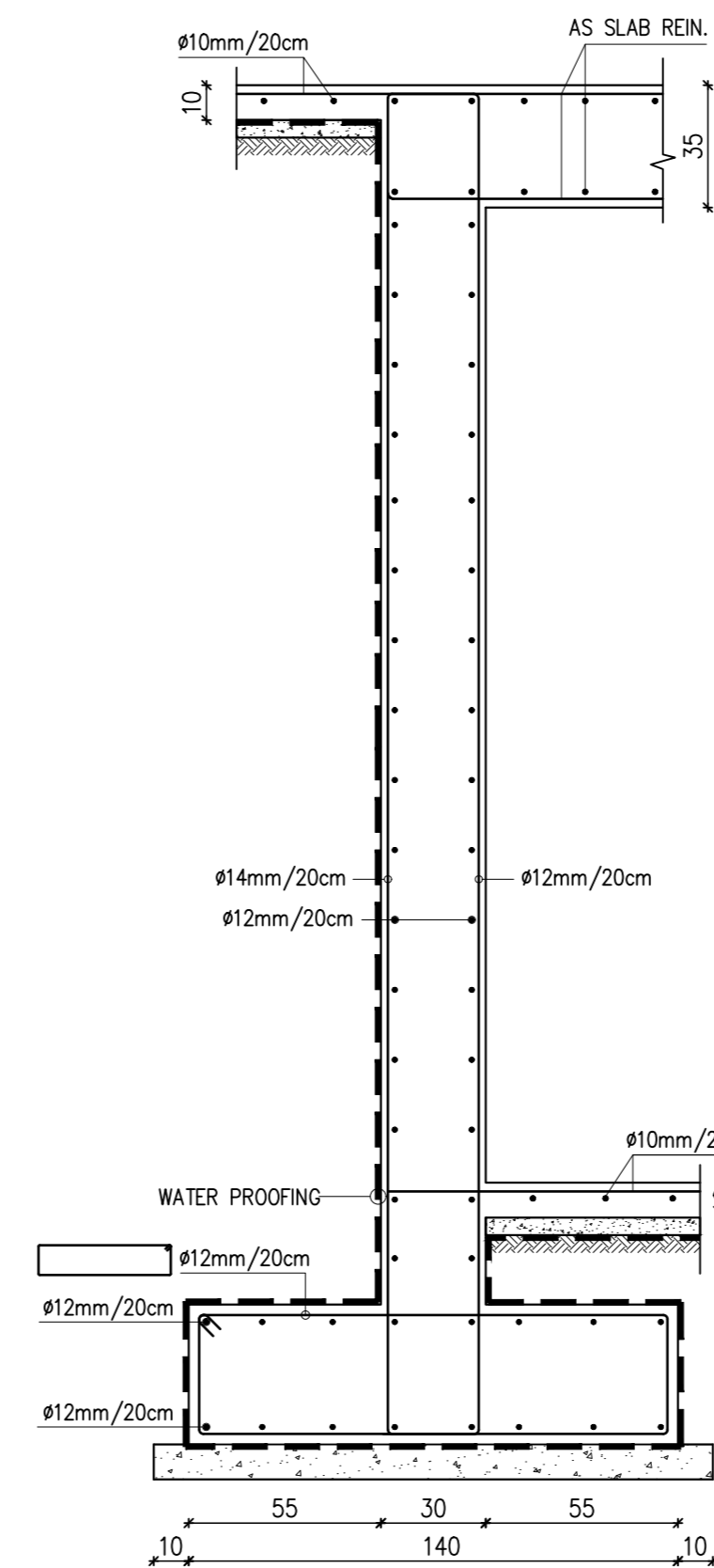
FOOTING F11
SCALE 1:20



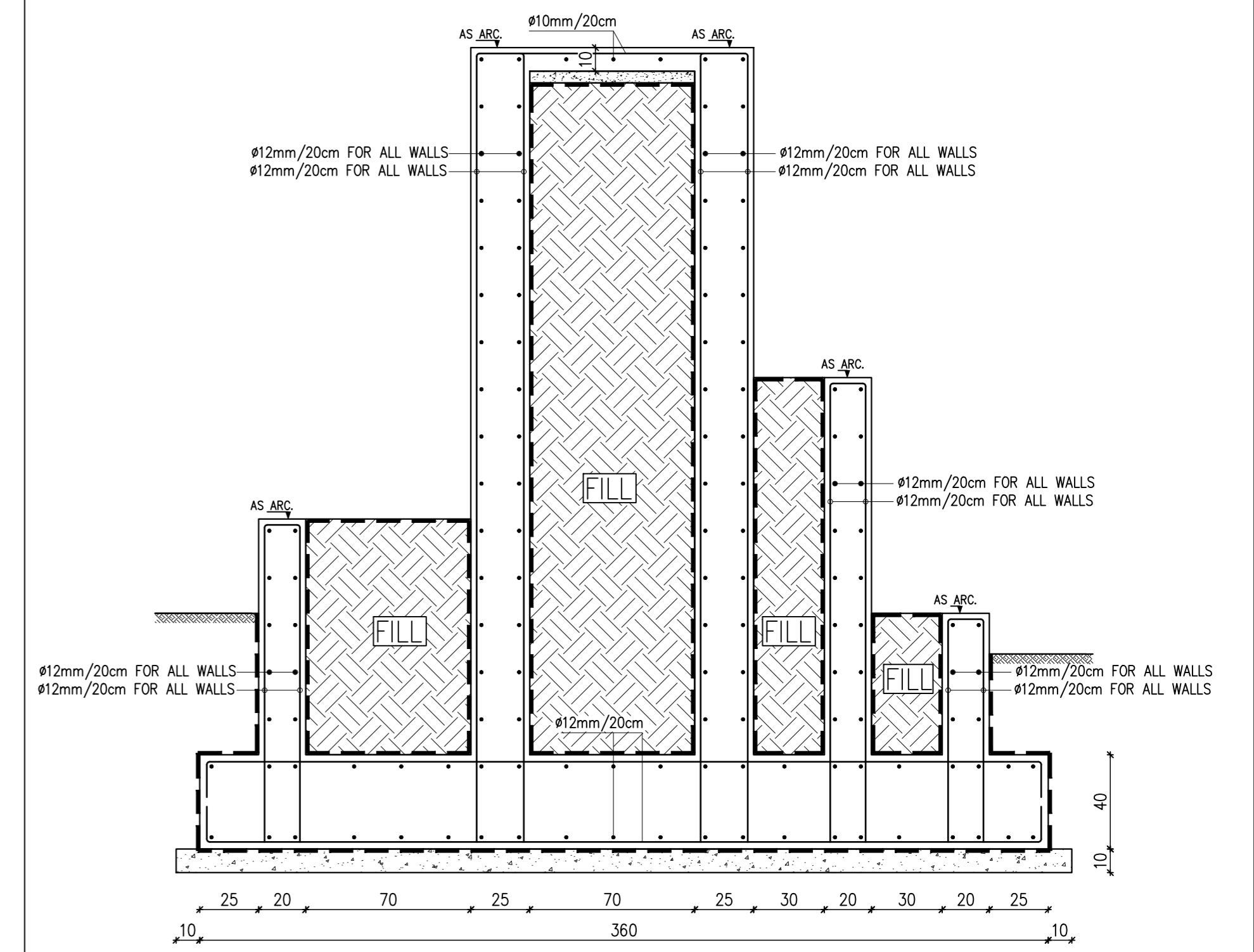
SECTION 1-1
SCALE 1:20



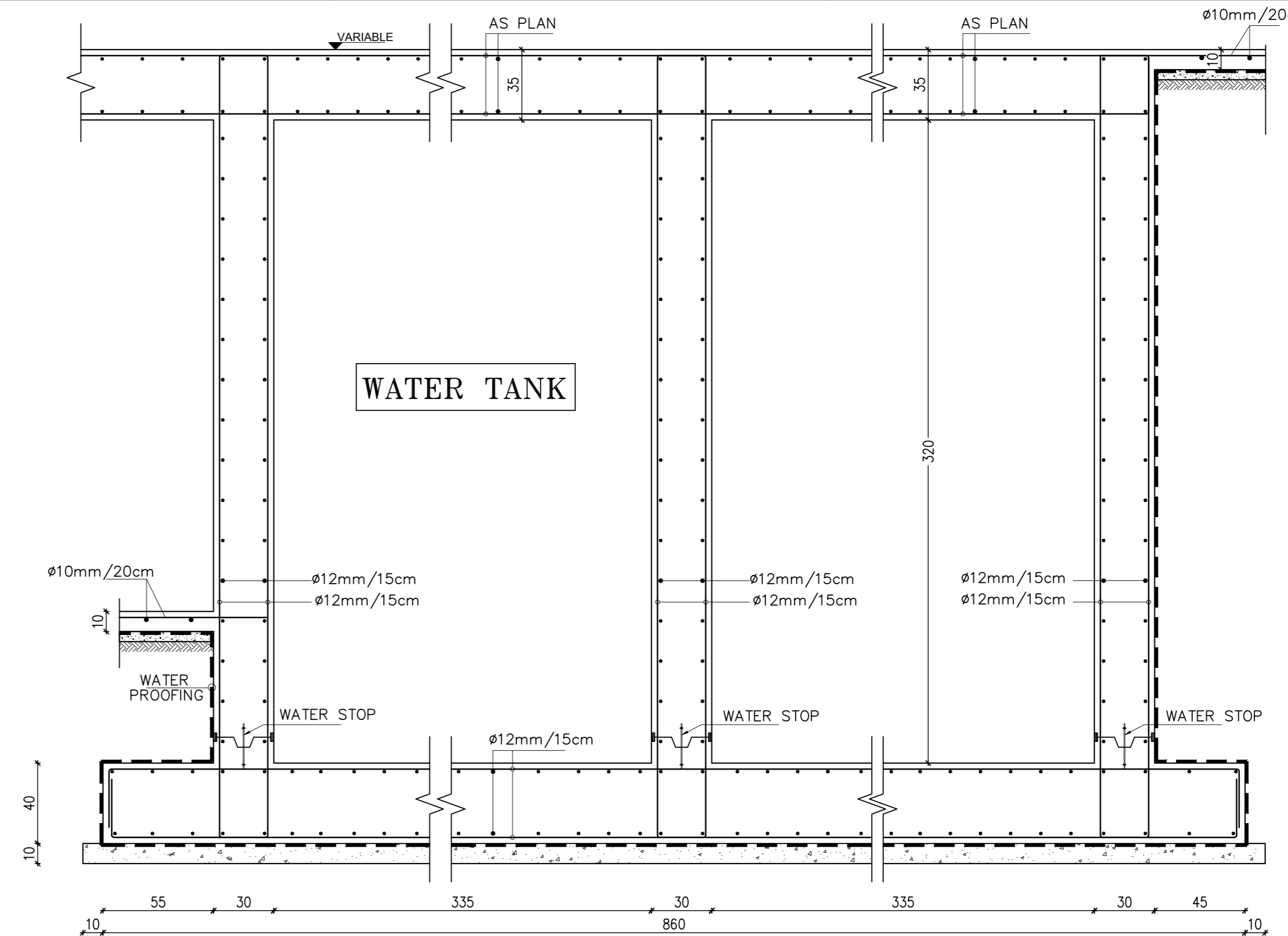
SECTION 2-2
SCALE 1:20



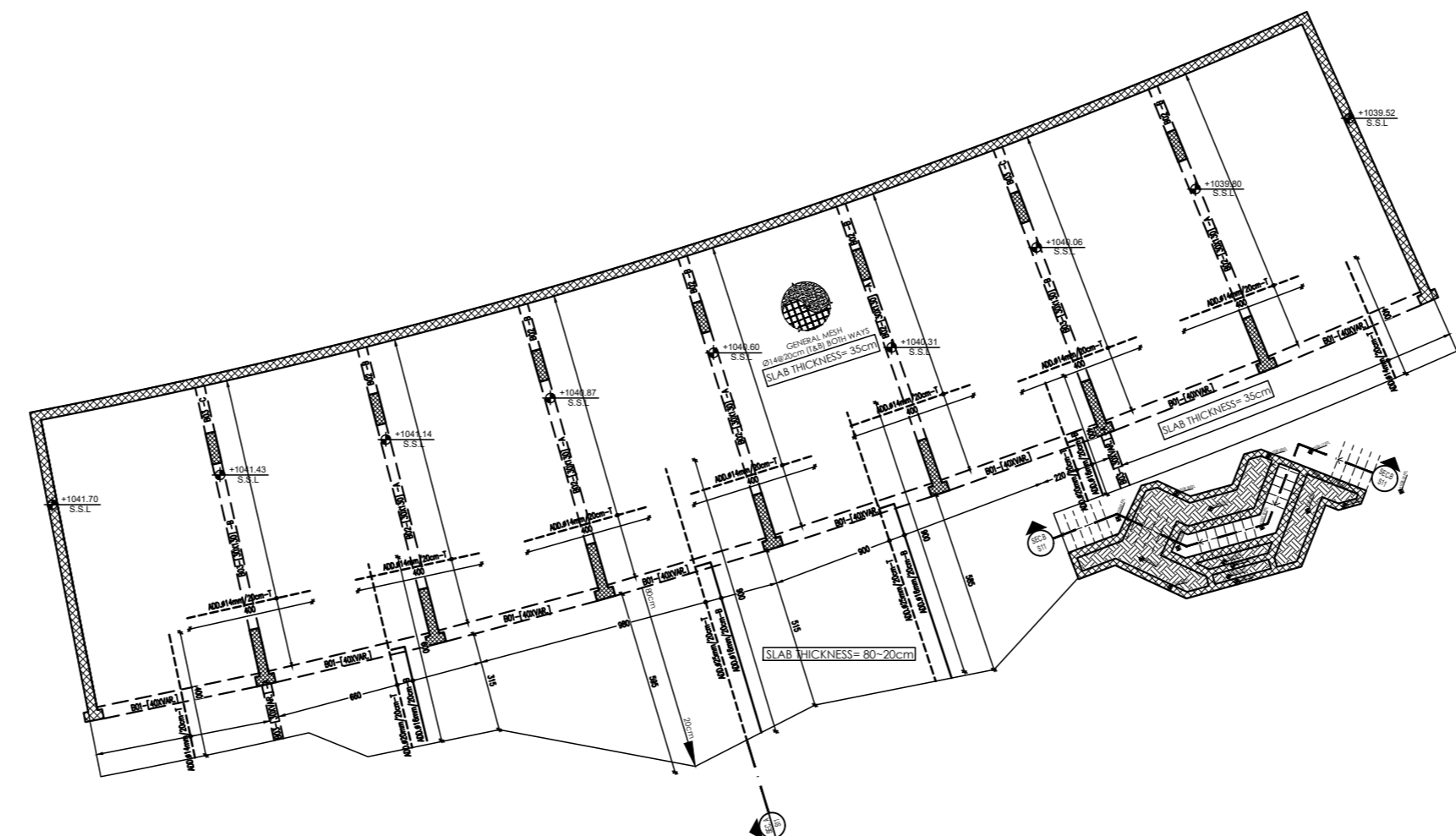
SECTION 3-3
SCALE 1:20



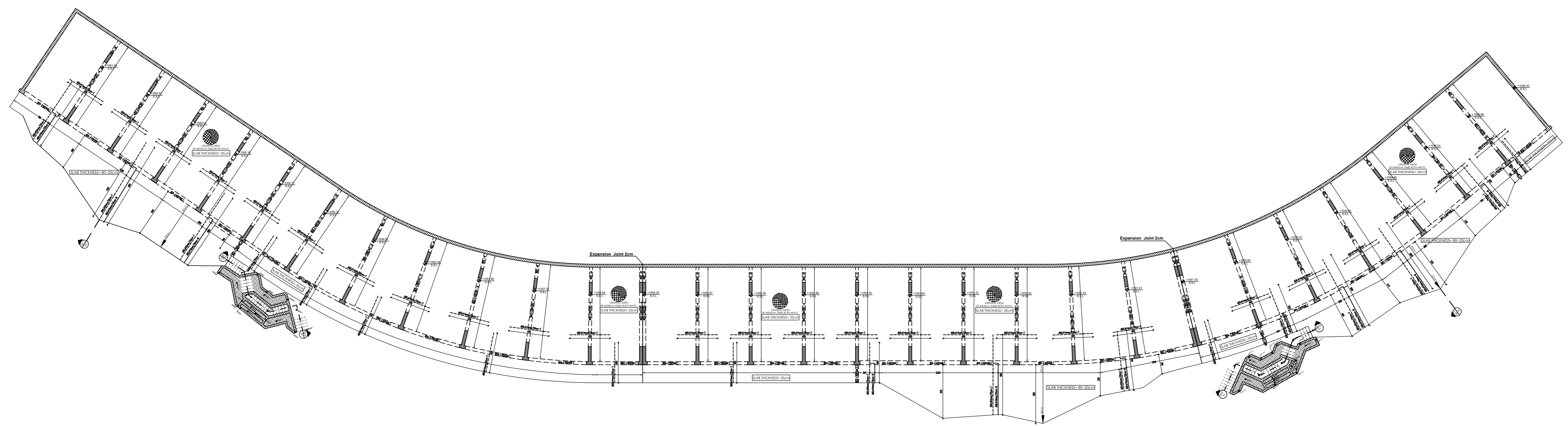
SECTION 4-4
SCALE 1:20



SECTION 5-5
SCALE 1:20

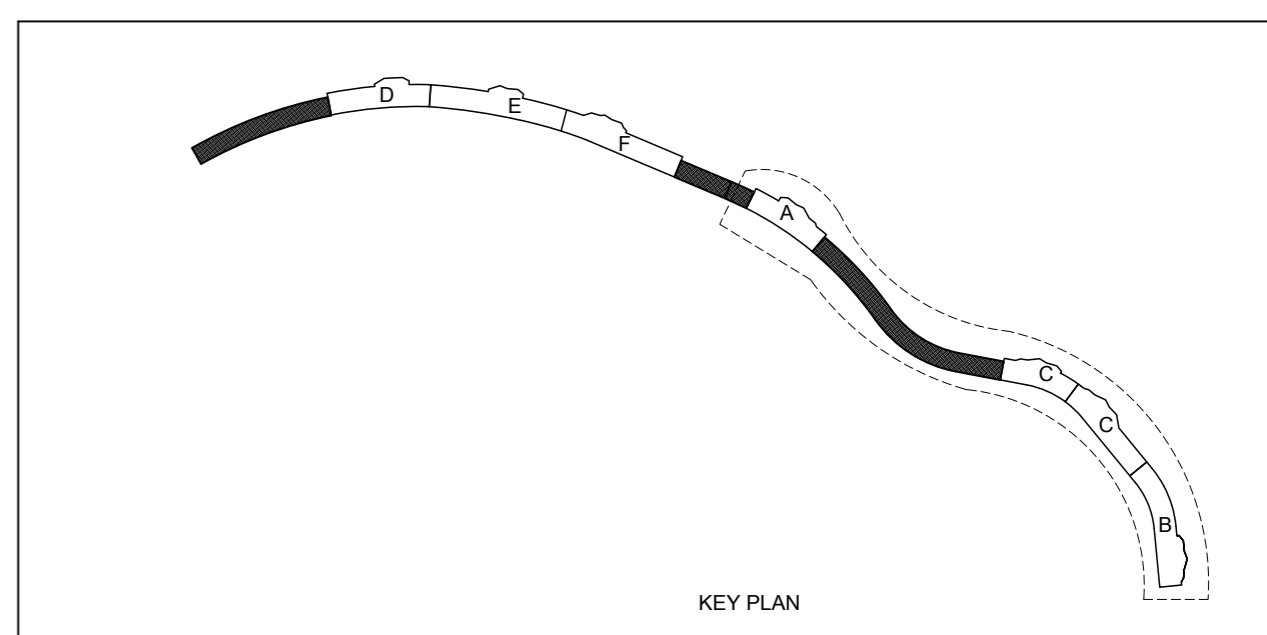


GROUND FLOOR SLAB TOP & BOTTOM REINFORCEMENT LAYOUT PLAN
GENERAL BOTTOM & TOP MESH (Ø14x1200x120) BOTH WAYS FOR SLAB THICK. • ADDITIONAL REINFORCEMENT AS NOTED ON PLAN



GROUND FLOOR SLAB TOP & BOTTOM REINFORCEMENT LAYOUT PLAN
GENERAL BOTTOM & TOP MESH (Ø14x1200x120) BOTH WAYS FOR SLAB THICK. • ADDITIONAL REINFORCEMENT AS NOTED ON PLAN

GROUND FLOOR SLAB TOP & BOTTOM REINFORCEMENT LAYOUT PLAN
GENERAL BOTTOM & TOP MESH (Ø14x1200x120) BOTH WAYS FOR SLAB THICK. • ADDITIONAL REINFORCEMENT AS NOTED ON PLAN



KEY PLAN

KHAMMASH ARCHITECTS
P.O. Box 51474, Amman - 11192, Jordan. Tel: +962 6 5655134. Fax: +962 6 5622386
Email: info@khammash.com

CLIENT
00000000000
PROJECT
ADDRESS
0000000, JORDAN

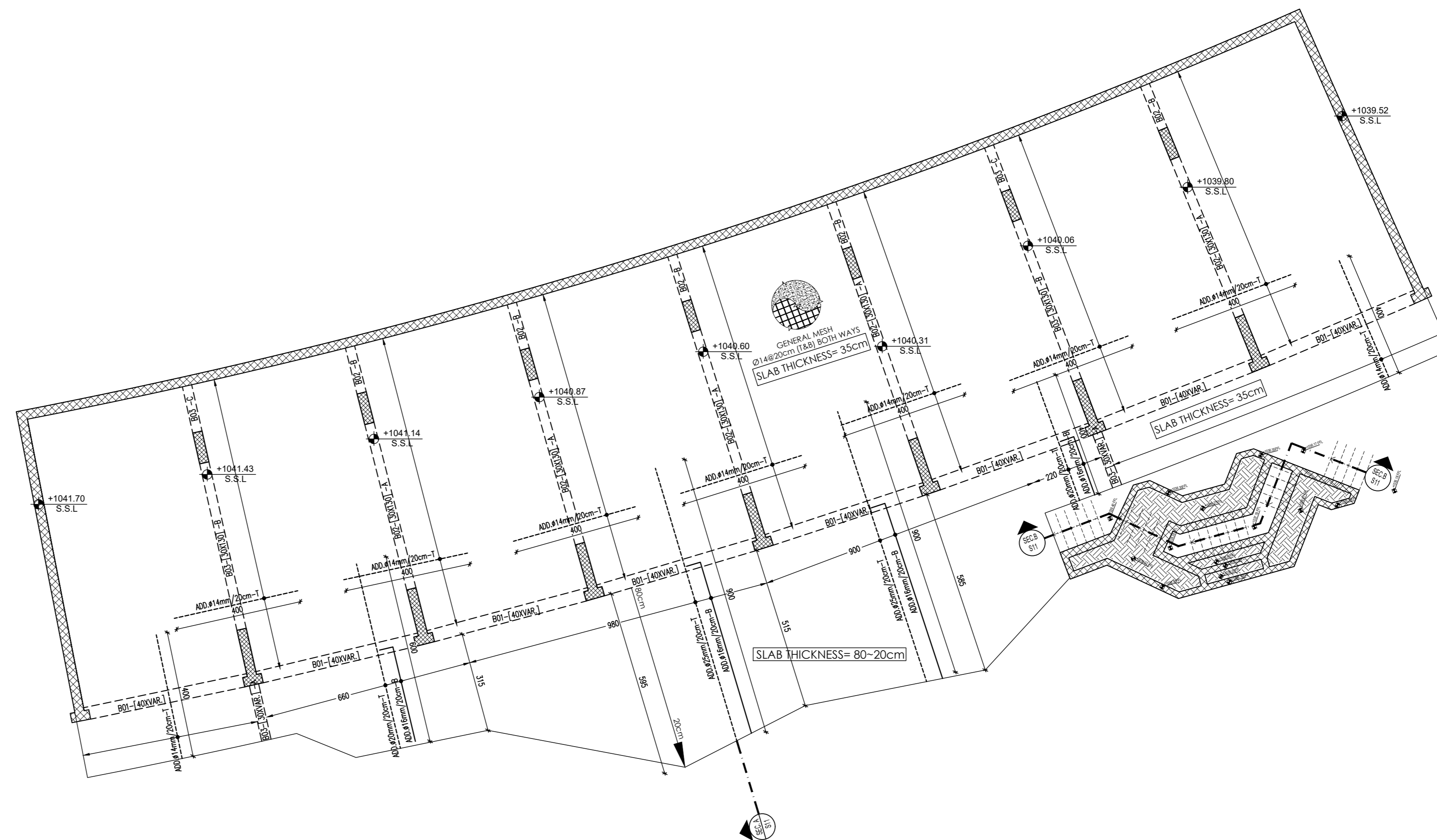
STATUS
TENDER
Copyright 2019 - Khammash Architects
THIS DRAWING IS AND AT ALL TIMES REMAINS THE EXCLUSIVE PROPERTY OF KHAMMASH ARCHITECTS. ALL MEASUREMENTS MUST BE CHECKED BY THE CONTRACTOR ON SITE BEFORE THE COMMENCEMENT OF ANY WORKS.

NOTES

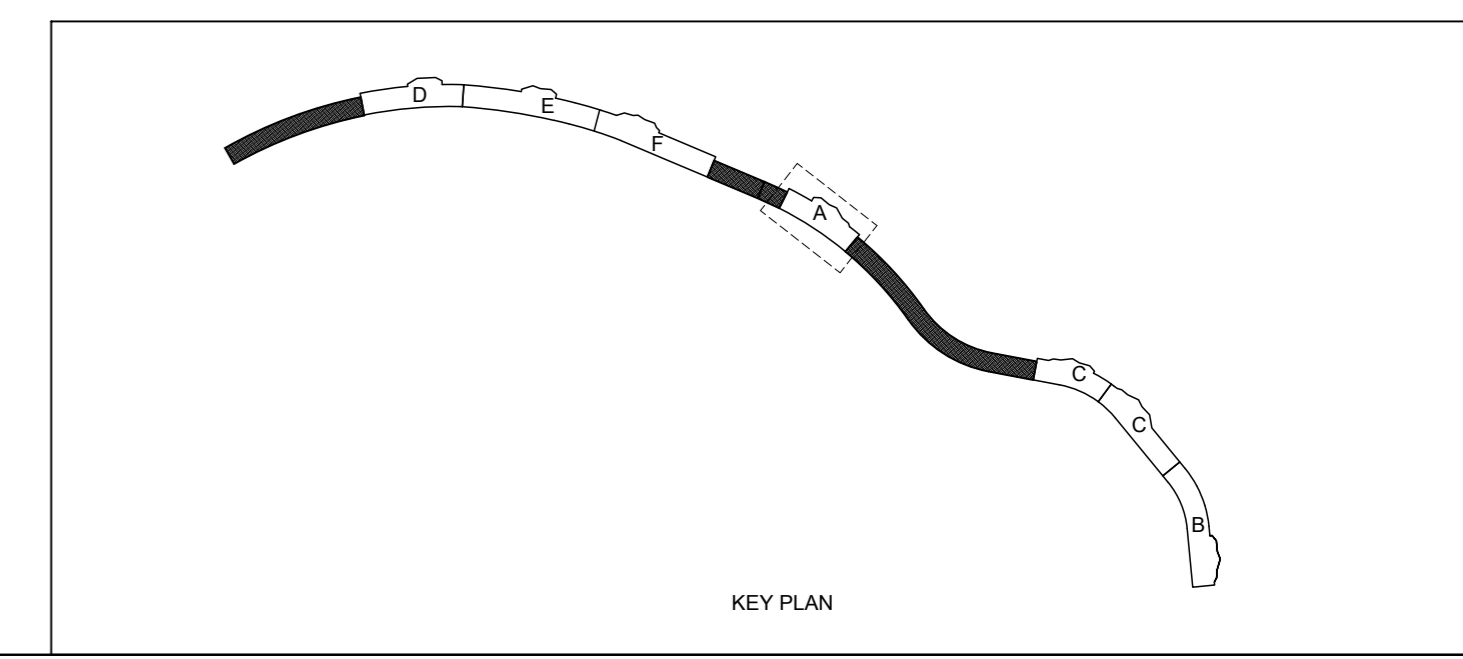
ISSUE	DATE	AMENDMENT	CHECKED	ISSUE	DATE	AMENDMENT	CHECKED

DRAWN
CHECKED
APPROVED
AK

DRAWING TITLE
GROUND FLOOR SLAB PLAN
SHEET NUMBER
S09
ISSUE DATE
NOVEMBER 2019
SCALE
1:200



GROUND FLOOR SLAB TOP & BOTTOM REINFORCEMENT LAYOUT PLAN
 GENERAL BOTTOM & TOP MESH (Ø14mm/20cm-T&B) BOTH WAYS FOR SLAB THICK. + ADDITIONAL REINFORCEMENT AS NOTED ON PLAN



KHAMMASH ARCHITECTS

P.O. Box 51474, Amman - 11192, Jordan. Tel: +962 6 5655134. Fax: +962 6 5622386. Email: info@khammash.com

CLIENT
00000000000

PROJECT
ADDRESS
0000000, JORDAN

STATUS
TENDER
Copyright 2019 - Khammash Architects

NOTES
THIS DRAWING IS AND AT ALL TIMES REMAINS THE EXCLUSIVE PROPERTY OF KHAMMASH ARCHITECTS. ALL MEASUREMENTS MUST BE CHECKED BY THE CONTRACTOR ON SITE BEFORE THE COMMENCEMENT OF ANY WORKS.

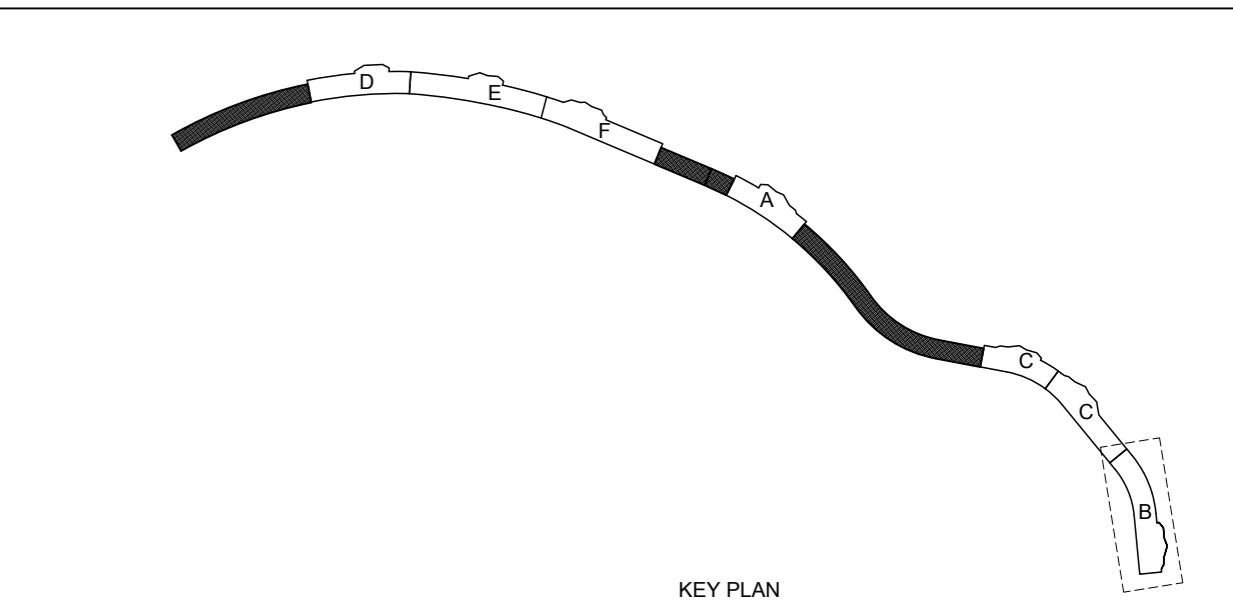
ISSUE	DATE	AMENDMENT	CHECKED	ISSUE	DATE	AMENDMENT	CHECKED

DRAWN
CHECKED
APPROVED
AK

DRAWING TITLE
GROUND FLOOR SLAB PLAN
SHEET NUMBER
S09-A
ISSUE
DATE
NOVEMBER 2019



GROUND FLOOR SLAB TOP & BOTTOM REINFORCEMENT LAYOUT PLAN
 GENERAL BOTTOM & TOP MESH ($\phi 14 @ 20\text{cm-T\&B}$) BOTH WAYS FOR SLAB THICK. + ADDITIONAL REINFORCEMENT AS NOTED ON PLAN



KHAMMASH ARCHITECTS
 P.O. Box 51474, Amman - 11192, Jordan. Tel: +962 6 5655134. Fax: +962 6 5222386
 E-mail: info@khammash.com

CLIENT: 00000000000
 PROJECT: 0000000, JORDAN
 ADDRESS: 0000000, JORDAN

STATUS: TENDER
 Copyright 2019 - Khammash Architects
 THIS DRAWING IS AND AT ALL TIMES REMAINS THE EXCLUSIVE PROPERTY OF KHAMMASH ARCHITECTS. ALL MEASUREMENTS MUST BE CHECKED BY THE CONTRACTOR ON SITE BEFORE THE COMMENCEMENT OF ANY WORKS.

NOTES

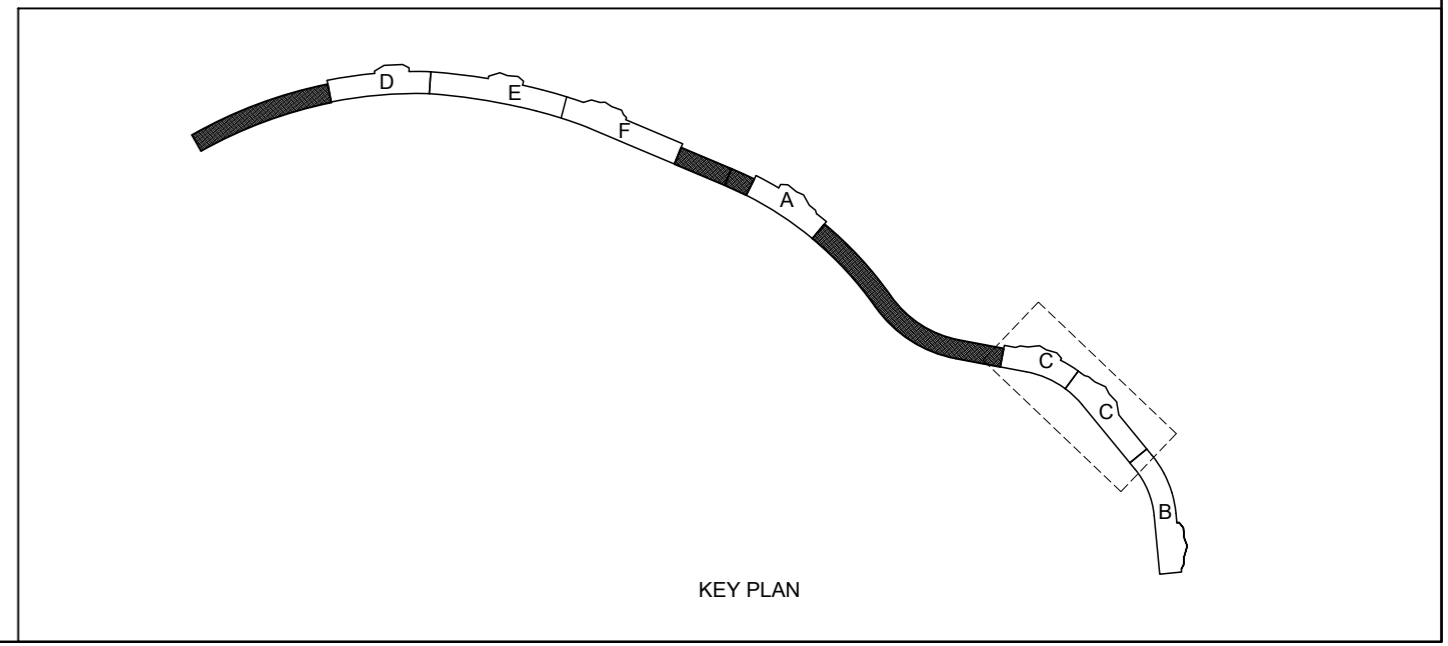
ISSUE	DATE	AMENDMENT	CHECKED	ISSUE	DATE	AMENDMENT	CHECKED

DRAWN: NORTH
 CHECKED: APPROVED
 SCALE: 1:100
 APPROVED: AK

DRAWING TITLE: GROUND FLOOR SLAB PLAN
 SHEET NUMBER: S09-B
 ISSUE DATE: NOVEMBER 2019



GROUND FLOOR SLAB TOP & BOTTOM REINFORCEMENT LAYOUT PLAN
 GENERAL BOTTOM & TOP MESH (Ø14mm/20cm-T&B) BOTH WAYS) FOR SLAB THICK. + ADDITIONAL REINFORCEMENT AS NOTED ON PLAN



KHAMMASH ARCHITECTS

CLIENT: 0000000000
 PROJECT: 000000, JORDAN

STATUS: TENDER
 TENDER: Copyright 2019 - Khammash Architects.

NOTES:

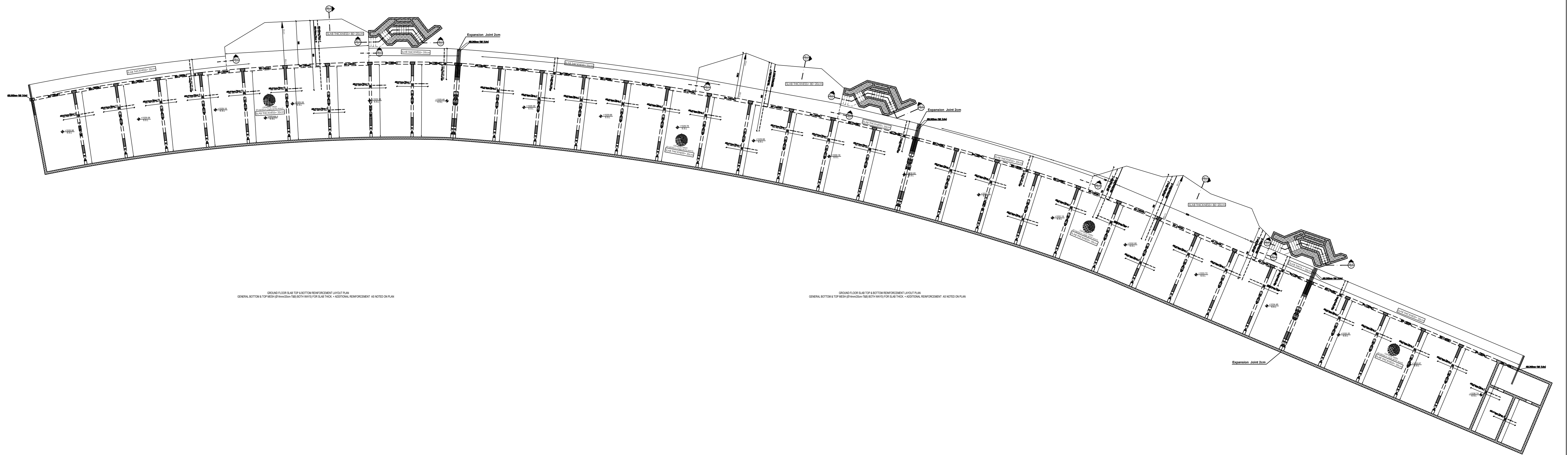
ISSUE	DATE	AMENDMENT	CHECKED	ISSUE	DATE	AMENDMENT	CHECKED

DRAWN: [Signature]
 CHECKED: AK
 NORTH: [North Arrow]
 SCALE: 1:100
 DRAWING TITLE: GROUND FLOOR SLAB PLAN
 SHEET NUMBER: S09-C
 ISSUE DATE: NOVEMBER 2019

P.O. Box 51474, Amman - 11192, Jordan. Tel: +962 6 5655134, Fax: +962 6 5622386
 Email: info@khammash.com

P.O. Box 7003, Amman 11115, Jordan | T: +962 6 5059555 | F: +962 6 4650539 | W: www.khammash.com

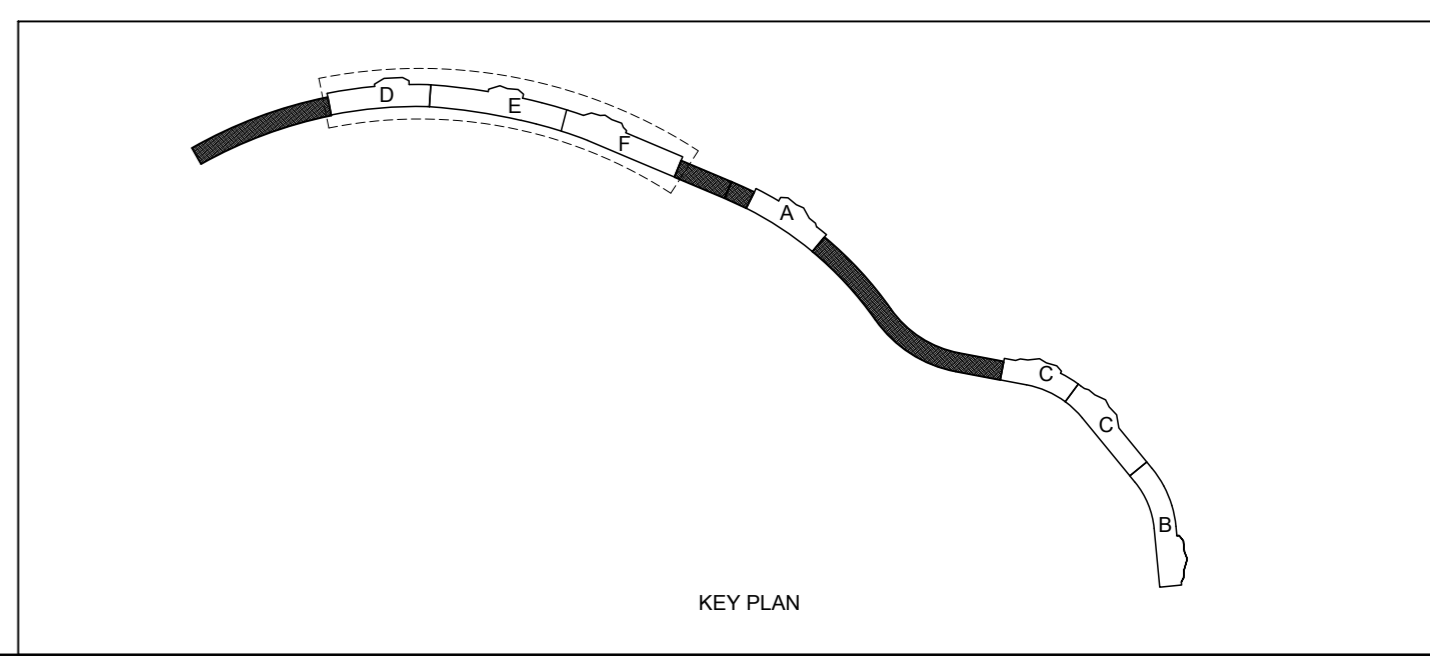
THIS DRAWING IS AND ALL THE INFORMATION CONTAINED HEREIN IS THE EXCLUSIVE PROPERTY OF KHAMMASH ARCHITECTS. ALL MEASUREMENTS MUST BE CHECKED BY THE CONTRACTOR ON SITE BEFORE THE COMMENCEMENT OF ANY WORKS.



GROUND FLOOR SLAB TOP & BOTTOM REINFORCEMENT LAYOUT PLAN
GENERAL BOTTOM & TOP REINFORCEMENT RELATIVE TO SLAB THICKNESS - ADDITIONAL REINFORCEMENT AS NOTED ON PLAN

GROUND FLOOR SLAB TOP & BOTTOM REINFORCEMENT LAYOUT PLAN
GENERAL BOTTOM & TOP REINFORCEMENT RELATIVE TO SLAB THICKNESS - ADDITIONAL REINFORCEMENT AS NOTED ON PLAN

GROUND FLOOR SLAB TOP & BOTTOM REINFORCEMENT LAYOUT PLAN
GENERAL BOTTOM & TOP REINFORCEMENT RELATIVE TO SLAB THICKNESS - ADDITIONAL REINFORCEMENT AS NOTED ON PLAN



KEY PLAN

KHAMMASH ARCHITECTS

P.O. Box 521474, Amman - 11192, Jordan. Tel: +962 6 5655134, Fax: +962 6 5622386
E-mail: info@khammash.com

CLIENT
0000000000

PROJECT
ADDRESS
0000000, JORDAN

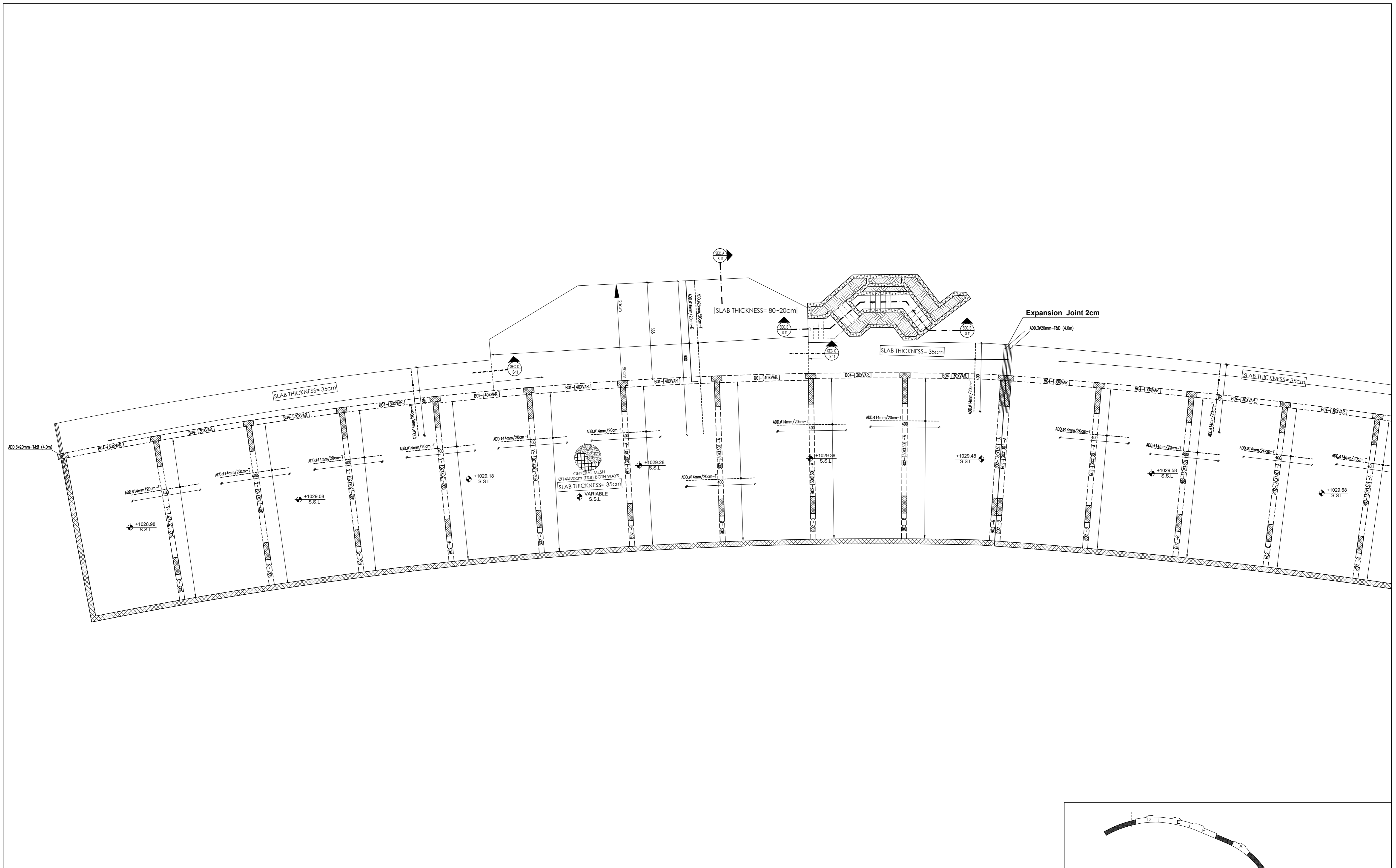
STATUS
TENDER
Copyright 2019 - Khammash Architects
THIS DRAWING IS AND AT ALL TIMES REMAINS THE EXCLUSIVE PROPERTY OF KHAMMASH ARCHITECTS. ALL MEASUREMENTS MUST BE CHECKED BY THE CONTRACTOR ON SITE BEFORE THE COMMENCEMENT OF ANY WORKS.

NOTES

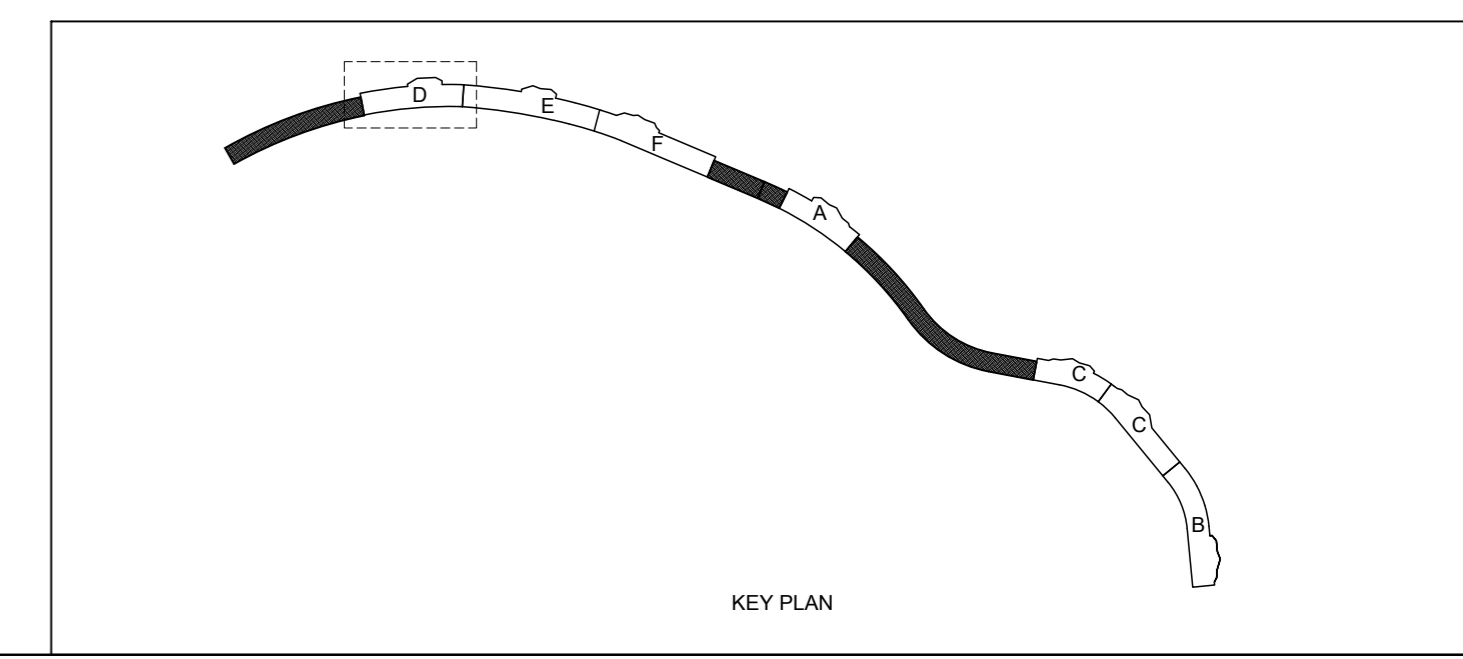
ISSUE	DATE	AMENDMENT	CHECKED	ISSUE	DATE	AMENDMENT	CHECKED

DRAWN: [Signature]
CHECKED: [Signature]
APPROVED: [Signature]
NORTH: [North Arrow]
SCALE: 1:200
DRAWN BY: AK

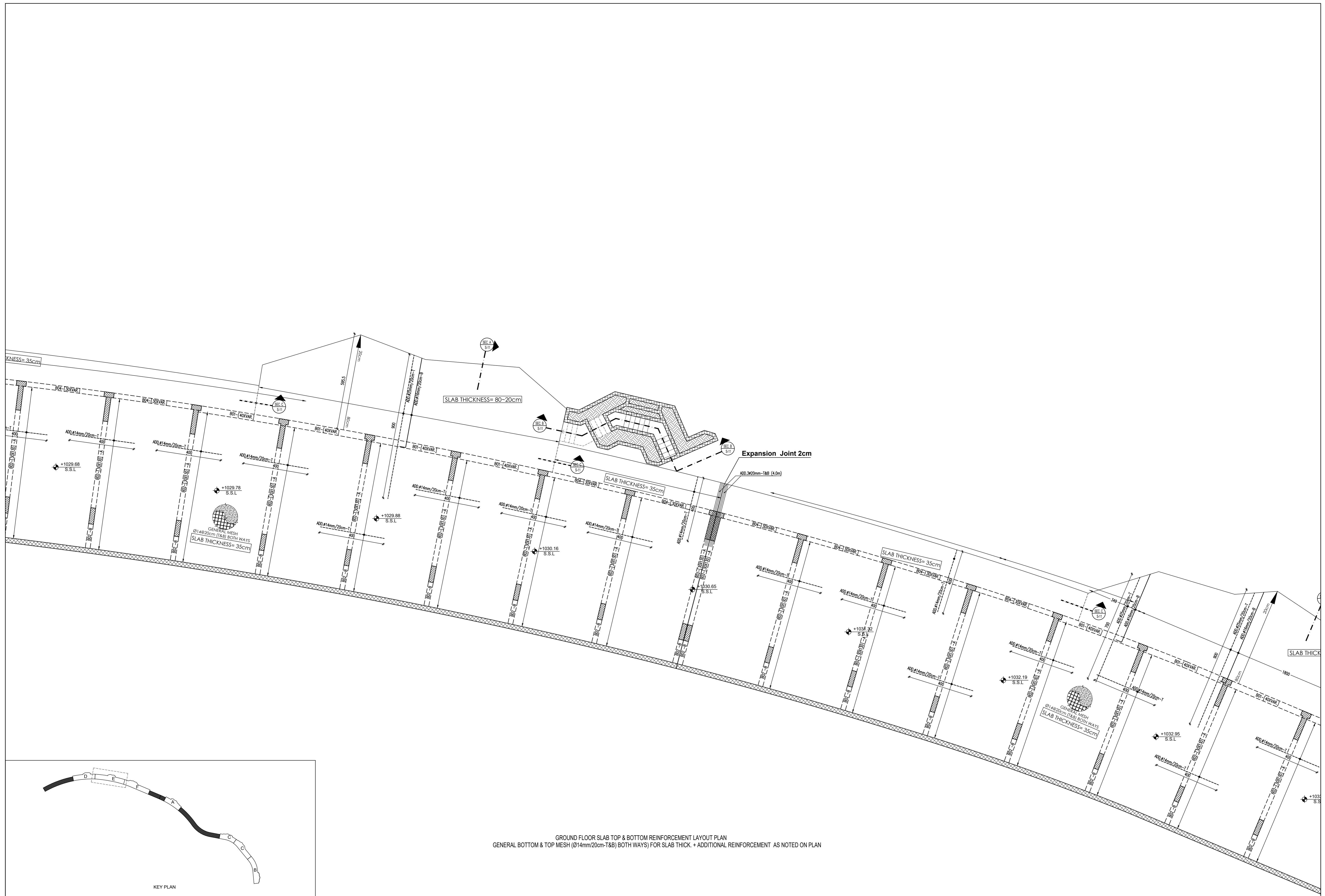
DRAWING TITLE
GROUND FLOOR SLAB PLAN
SHEET NUMBER: S10
ISSUE: [] DATE: []
NOVEMBER 2019



GROUND FLOOR SLAB TOP & BOTTOM REINFORCEMENT LAYOUT PLAN
 GENERAL BOTTOM & TOP MESH (Ø14mm/20cm-T&B) BOTH WAYS FOR SLAB THICK. + ADDITIONAL REINFORCEMENT AS NOTED ON PLAN



KHAMMASH ARCHITECTS <small>P.O. Box 51474, Amman - 11192, Jordan. Tel: +962 6 5655134. Fax: +962 6 5622386. Email: info@khammash.com</small>	CLIENT 00000000000	PROJECT ADDRESS 0000000, JORDAN	STATUS TENDER Copyright 2019 - Khammash Architects. <small>THIS DRAWING IS AND AT ALL TIMES REMAINS THE EXCLUSIVE PROPERTY OF KHAMMASH ARCHITECTS. ALL MEASUREMENTS MUST BE CHECKED BY THE CONTRACTOR ON SITE BEFORE THE COMMENCEMENT OF ANY WORKS.</small>	NOTES ISSUE DATE AMENDMENT CHECKED APPROVED - AK	DRAWN NORTH SCALE DRAWING TITLE - - 1:100 GROUND FLOOR SLAB PLAN CHECKED APPROVED SHEET NUMBER ISSUE DATE - AK S10-D NOVEMBER 2019
--	-----------------------	---------------------------------------	---	---	---



GROUND FLOOR SLAB TOP & BOTTOM REINFORCEMENT LAYOUT PLAN
 GENERAL BOTTOM & TOP MESH (Ø14mm/20cm-T&B) BOTH WAYS) FOR SLAB THICK. + ADDITIONAL REINFORCEMENT AS NOTED ON PLAN

KHAMMASH ARCHITECTS

P.O. Box 51474, Amman - 11192, Jordan. Tel: +962 6 5659134. Fax: +962 6 5222386
 E-mail: info@khammash.com

CLIENT

0000000000

PROJECT

0000000, JORDAN

STATUS

TENDER

Copyright 2019 - Khammash Architects.

THIS DRAWING IS AND AT ALL TIMES REMAINS THE EXCLUSIVE PROPERTY OF KHAMMASH ARCHITECTS. ALL MEASUREMENTS MUST BE CHECKED BY THE CONTRACTOR ON SITE BEFORE THE COMMENCEMENT OF ANY WORKS.

NOTES

ISSUE	DATE	AMENDMENT

CHECKED	ISSUE	DATE	AMENDMENT

DRAWN

NORTH

AK

SCALE

1:100

DRAWING TITLE

GROUND FLOOR SLAB PLAN

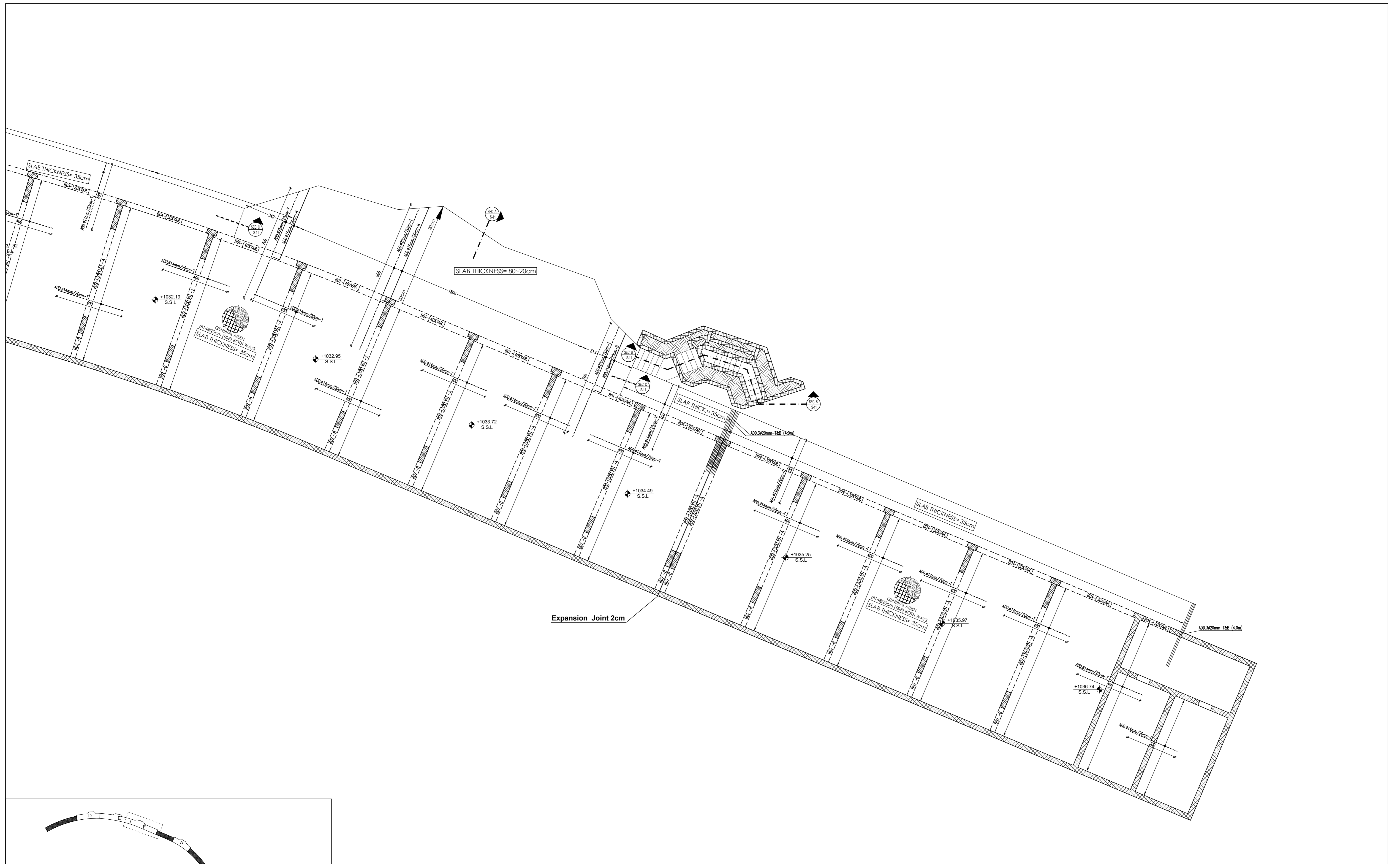
SHEET NUMBER

S10-E

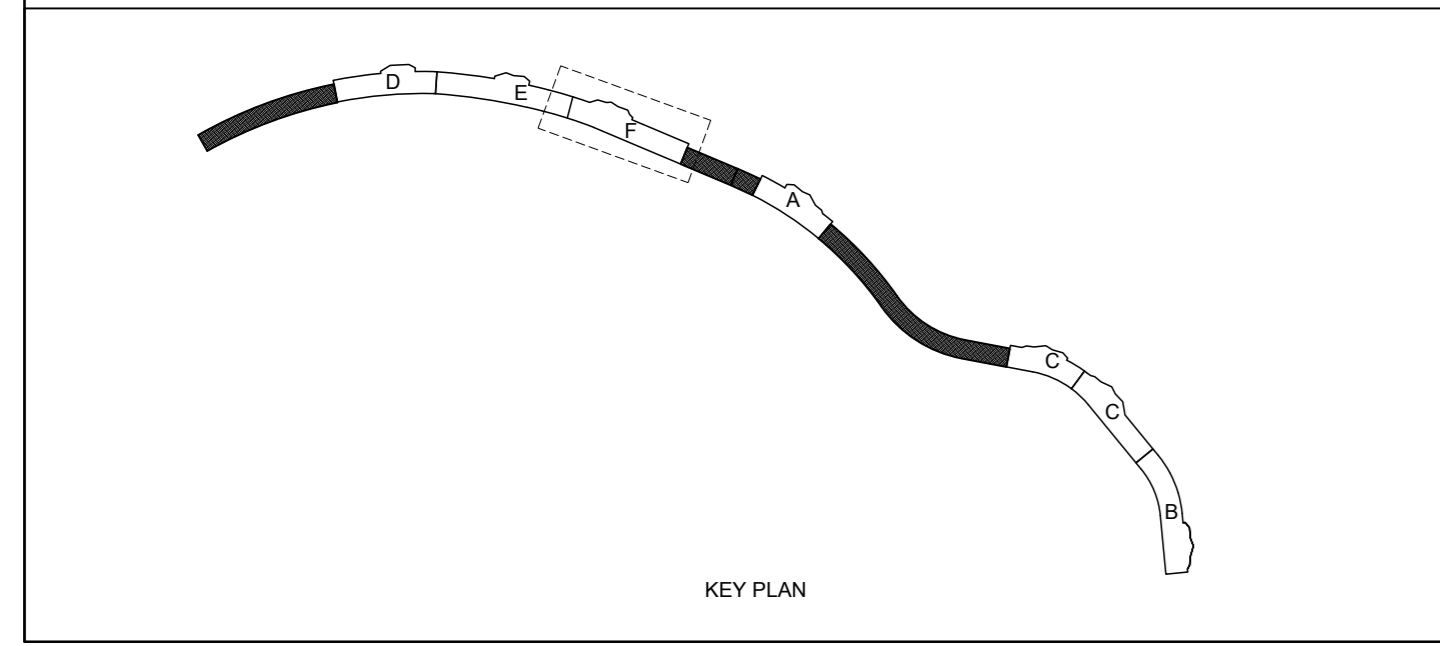
ISSUE

NOVEMBER 2019

DATE



GROUND FLOOR SLAB TOP & BOTTOM REINFORCEMENT LAYOUT PLAN
 GENERAL BOTTOM & TOP MESH (Ø14mm/20cm-T&B) BOTH WAYS FOR SLAB THICK. + ADDITIONAL REINFORCEMENT AS NOTED ON PLAN



KHAMMASH ARCHITECTS

P.O. Box 51474, Amman - 11192, Jordan, Tel: +962 6 5655134, Fax: +962 6 5222386
 E-mail: info@khammash.com

CLIENT
 00000000000

PROJECT
 ADDRESS
 0000000, JORDAN

STATUS
 TENDER

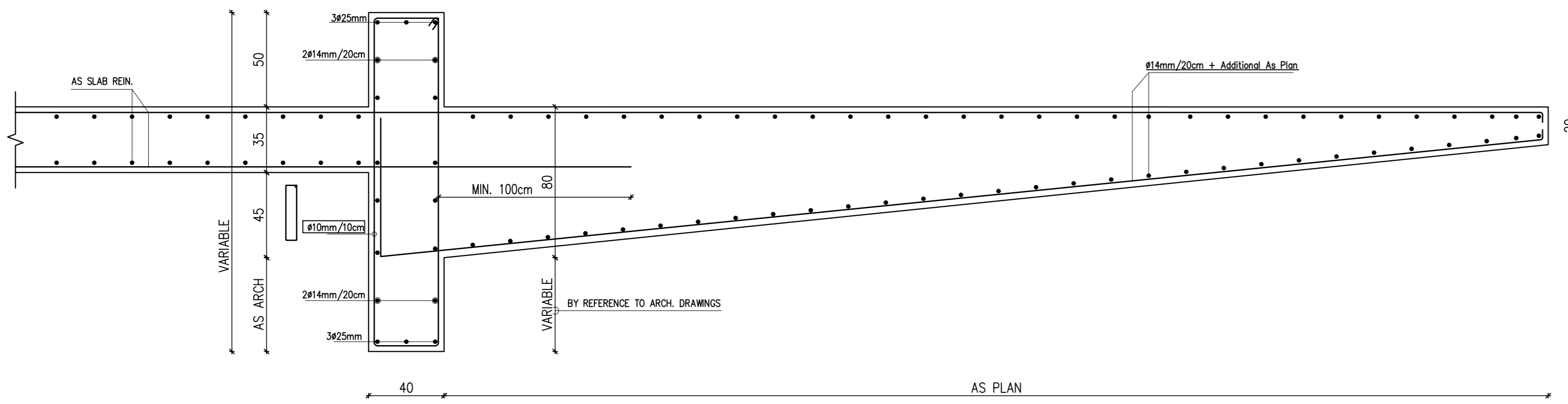
Copyright 2019 - Khammash Architects.
 THIS DRAWING IS AND AT ALL TIMES REMAINS THE EXCLUSIVE PROPERTY OF KHAMMASH ARCHITECTS. ALL MEASUREMENTS MUST BE CHECKED BY THE CONTRACTOR ON SITE BEFORE THE COMMENCEMENT OF ANY WORKS.

NOTES

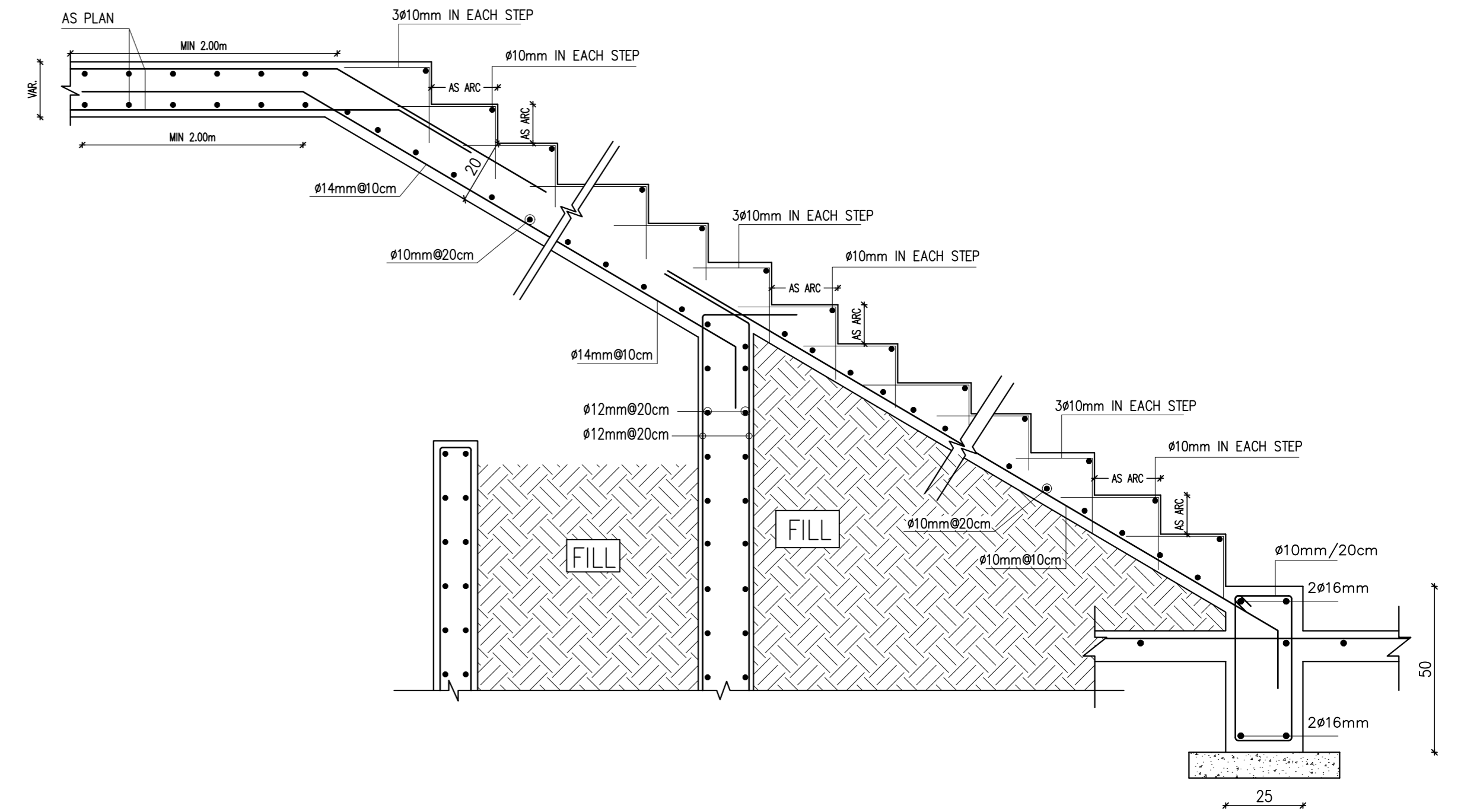
ISSUE	DATE	AMENDMENT	CHECKED	ISSUE	DATE	AMENDMENT	CHECKED

DRAWN	NORTH	SCALE
CHECKED	APPROVED	1:100
	AK	

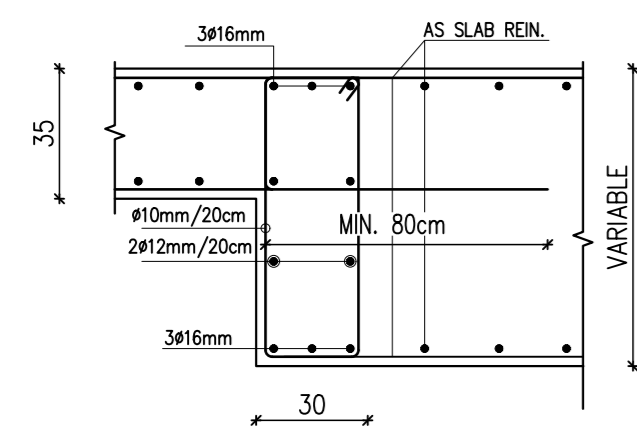
DRAWING TITLE	GROUND FLOOR SLAB PLAN
SHEET NUMBER	S10-F
ISSUE	NOVEMBER 2019



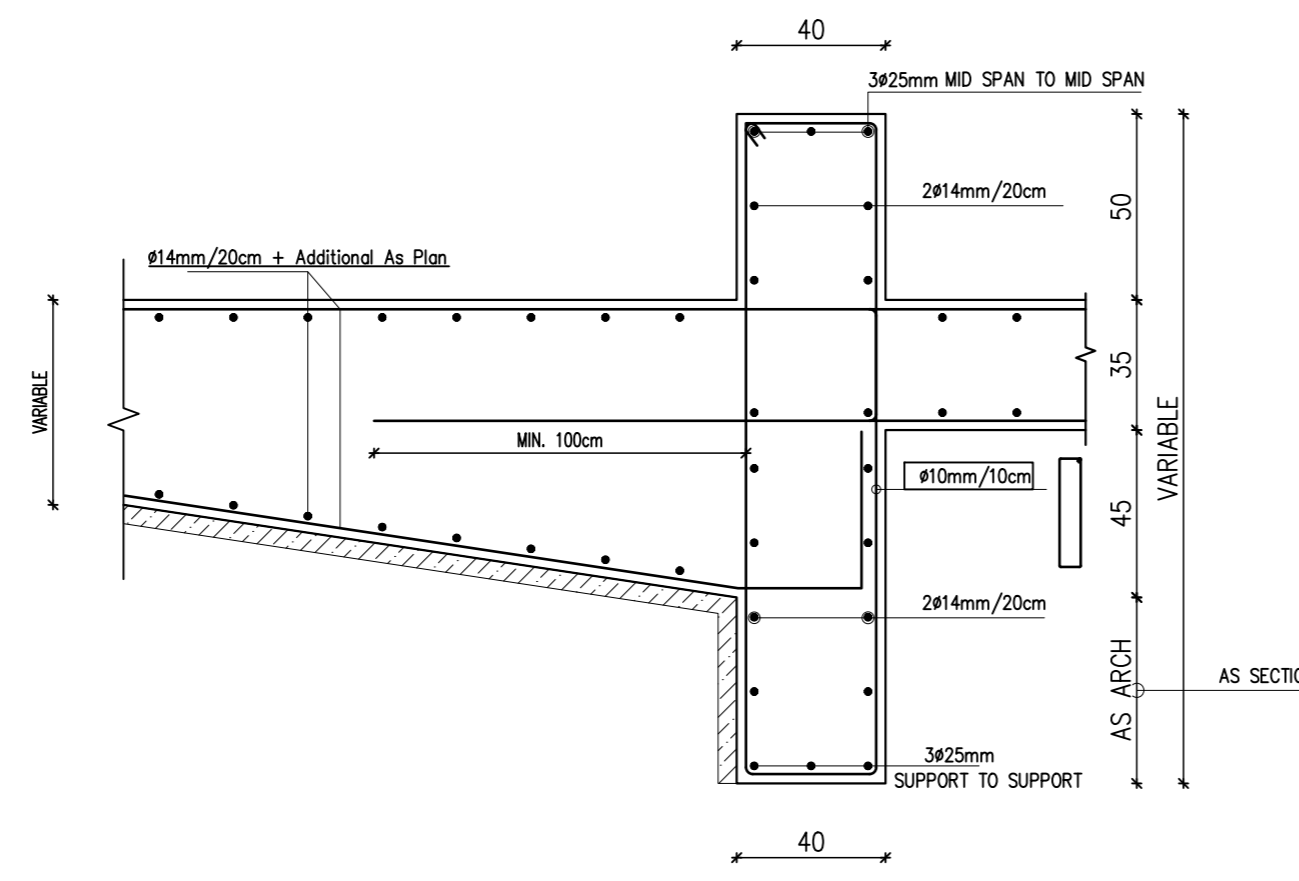
SECTION A-A
SCALE 1:20



SECTION B-B IN STAIR
N.T.S

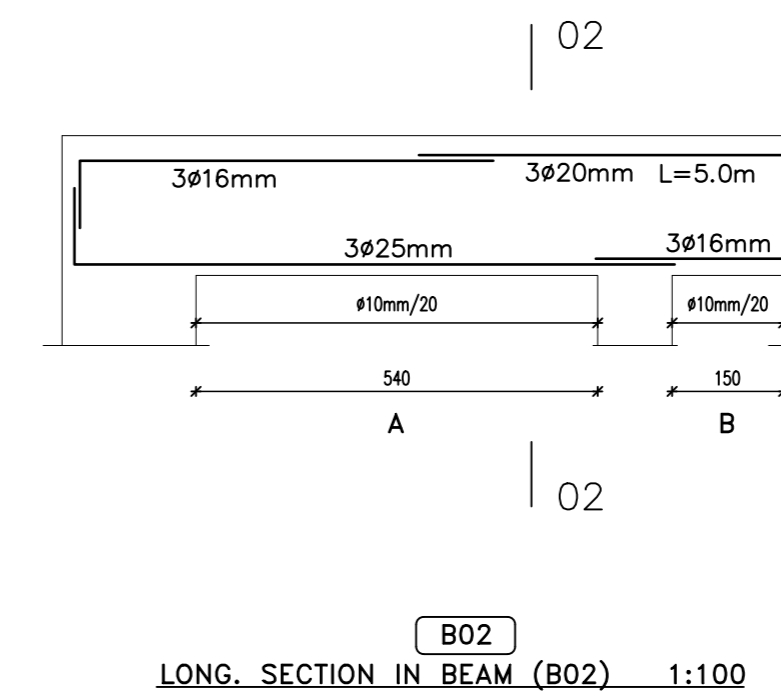


SECTION C-C
SCALE 1:20

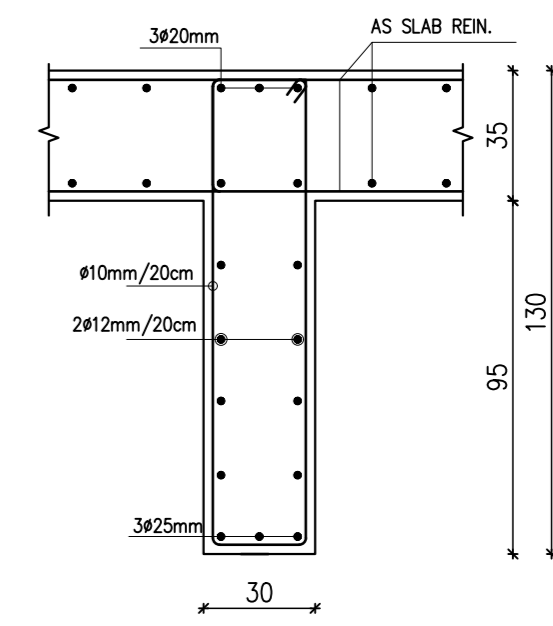


SEC. IN B01
Scale 1:20

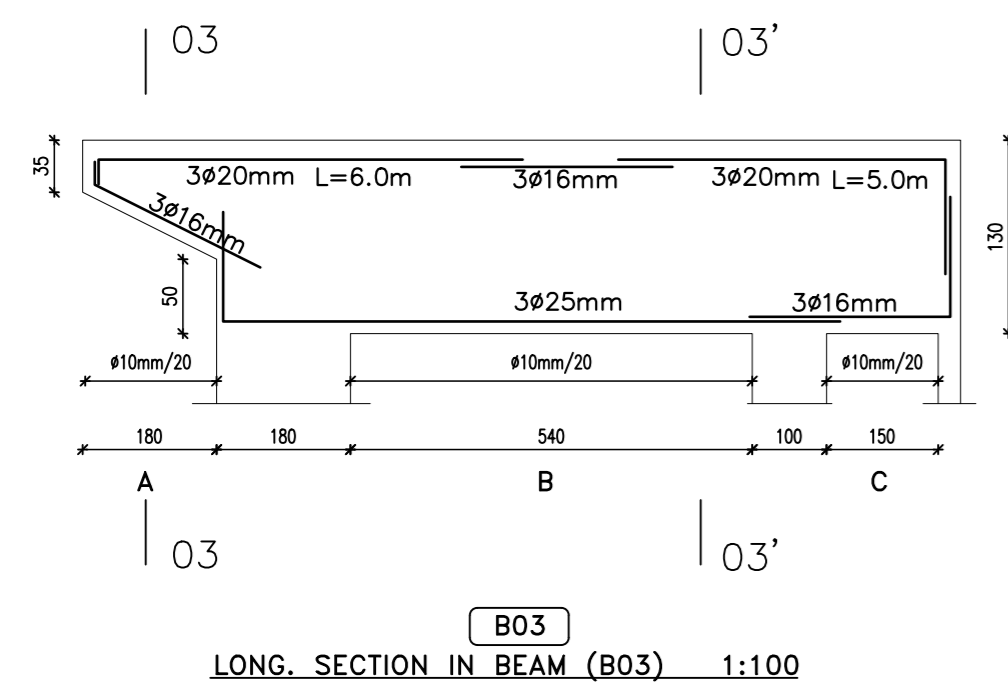
FOR LONG SECTION
SEE PAGE (S-12) & (S-13)



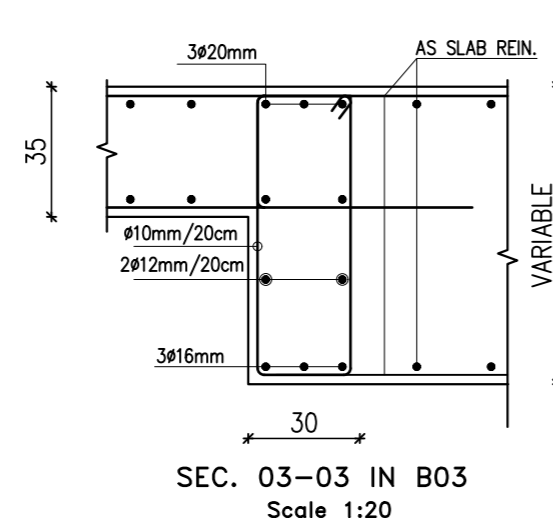
LONG. SECTION IN BEAM (B02)
1:100



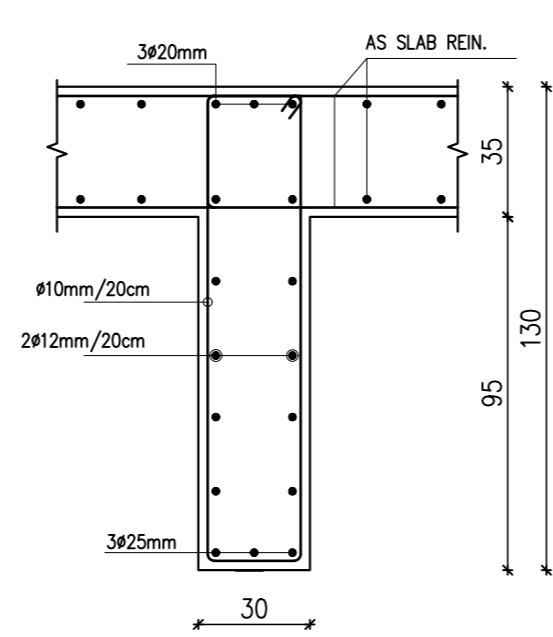
SEC. 02-02 IN B02
Scale 1:20



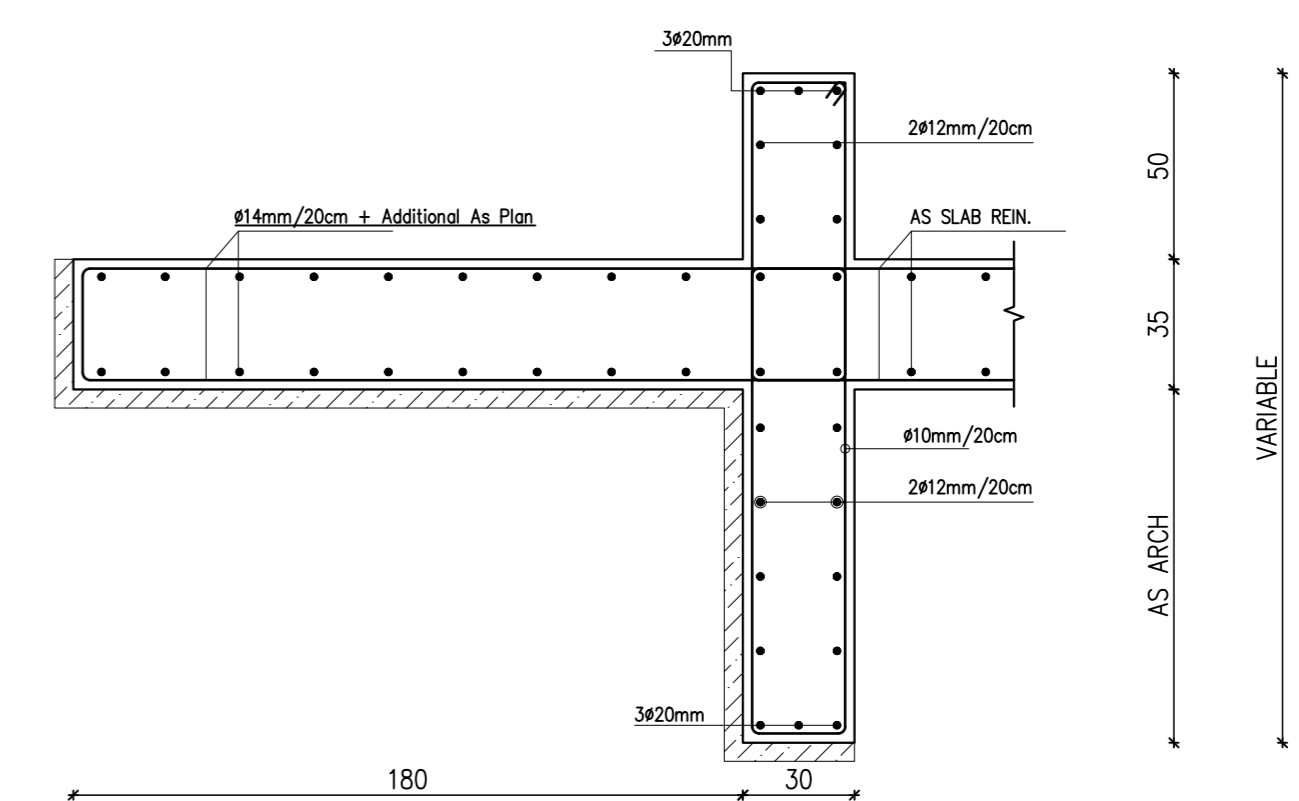
LONG. SECTION IN BEAM (B03)
1:100



SEC. 03-03 IN B03
Scale 1:20

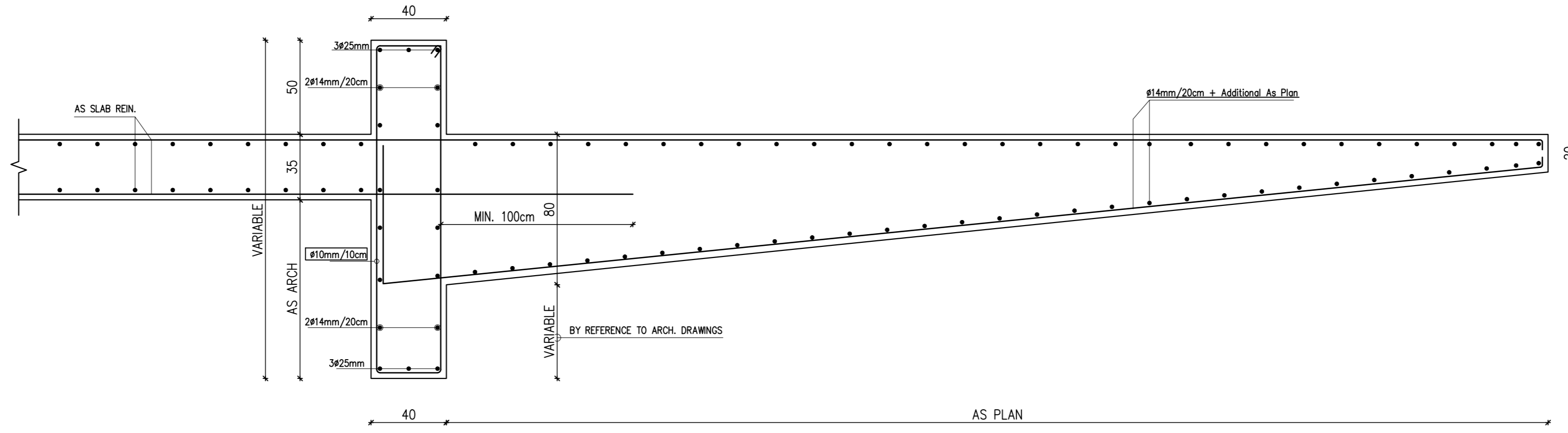


SEC. 03'-03' IN B03
Scale 1:20

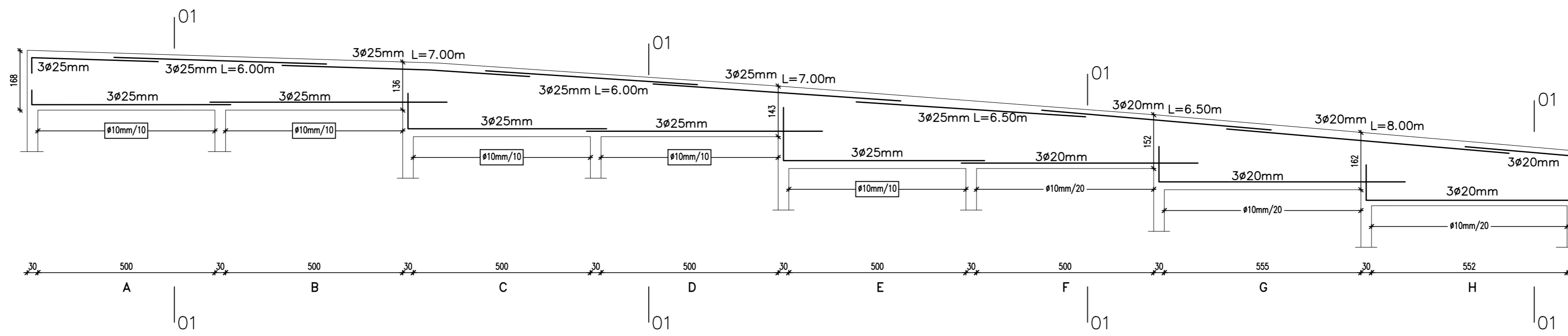


SEC. IN B04
Scale 1:20

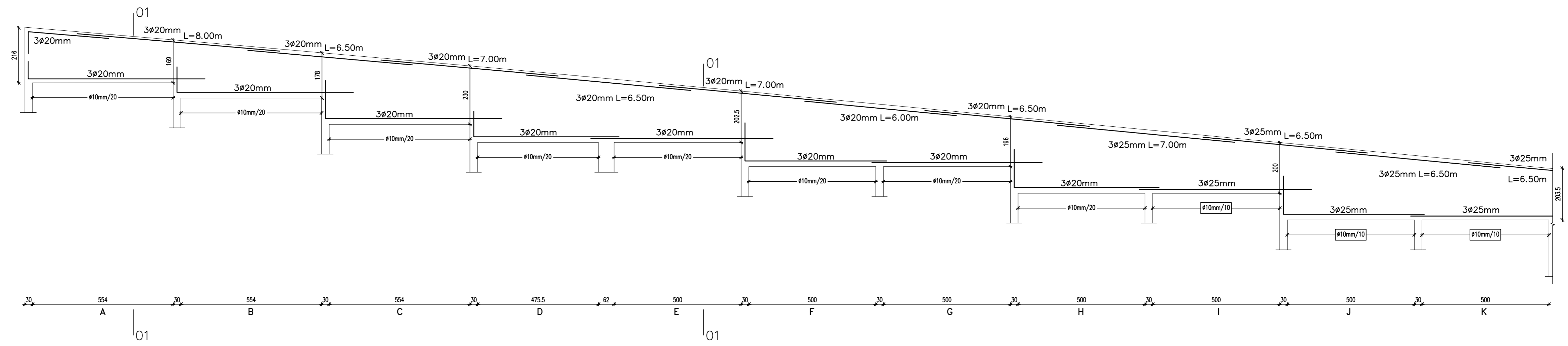
FOR LONG SECTION
SEE PAGE (S-12) & (S-13)



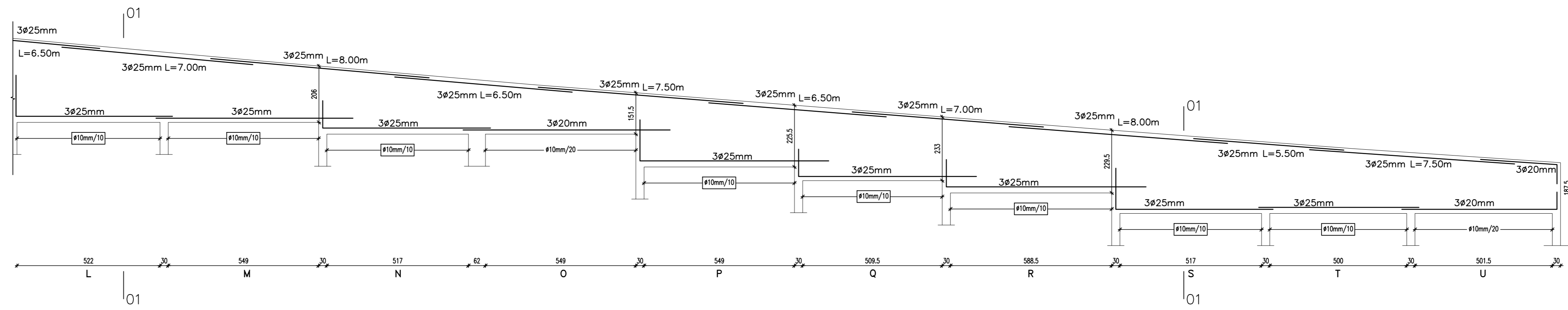
SECTION A'-A'
SCALE 1:20



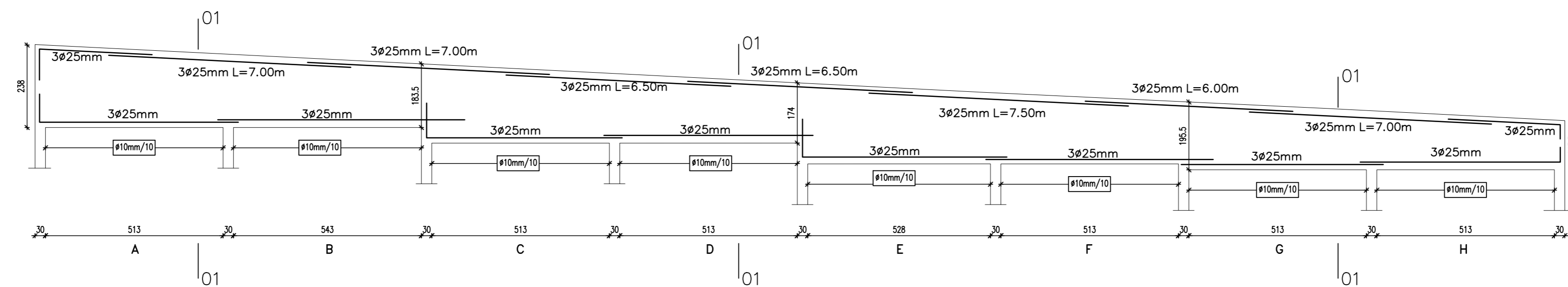
0+020 TO 0+060
(B01 + B04)
LONG. SECTION IN BEAM (B01 & B04) 1:100



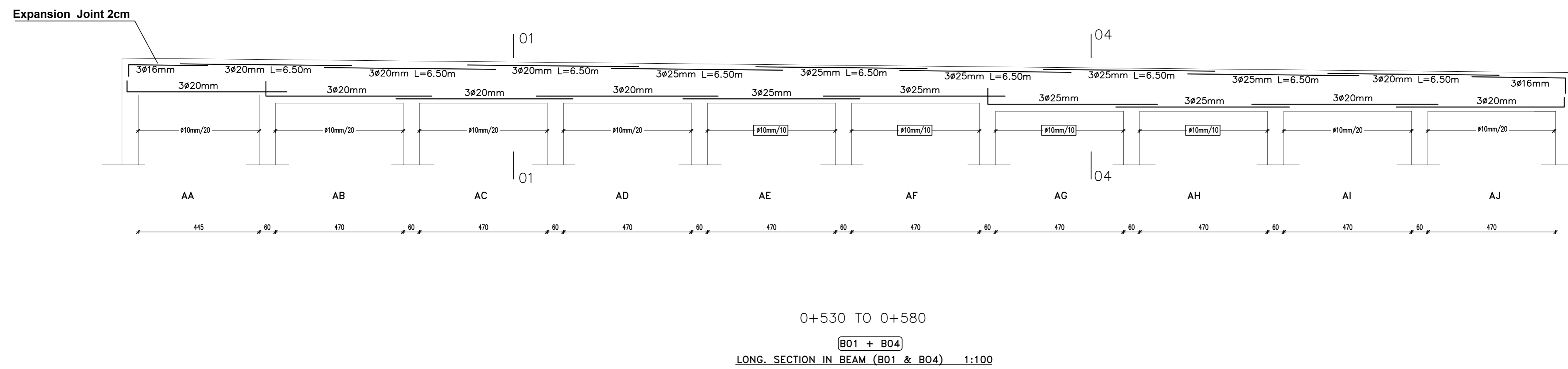
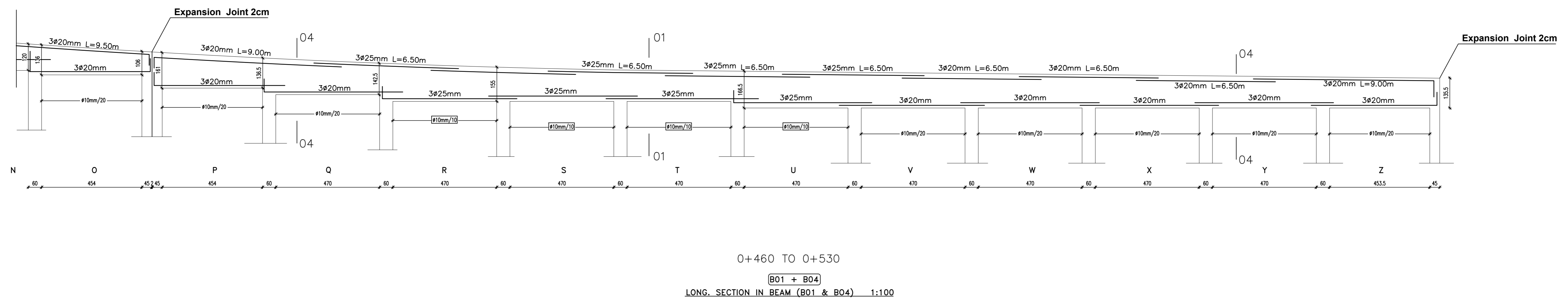
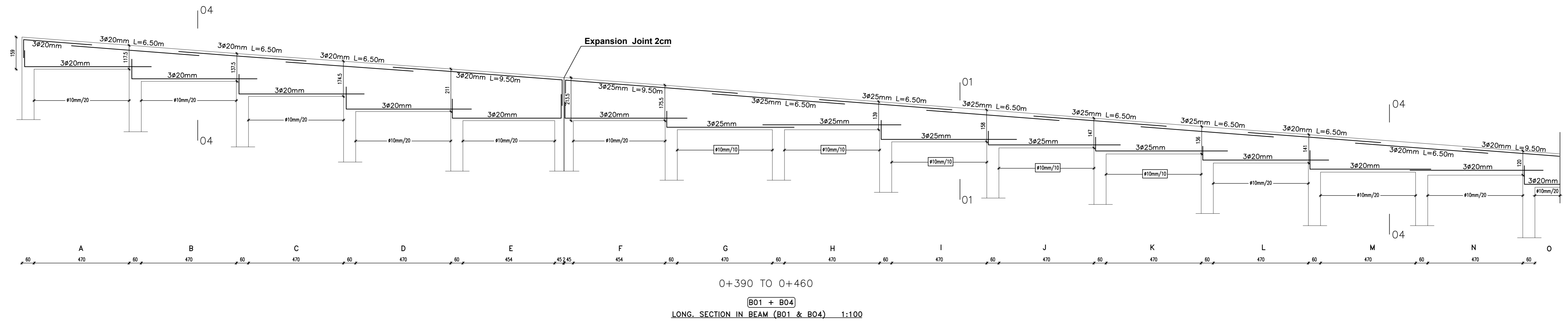
0+060 TO 0+120
 (B01 + B04)
 LONG. SECTION IN BEAM (B01 & B04) 1:100

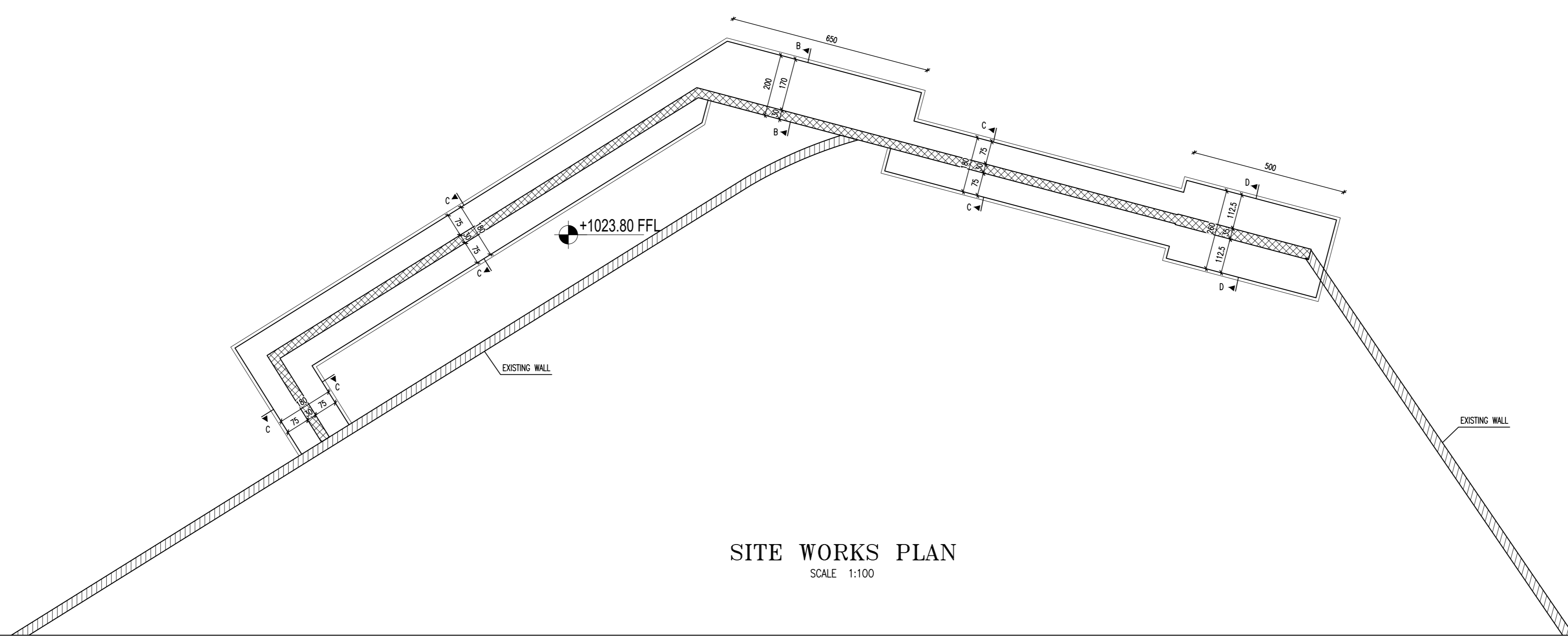
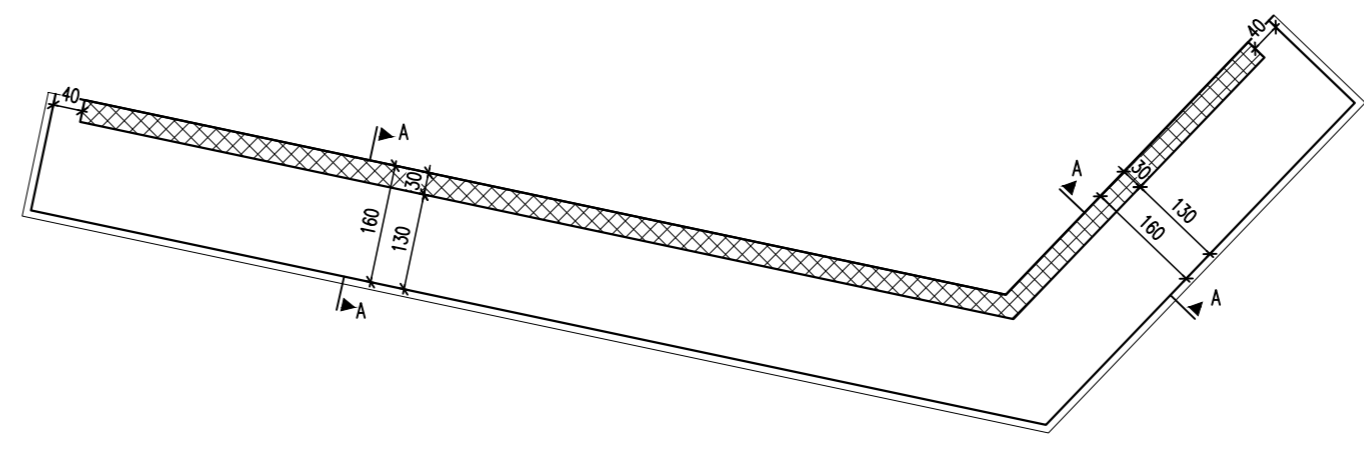


0+120 TO 0+180
 (B01 + B04)
 LONG. SECTION IN BEAM (B01 & B04) 1:100



0+300 TO 0+350
 (B01)
 LONG. SECTION IN BEAM (B01) 1:100





KHAMMASH ARCHITECTS

CLIENT
0000000000

PROJECT
ADDRESS
0000000, JORDAN

STATUS
TENDER
Copyright 2019 - Khammash Architects
THIS DRAWING IS AND AT ALL TIMES REMAINS THE EXCLUSIVE PROPERTY OF KHAMMASH ARCHITECTS. ALL MEASUREMENTS MUST BE CHECKED BY THE CONTRACTOR ON SITE BEFORE THE COMMENCEMENT OF ANY WORKS.

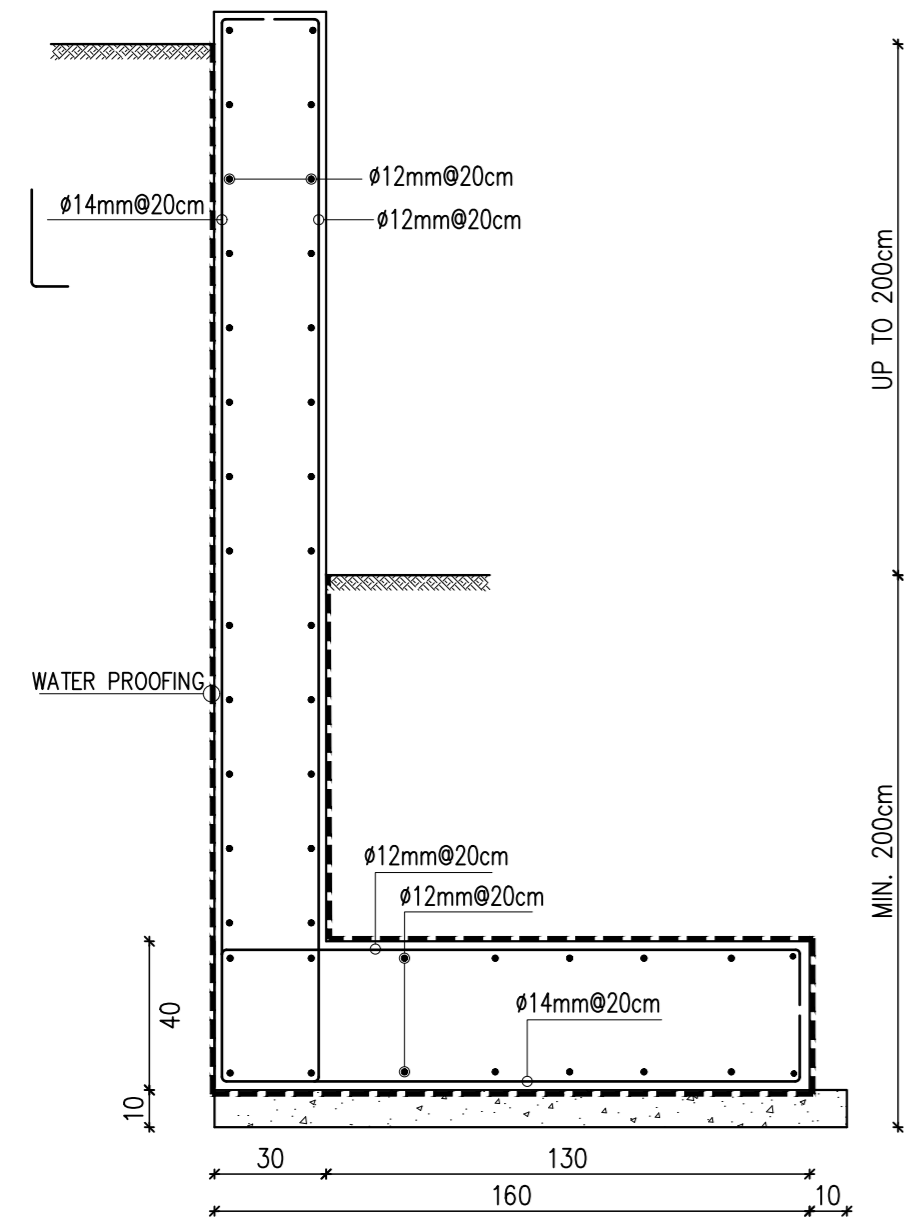
NOTES

ISSUE	DATE	AMENDMENT	CHECKED	ISSUE	DATE	AMENDMENT	CHECKED
-				-			
-				-			

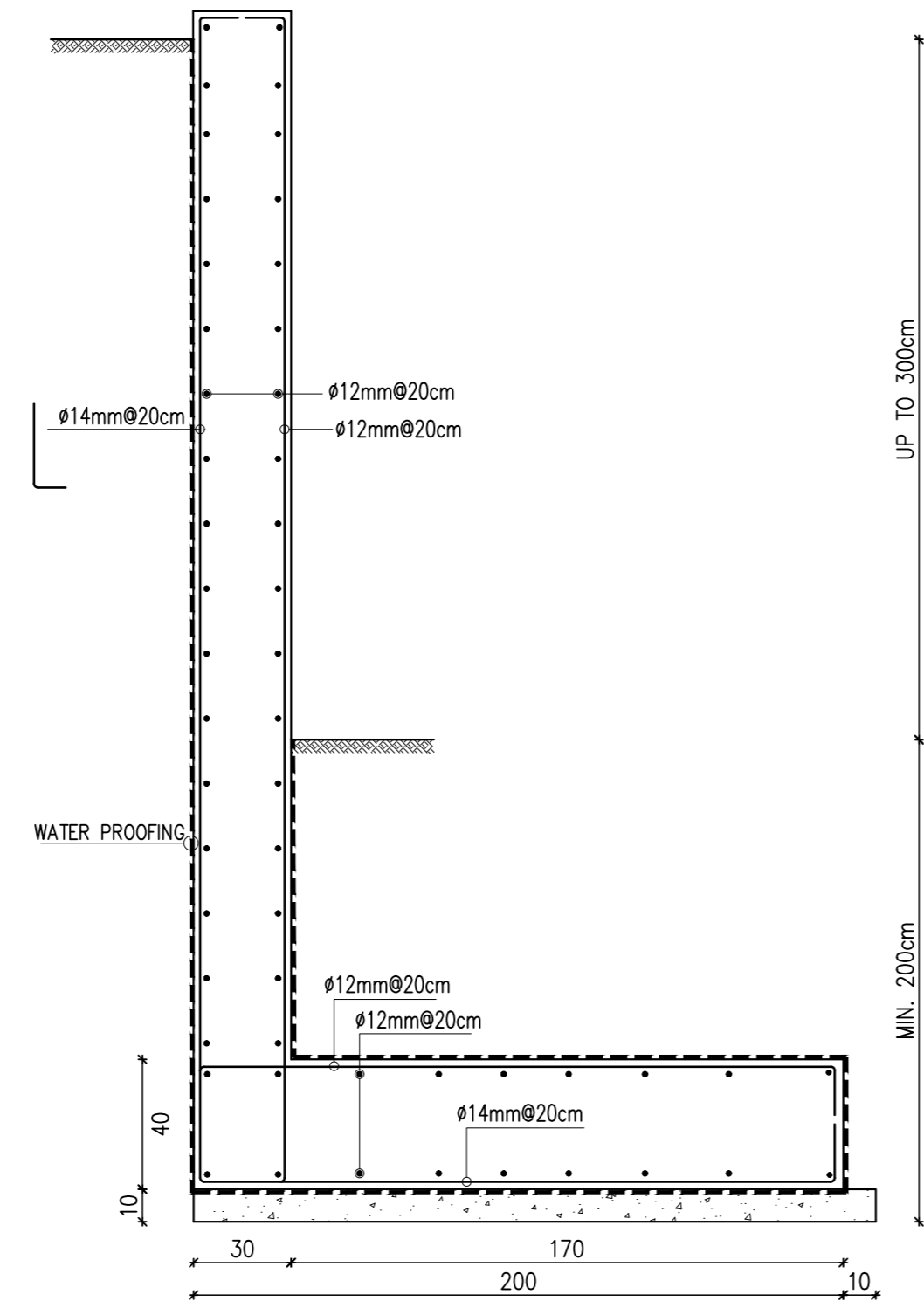
DRAWN
CHECKED
APPROVED
AK

NORTH
SCALE
1:100

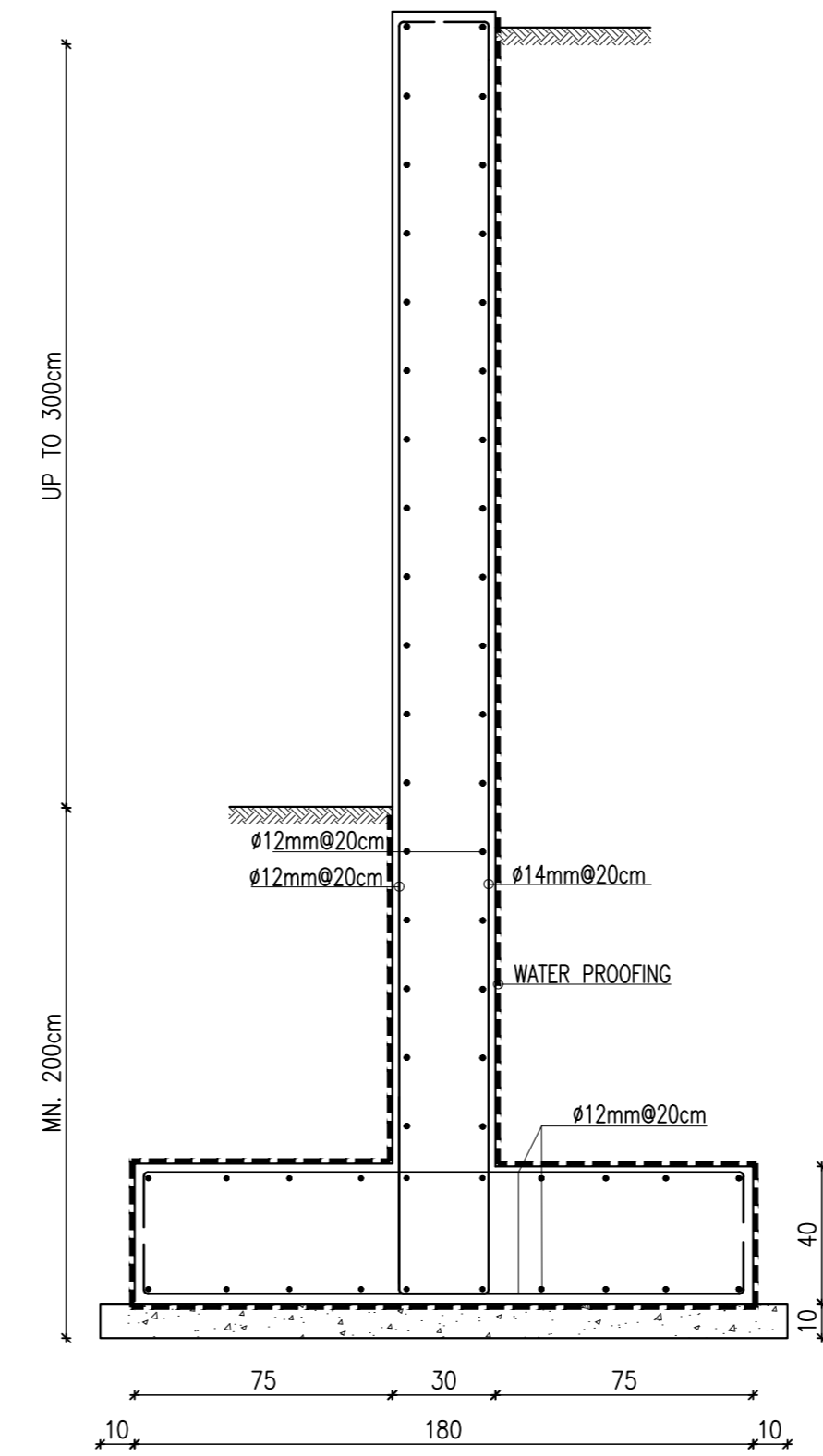
DRAWING TITLE
GENERAL STRUCTURAL NOTES
SHEET NUMBER
S01
ISSUE
DATE
NOVEMBER 2019



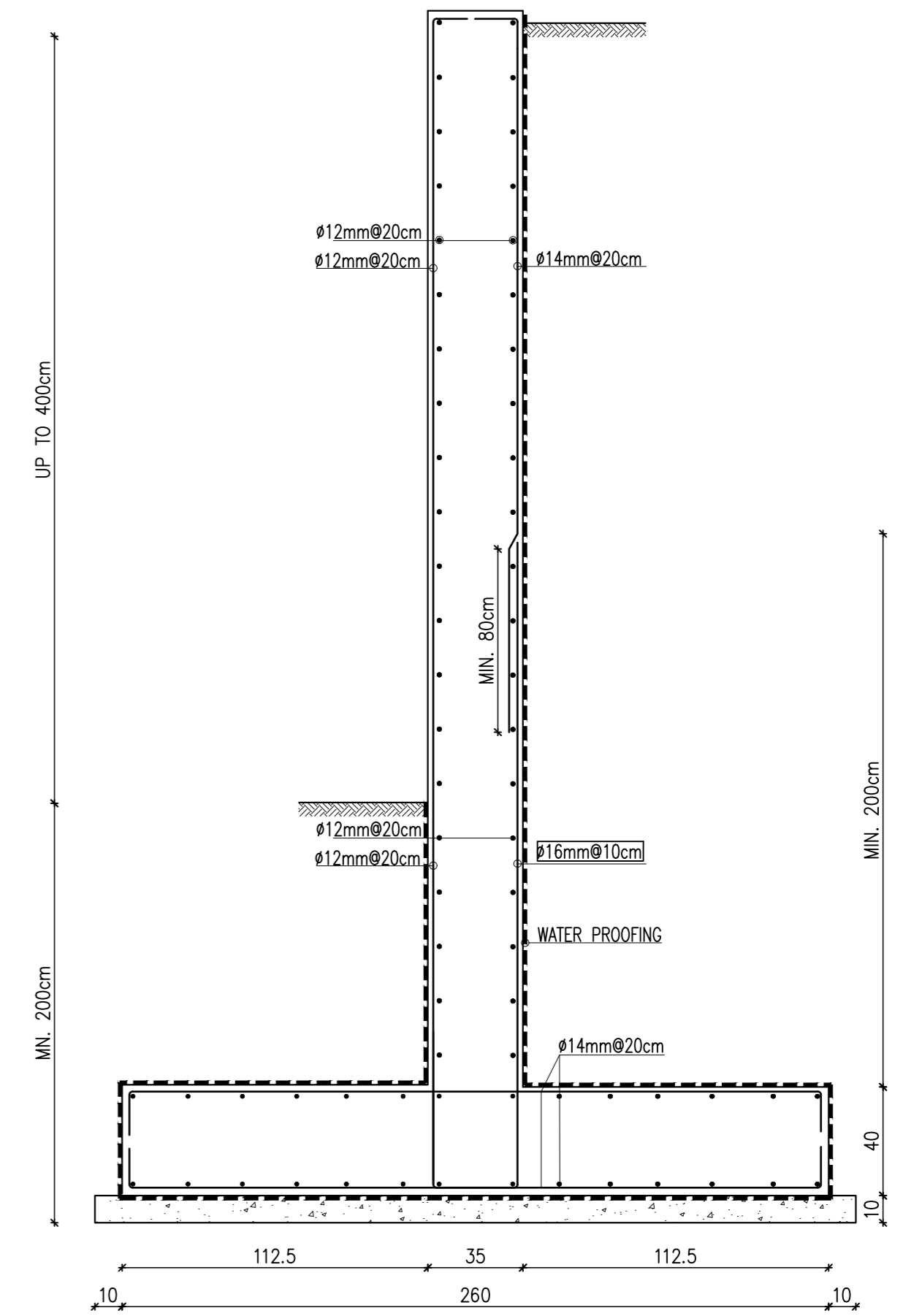
SECTION A-A
SCALE 1:20



SECTION B-B
SCALE 1:20



SECTION C-C
SCALE 1:20



SECTION D-D
SCALE 1:20