

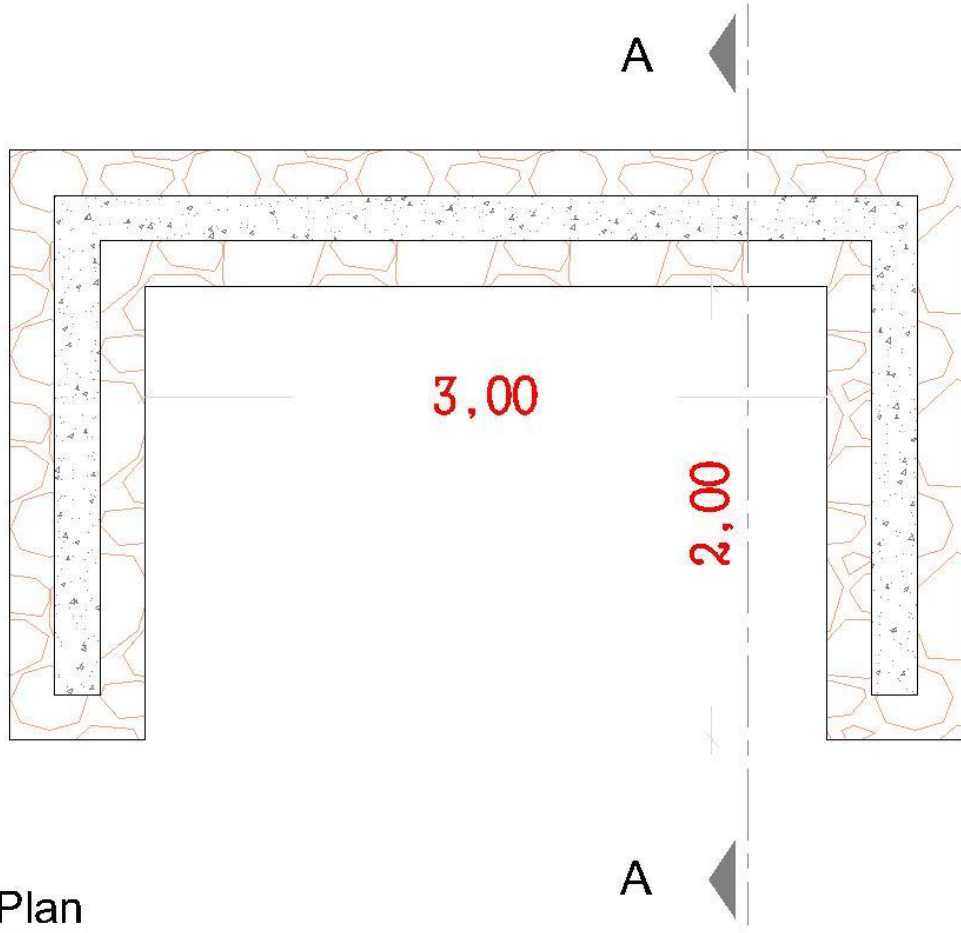
Petra

Petra Development & Tourism Region Authority

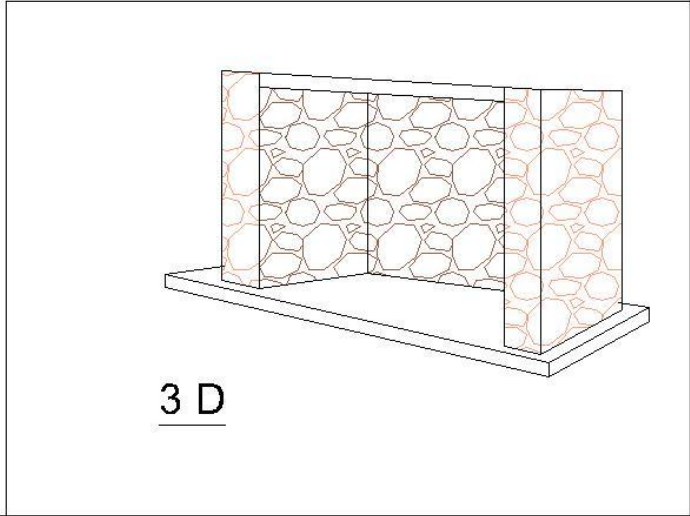
***Petra Development & Tourism
Region Authority***


Waiting Station

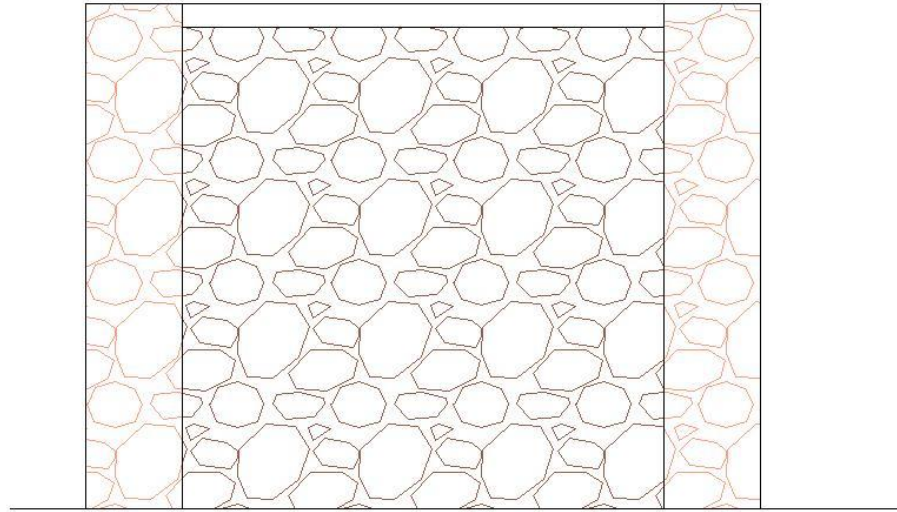
2018



Plan

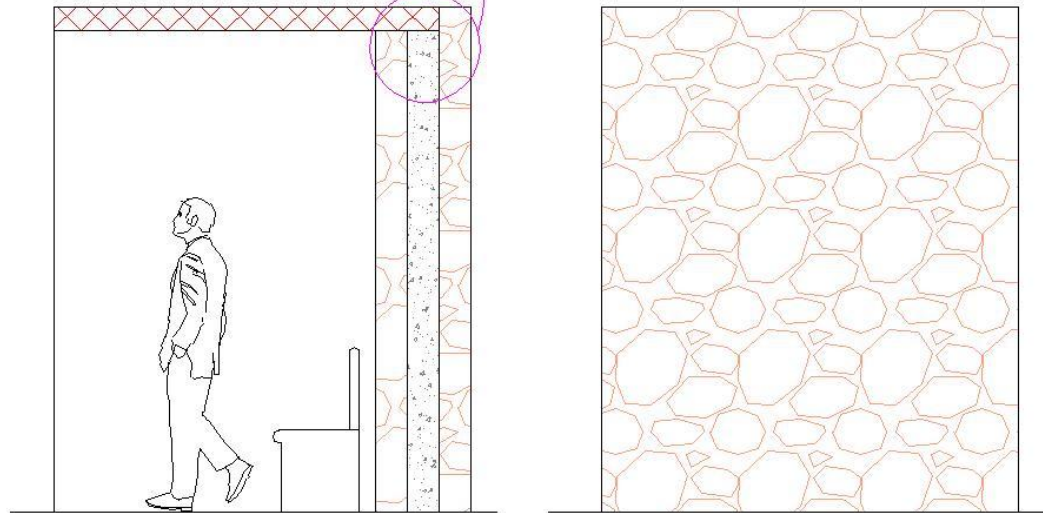


 <p>Petra <small>Universitas Pendidikan Indonesia</small></p>	
<p>Walding Station</p>	
<p><small>ANALISIS VISUAL</small></p>	
<p>Plan & 3D</p>	
<p><small>NO. 110</small></p>	<p><small>17 00</small></p>
<p>Arch Safa Amerat</p>	



Front Elevation

Details 1



Section A-A

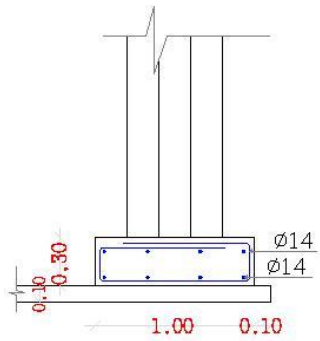
Side Elevation



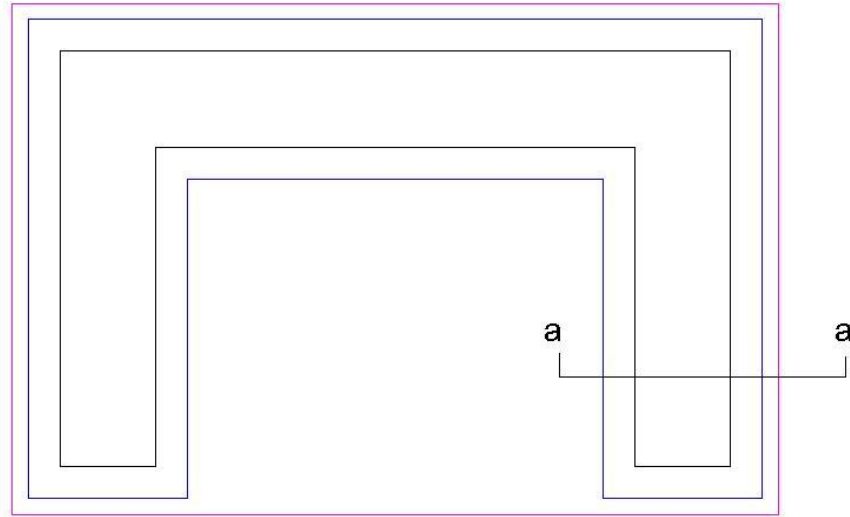
Petra

Perencanaan dan Konstruksi

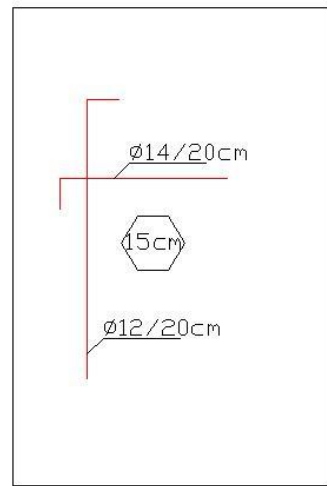
Kantor Kerja	
Jember & Ponorogo	
NO. 1000/2019	PROJ. 01
Rev. 01	01
Arsitek Stefan Amaret	



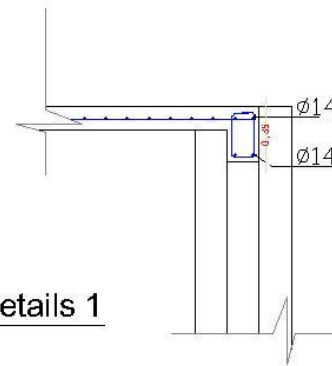
section a-a



Foundation



SLAB



Details 1